

ISSN 1727–6209

TERNOPIL NATIONAL ECONOMIC UNIVERSITY  
RESEARCH INSTITUTE OF INTELLIGENT COMPUTER SYSTEMS  
IN COOPERATION WITH V.M. GLUSHKOV INSTITUTE FOR  
CYBERNETICS, NATIONAL ACADEMY OF SCIENCES, UKRAINE

ТЕРНОПІЛЬСЬКИЙ НАЦІОНАЛЬНИЙ ЕКОНОМІЧНИЙ УНІВЕРСИТЕТ  
НАУКОВО-ДОСЛІДНИЙ ІНСТИТУТ ІНТЕЛЕКТУАЛЬНИХ  
КОМП'ЮТЕРНИХ СИСТЕМ  
У СПІВПРАЦІ З ІНСТИТУТОМ КІБЕРНЕТИКИ ІМ. В.М. ГЛУШКОВА,  
НАЦІОНАЛЬНА АКАДЕМІЯ НАУК УКРАЇНИ



---

---

International Journal of

**Computing**

Published since 2002

June 2012, Volume 11, Issue 2

---

---

Міжнародний науково-технічний журнал

**Комп'ютинг**

Видається з 2002 року

Червень 2012, Том 11, Випуск 2

---

---

Постановою президії ВАК України № 1-05/3 від 14 квітня 2010 року науково-технічний журнал "Комп'ютинг" віднесено до переліку наукових фахових видань України, в яких можуть публікуватися результати дисертаційних робіт на здобуття наукових ступенів доктора і кандидата технічних наук

Тернопіль  
ТНЕУ  
2012

# International Journal of Computing

June 2012, Vol. 11, Issue 2

Research Institute of Intelligent Computer Systems,  
Ternopil National Economic University

Registered by the Ministry of Justice of Ukraine.

Registration certificate of printed mass media – KB #17050-5820PR, 15.07.2010.

It's published under resolution of the TNEU Scientific Council, protocol # 8, May 30, 2012

## Editorial Board

### EDITOR-IN-CHIEF

**Anatoly Sachenko**

Ternopil National Economic University,  
Ukraine

### DEPUTY EDITOR-IN-CHIEF

**Volodymyr Turchenko**

Ternopil National Economic University,  
Ukraine

### ASSOCIATE EDITORS

**Svetlana Antoshchuk**

Odessa National Polytechnic University,  
Ukraine

**Plamenka Borovska**

Technical University of Sofia, Bulgaria

**Kent A. Chamberlin**

University of New Hampshire, USA

**Dominique Dallet**

University of Bordeaux, France

**Pasquale Daponte**

University of Sannio, Italy

**Mykola Dyvak**

Ternopil National Economic University,  
Ukraine

**Richard J. Duro**

University of La Coruña, Spain

**Vladimir Golovko**

Brest State Polytechnical University,  
Belarus

**Sergei Gorlatch**

University of Muenster, Germany

**Lucio Grandinetti**

University of Calabria, Italy

**Domenico Grimaldi**

University of Calabria, Italy

**Uwe Großmann**

Dortmund University of Applied  
Sciences and Arts, Germany

**Halit Eren**

Curtin University of Technology,  
Australia

**Vladimir Haasz**

Czech Technical University, Czech  
Republic

**Robert Hiromoto**

University of Idaho, USA

**Orest Ivakhiv**

Lviv Polytechnic National University,  
Ukraine

**Zdravko Karakehayov**

Technical University of Sofia, Bulgaria

**Mykola Karpinskyy**

University of Bielsko-Biala, Poland

**Volodymyr Kochan**

Ternopil National Economic University,  
Ukraine

**Yury Kolokolov**

UGRA State University, Russia

**Gennady Krivoula**

Kharkiv State Technical University of  
Radioelectronics, Ukraine

**Theodore Laopoulos**

Thessaloniki Aristotle University, Greece

**Fernando López Peña**

University of La Coruña, Spain

**Kurosh Madani**

Paris XII University, France

**George Markowsky**

University of Maine, USA

**Richard Messner**

University of New Hampshire, USA

**Yaroslav Nykolaiychuk**

Ternopil National Economic University,  
Ukraine

**Vladimir Oleshchuk**

University of Agder, Norway

**Oleksandr Palahin**

V.M.Glushkov Institute of Cybernetics,  
Ukraine

**José Miguel Costa Dias Pereira**

Polytechnic Institute of Setúbal, Portugal

**Dana Petcu**

Western University of Timisoara,  
Romania

**Vincenzo Piuri**

University of Milan, Italy

**Oksana Pomorova**

Khmelnitsky National University,  
Ukraine

**Peter Reusch**

University of Applied Sciences, Germany

**Sergey Ripa**

National University of State Tax Service  
of Ukraine, Ukraine

**Volodymyr Romanov**

V.M. Glushkov Institute of Cybernetics,  
Kiev, Ukraine

**Andrzej Rucinski**

University of New Hampshire, USA

**Bohdan Rusyn**

Physical and Mechanical Institute of  
Ukrainian NASU, Ukraine

**Rauf Sadykhov**

Byelorussian State University of  
Informatics and Radioelectronics,  
Belarus

**Jürgen Sieck**

HTW – University of Applied Sciences  
Berlin, Germany

**Axel Sikora**

University of Applied Sciences  
Offenburg, Germany

**Rimvydas Simutis**

Kaunas University of Technology,  
Lithuania

**Tarek M. Sobh**

University of Bridgeport, USA

**Volodymyr Tarasenko**

National Technical University of Ukraine  
“Kyiv Polytechnics Institute”, Ukraine

**Wiesław Winiecki**

Warsaw University of Technology,  
Poland

### Address of the Editorial Board

Research Institute of Intelligent Computer Systems  
Ternopil National Economic University  
3, Peremoga Square  
Ternopil, 46020, Ukraine

Phone: +380 (352) 47-5050 ext. 12234  
Fax: +380 (352) 47-5053 (24 hours)  
computing@computingonline.net  
www.computingonline.net

# Міжнародний журнал “Комп’ютинг”

Червень 2012, том 11, випуск 2

Науково-дослідний інститут інтелектуальних комп’ютерних систем  
Тернопільський національний економічний університет

Зареєстрований Міністерством юстиції України. Свідоцтво про державну реєстрацію друкованого засобу  
масової інформації – серія KB №17050-5820ПР від 15.07.2010.

Друкується за постановою вченої ради ТНЕУ, протокол № 8 від 30 травня 2012 року

## Редакційна колегія

### ГОЛОВНИЙ РЕДАКТОР

**Анатолій Саченко**

Тернопільський національний  
економічний університет, Україна

### ЗАСТУПНИК РЕДАКТОРА

**Володимир Турченко**

Тернопільський національний  
економічний університет, Україна

### ЧЛЕНИ РЕДКОЛЕГІЇ

**Світлана Антошук**

Одеський національний політехнічний  
університет, Україна

**Микола Дивак**

Тернопільський національний  
економічний університет, Україна

**Орест Івахів**

Національний університет “Львівська  
політехніка”, Україна

**Володимир Кочан**

Тернопільський національний  
економічний університет, Україна

**Геннадій Кривуля**

Харківський державний технічний  
університет радіоелектроніки, Україна

**Ярослав Николайчук**

Тернопільський національний  
економічний університет, Україна

**Олександр Палагін**

Інститут кібернетики ім.  
В.М. Глушкова НАНУ, Україна

**Оксана Поморова**

Хмельницький національний  
університет, Україна

**Сергій Рінпа**

Національний університет державної  
податкової служби України, Україна

**Володимир Романов**

Інститут кібернетики ім.  
В.М. Глушкова НАНУ, Україна

**Богдан Русин**

Фізико-механічний інститут НАНУ,  
Україна

**Володимир Тарасенко**

Національний технічний університет  
України “Київський політехнічний  
інститут”, Україна

**Plamenka Borovska**

Technical University of Sofia, Bulgaria

**Kent A. Chamberlin**

University of New Hampshire, USA

**Dominique Dallet**

University of Bordeaux, France

**Pasquale Daponte**

University of Sannio, Italy

**Richard J. Duro**

University of La Coruña, Spain

**Vladimir Golovko**

Brest State Polytechnical University,  
Belarus

**Sergei Gorlatch**

University of Muenster, Germany

**Lucio Grandinetti**

University of Calabria, Italy

**Domenico Grimaldi**

University of Calabria, Italy

**Uwe Großmann**

Dortmund University of Applied  
Sciences and Arts, Germany

**Halit Eren**

Curtin University of Technology,  
Australia

**Vladimir Haasz**

Czech Technical University, Czech  
Republic

**Robert Hiromoto**

University of Idaho, USA

**Zdravko Karakehayov**

Technical University of Sofia, Bulgaria

**Mykola Karpinsky**

University of Bielsko-Biala, Poland

**Yury Kolokolov**

UGRA State University, Russia

**Theodore Laopoulos**

Thessaloniki Aristotle University, Greece

**Fernando López Peña**

University of La Coruña, Spain

**Kurosh Madani**

Paris XII University, France

**George Markowsky**

University of Maine, USA

**Richard Messner**

University of New Hampshire, USA

**Vladimir Oleshchuk**

University of Agder, Norway

**José Miguel Costa Dias Pereira**

Polytechnic Institute of Setúbal, Portugal

**Dana Petcu**

Western University of Timisoara,  
Romania

**Vincenzo Piuri**

University of Milan, Italy

**Peter Reusch**

University of Applied Sciences, Germany

**Andrzej Rucinski**

University of New Hampshire, USA

**Rauf Sadykhov**

Byelorussian State University of  
Informatics and Radioelectronics,  
Belarus

**Jürgen Sieck**

HTW – University of Applied Sciences  
Berlin, Germany

**Axel Sikora**

University of Applied Sciences  
Offenburg, Germany

**Rimvydas Simutis**

Kaunas University of Technology,  
Lithuania

**Tarek M. Sobh**

University of Bridgeport, USA

**Wiesław Winięcki**

Warsaw University of Technology,  
Poland

### Адреса редакції :

НДІ інтелектуальних комп’ютерних систем  
Тернопільський національний економічний університет  
площа Перемоги, 3  
Тернопіль, 46020, Україна

Тел.: 0 (352) 47-50-50 внутр. 12234  
Факс: 0 (352) 47-50-53  
computing@computingonline.net  
www.computingonline.net

## CONTENTS

<b>A. Sachenko</b> Editorial .....	95
<b>M. Sirola, J. Talonen</b> Self-Organizing Map Based Visualization Techniques and Their Assessment .....	96
<b>M. Polyakova</b> Extraction of Left Ventricular Contours from Ventriculograms with Labeling of Image Pixels by Active Contours .....	104
<b>M. Amoon</b> Fault Tolerance in Grids Using Job Replication .....	115
<b>A. Bilenko, V. Sitnikov</b> Reconfigurable Cell-Array (RCA) Based Computer System with Cell Specialization .....	122
<b>S. Chepure, Guru Rao C.V., P.G. Benakop</b> On CHIP Memory Reduction Technique for Data Dominated Embedded Systems .....	130
<b>G. Shcherbacova, V. Krylov, O. Logvinov</b> The Probabilistic Neural Net Neuron's Number Calculations .....	137
<b>T. Grynchyshyn, Y. Nikolaychuk</b> Simulations of Processors for Forming and Digital Signal Processing in Computer Systems with Open Optical Channels .....	145
<b>Y. Shapovalov, B. Mandziy, D. Smal</b> Frequency Symbolic Method of Assessment of Asymptotic Stability of Linear Time-Variable Circuits .....	156
Abstracts .....	166
Information for Papers Submission to Journal .....	171

---

## ЗМІСТ

<b>А. Саченко</b> Редакційна стаття .....	95
<b>М. Sirola, J. Talonen</b> Методи візуалізації на основі самоорганізовуваних карт та їх оцінка .....	96
<b>М. Полякова</b> Виділення контурів лівого шлуночка на вентрикулограмі з розміткою точок зображення методом активних контурів .....	104
<b>М. Амооп</b> Відмовостійкість в Грід з використанням реплікації робіт .....	115
<b>А. Біленко, В. Ситников</b> Реконфігурована система на основі однорідної обчислювальної системи із спеціалізацією комірок .....	122
<b>S. Cherpure, Guru Rao C.V., P. G. Benakop</b> Технологія зменшення пам'яті чіпа для вбудовуваних систем з домінуванням даних .....	130
<b>Г. Щербакова, В. Крилов, О. Логвинов</b> Визначення кількості нейронів ймовірнісної нейронної мережі .....	137
<b>Т. Гринчишин, Я. Николайчук</b> Моделювання процесорів формування та цифрового оброблення сигналів в комп'ютерних системах з відкритими оптичними каналами .....	145
<b>Ю. Шаповалов, Б. Мандзій, Д. Смаль</b> Частотний символний метод оцінки асимптотичної стійкості лінійних параметричних кіл .....	156
Резюме .....	166
Інформація для оформлення статей до журналу .....	171

---

## СОДЕРЖАНИЕ

<b>А. Саченко</b> Редакционная статья .....	95
<b>M. Sirola, J. Talonen</b> Методы визуализации на основе самоорганизующихся карт и их оценка .....	96
<b>М. Полякова</b> Выделение контуров левого желудочка на вентрикулограмме с разметкой точек изображения методом активных контуров .....	104
<b>M. Ahoon</b> Отказоустойчивость в Грид с использованием репликации работ .....	115
<b>А. Биленко, В. Ситников</b> Реконфигурируемая система на основе однородной вычислительной системы со специализацией ячеек .....	122
<b>S. Cherpure, Guru Rao C.V., P. G. Benakop</b> Технология уменьшения памяти чипа для встраиваемых систем с доминированием данных .....	130
<b>Г. Щербакова, В. Крылов, О. Логвинов</b> Определение числа нейронов вероятностной нейронной сети .....	137
<b>Т. Гринчишин, Я. Николайчук</b> Моделирование процессоров формирования и цифровой обработки сигналов в компьютерных системах с открытыми оптическими каналами .....	145
<b>Ю. Шаповалов, Б. Мандзий, Д. Смаль</b> Частотный символьный метод оценки асимптотической устойчивости линейных параметрических цепей .....	156
Резюме .....	166
Информация для оформления статей в журнал .....	171

---

## FOREWORD

Dear Readers,

It's my pleasure to welcome all of you to the International Journal of Computing, Issue 2, 2012 which is celebrating the 10th anniversary. It is a tribute to the Editorial Board, the reviewers and the authors who have made the untiring effort to provide a success for the IJC.

There are some achieves for the 10 years way: the IJC is ranked by the Ukrainian government in 2003 as a Professional Journal, and it was re-ranked in 2010. Since 2010 the IJC is issued quarterly, and its content is published in the three languages: English and Ukrainian and Russian. The Journal has a good link with the IEEE Conference on Intelligent Data Acquisition and Advanced Computing Systems [www.idaacs.net](http://www.idaacs.net) and some other IEEE Conferences and Workshops publishing their selected papers within the IJC Special Issues. The Journal is

distributed in Europe, North America, Asia and Africa and we have a stable cooperation with numerous Universities there.

In this Issue we collected regular papers which reflect the most of the IJC topics. Meantime I would like to thank very much the reviewers of regular papers.

We are always looking for ways to improve the Journal, so please give any suggestions about improving the IJC and we will consider that.

Thank you for your interest and support.

Enjoy this Issue of the IJC!

Editor in Chief

Anatoly Sachenko



*Anatoly Sachenko  
International Journal of Computing  
Editor-in-Chief  
Research Institute of Intelligent Computer Systems  
Ternopil National Economic University  
3 Peremoga Square  
Ternopil 46004 Ukraine  
Phone: +380352-475050 ext.12322  
Fax: +380352-475053 (24 hrs.)  
[as@tneu.edu.ua](mailto:as@tneu.edu.ua)*



## SELF-ORGANIZING MAP BASED VISUALIZATION TECHNIQUES AND THEIR ASSESSMENT

Miki Sirola, Jaakko Talonen

Aalto University, Department Information and Computer Science, PO Box 15400, Finland  
Miki.Sirola@tkk.fi, users.ics.tkk.fi/miki, Jaakko.Talonen@tkk.fi

**Abstract:** *Our research group has been studying data-analysis based techniques in decision support and visualization. We had a long industrial research project in co-operation with a Finnish nuclear power plant Olkiluoto. We developed many decision support schemes based on Self-Organizing Map (SOM) method combined with other methodologies. Also several visualizations based on various data-analysis methods were developed. Data from the Olkiluoto plant and training simulator was used in the analysis. In this paper some of these visualizations are presented, analyzed, and assessed with a psychological framework. Measuring the information value of the visualizations is a real challenge. The developed visualizations and visualization techniques are also compared with some existing visualizations and techniques in current plants and research laboratories. The visualizations and the visualization techniques are developed further, and completely new visualizations and techniques are developed. We point out what additional value the new visualization techniques can produce. A detailed test case of using Self-Organizing Map (SOM) method with Olkiluoto plant data is presented. With this practical example the information value of this method is shown, and it is also pointed out how it can be assessed, and what are the most reliable criteria in this assessment.*

**Keywords:** *self-organizing map; data analysis; neural methods; visualization.*

### 1. INTRODUCTION

The visualization in process industry is a tricky issue. The need for presenting the information content in the control rooms has changed along the developing technology and with time. In nuclear industry, many modernization projects have been carried out. For instance, wide monitoring screens set up many new requirements for the presentation techniques, and open new possibilities as well.

Early fault detection is an important research issue in the nuclear industry. The earlier the abnormal behaviour in the process is detected, the better possibilities there are to identify the problem in time and handle the recovery procedure properly. We have developed tools for helping operators in their work, and to help experts to understand better different phenomena in the process [1].

Prototyping has been one important research methodology used in our research group. In many prototypes a neural method self-organizing map is used and combined with other more or less traditional methods [1]. We have also done traditional data analysis with nuclear power plant data and training simulator data, and developed

methods and tools for helping decision support in the nuclear field. Visualization is an important part of this research. Many tools and methods could be easily generalized or modified to other application areas as well.

Process failure detection with complex data analysis methods is a widely studied research area. Also about process presentation and visualization other studies are made. For instance, in the nuclear field [2] and other industrial branches [3], [4] many techniques have been developed. Decision support visualizations [5], [6] are also presented in the literature.

In this paper, we study the use of the self-organizing map [7] in visualization of process data in dynamic systems. Also user interface and visualization assessment are discussed. Assessment criteria are presented and compared. In a case example with the Olkiluoto nuclear power plant data, we show the information value of the method also in more practical sense. Two data sets from the same transient event are studied: one from the turbine section and one from the reheater section of the plant.



## 2. SELF-ORGANIZING MAP IN DYNAMIC SYSTEMS

Self-organizing map (SOM) is an effective method in neural computing for the analysis and visualization of multidimensional data. The SOM algorithm [7] resembles vector quantization (VQ) algorithms. The difference with regard to VQ techniques is that the neurons are organized on a regular grid and along with the selected neurons also its neighbours are updated. The SOM performs an ordering of the neurons. The SOM is a multidimensional scaling method projecting data from input space to a lower, typically 2-dimensional output space.

A SOM consists of neurons organized in an array. The number of neurons may vary. Each neuron is represented by an  $n$ -dimensional weight vector,  $m = [m_1, \dots, m_n]$ , where  $n$  is equal to the dimension of the input vector. The neurons are connected to adjacent neurons by a neighbourhood relation, which defines the structure of the map. Rectangular and hexagonal neighbourhoods are the most used topologies.

The SOM is trained iteratively. In each training step, one sample vector  $x$  from the input data set is chosen randomly and the distance between it and all the weight vectors of the SOM are calculated using some distance measure. The neuron  $c$  whose weight vector is closest to the input vector  $x$  is called the Best-Matching Unit (BMU):

$$\|x - m_c\| = \min_i \{\|x - m_i\|\} \quad (1)$$

where  $\|\cdot\|$  is the distance measure.

Since BMU is found, the weight vectors of SOM are updated so that the BMU is moved closer to the input vector in the input space. The topological neighbours of the BMU are treated in a similar way. The adaptation procedure stretches the BMU and its topological neighbours toward the sample vector. The SOM update rule for the weight vector of the unit  $i$  is:

$$m_i(t+1) = m_i(t) + h_{ci}(t)[x(t) - m_i(t)] \quad (2)$$

where  $t$  is time. The  $x(t)$  is the input vector randomly drawn from the input data set  $t$  and  $h_{ci}(t)$  the neighbourhood kernel around the winner unit  $c$  at time  $t$ . The neighbourhood kernel is a non-increasing function of time and the distance of unit  $i$  from the winner unit  $c$ . It defines the region influence that the input sample has on the SOM.

Originally the SOM algorithm was not designed for changing time. The SOM is able to analyze ideally only static data sets. Many attempts to use

the SOM method in the analysis of dynamic data have been done. It has been used in many time-related problems especially in process modelling and monitoring. These issues are discussed for instance in [8].

One possibility to describe dynamical behaviour is the visualization of trajectories, which link together the adjacent winner neurons (BMU) in the SOM grid. The SOM trajectories have such features as linked BMUs, where each BMU represents a certain instant of time. The operator can learn to adjust the control variables according to the visual impression so that the process stays in the desired regions of the map.

An example of using trajectory expression in a dynamic system is in Figure 1. Here the trajectory of the U-matrix shows visually how an imaginary accident scenario proceeds in a nuclear power plant. The data come from the Finnish Olkiluoto nuclear power plant training simulator. In normal operation the trajectory stays in a certain region in the U-matrix, but when the transient becomes big enough the trajectory moves out to another region. In the example of Figure 1 there is a leak in the main circulation. Different scenarios are somewhat separable in the U-matrix [9].

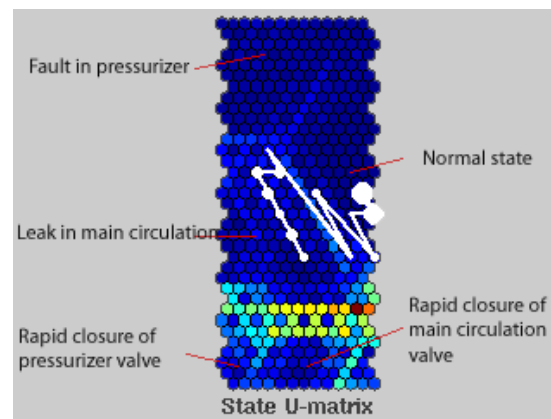


Fig. 1 – Dynamical behavior in the process is shown by U-matrix trajectory

More examples about handling spatio-temporal problems with the SOM method are written in [1]. In section V we go through an industrial case example where the SOM method is used with data from a Finnish nuclear power plant.

## 3. USER INTERFACE AND VISUALIZATION ASSESSMENT

In control room various things need to be shown to the operator. Typical displays in the control rooms of process industry are such as process chart, task display, trend chart, alarm list, event display, report chart, sequence display, maintenance display and diagnostic display [10].

In many psychological studies operators decision making is looked from several points of view. In cognitive ergonomics, the model of operator decision making is defined by the following steps: activation, detection, recognition, interpretation, task definition, selection of performance rule and task realization [10].

The situation awareness of an operator may be restricted by attention reduction, limitations of short memory, work load, threat, fatigue, stress, information overload, complexity, flawed mental model, out of the loop, etc. The requirements for process control are based on dynamical issues, complexity issues and uncertainty issues. The state properties are physical, social and virtual. [10]

Assessment is a part of the design process. To ensure that the ergonomic requirements are taken into account, following things are concerned: systematic approach, ergonomics part of the interdisciplinary design process, operation concept as design core, assessment enabling iterative operations, and user organization participation.

There are certain principles to the coherence and recognition in the displays. Functionality is one property in visual expression. The functionalities between human and computer can be divided according to security criteria, competence, cognitive and affective criteria, tasks, etc. The displays should be clear and readable, and adequate.

Assessment is done in many phases in the design process. Important assessment criteria are compatibility, information clarity, situation awareness, controllability, mental load, support group work, understandability, error density, limit marginal, and the structure of control room [10].

Commonly used assessment methods are “walk through” and “talk through” observation. Other methods are such as expert opinion, experimental methods, physical measurements, assessment of alteration, and paper and pen techniques: ergonomic check lists, use of history data, task analysis and qualitative reliability analysis.

Commonly accepted principles in the assessment are: verification and validation should be part of the design process, importance of preplanning, realistic coverage, availability of assessment material, expertise; practical, systematic, and well documented methods, quantitative methods when possible, and documentation. [10]

Detailed requirements of displays are defined in standards. Alarm handling is one special case. Risk analysis is one method used. Safety in abnormal situations is very important.

Basic criteria for usability are productivity, efficiency and pleasure [11]. Five quality components are defined as learning, efficiency, memory, error rate, pleasure and profit. Availability,

attractiveness, ease of use, accessibility, user experience and use experience are also important.

Ten usability heuristics are defined as [11]: Visibility of system status, match between system and the real world, user control freedom, consistency and standards, error prevention, recognition rather than recall, flexibility and efficiency of use, aesthetic and minimalistic design, user help in recognition, diagnose and recover from errors, help and documentation. These heuristics are not used in our examples, unless they overlap with the other criteria mentioned in this paper.

The measurement of usability is based on satisfaction, learning, remembering, errors and efficiency. In addition conservation, flexibility, tiredness, concentration and various positions can be measured.

A user interface can be consistent or innovative. The assessment can be done by cognitive methods, scenario based or by empirical testing.

In assessment the following things are checked: observable options, understandability, data ordering, data consistency, control equipment, interaction, performance and load, acceptability, assembly and connectivity, other information and guidance. Assessment tools are tools for testing, checking, requesting, modeling and simulation. Automation of assessment is difficult.

#### **4. ASSESSMENT CRITERIA AND THEIR COMPARISON**

Some assessment criteria have been listed already in the previous section. In [12] is defined a comprehensive “placeness profile”, which includes a large amount of user interface properties. Part of them can be considered as criteria for user interface and visualization assessment as well. Three types of control room concepts (or metaphors) are used: illustrative control room, interactive control room and boundless control room.

In [12] there are defined more than fifty properties, but here we concentrate on only the most interesting ones. We have picked up real-time information, trend information, illustration of parameter relations, some criteria about transients, predictive information, history of events, monitoring and set point criteria, accuracy and feedback of operation, spatial relations, multi-unit connections, remote operations, allocation of tasks and operational experience for our analysis. Some of these properties and criteria are paid more attention than the others. These properties and criteria partly overlap with the criteria mentioned already in the previous section.

In Figure 2 is seen a component plain representation of a trained SOM in a leak scenario,

where the process starts in normal state and progress to partial reactor shutdown state. The component planes are corresponding (a) normal state, (b) leakage state, (c) partial reactor shut down state, (d) reactor shutdown state, and (e) progress. Dark colour on a shell indicates high component value. The trajectory depicts a sequence of observations from a data set from Finnish nuclear power plant Olkiluoto training simulator mapped on the SOM. This example is presented more in detail in [1].

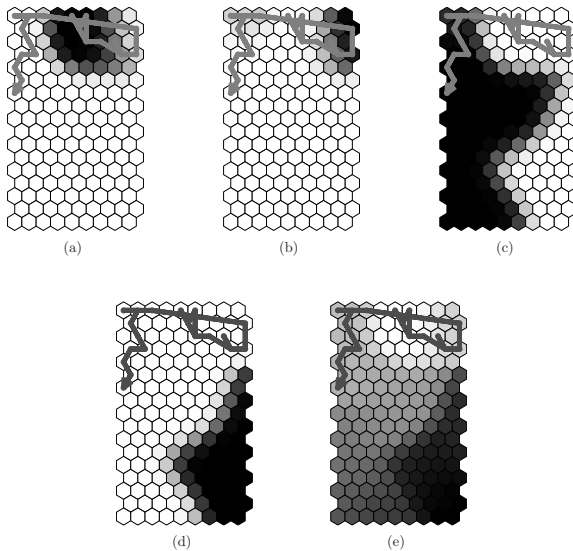


Fig. 2. – Our visualization where a trajectory shows the dynamical behaviour in a SOM map

Reflecting our visualization example against the defined assessment criteria, it can be noticed that certainly general criteria information clarity and understandability are very important. Also compatibility, error density and limit marginal make sense. If the operator is familiar with this concept, this visualization also increases the situation awareness. On the other hand it is very difficult to estimate the mental load or the structure of the control room, which need completely different methods and tools to be measured.

From the placeness profile properties the most interesting ones for the example are real-time information, transients, predictive information, history of events and monitoring. The rest of the criteria are here for less interest. The placeness profile as a whole could be considered as one potential psychological method to be used in the assessment of SOM visualizations in general, and in production of some kind of measurement framework for this purpose as well.

## 5. USING INDUSTRIAL DATA IN A CASE EXAMPLE

In our newest research, real data from the reactor unit 1 of Olkiluoto nuclear power plant (NPP) have been used. In April 2009, more than 700 signals were stored, every tenth second. In a six-hour period, a change in a valve position was performed. Changes of the process signals in the reheater section and other parts of the NPP were captured in the recorded data. In this example, signal measurements at the main pipelines of turbine section (413x) are analyzed. These signals are located after the reheater. The position of the control valve at the reheater was changed. At 8 – 10 p.m. process was controlled manually, at 10 – 12 p.m. after the first part of the measurements the process was stabilized. Then the control valve was opened for two hours.

In this example it is shown how to use the SOM method to observe changes between the process signals. Which are the signal values in each state? Which signals depend on the others? In the variable selection phase, all signals from the turbine section were selected, totally 42 signals. In our visualization 10 signals were selected from the turbine, see Table 1 and Figure 3.

Table 1. Explanation for the Signal Measurements and Their Units in the Turbine Section

Signal name	Explanation	Unit
413K567	steam temperature before reheater 1	C
413K568	steam temperature before reheater 2	C
413K576	water pipes	C
413V501	valve position	%
413V505OM	control piston position	%
413V513	control piston position	%
413K573	water pipes	C
413K574	water pipes	C
413V501OM	control piston position	%
413V503	valve position	%

The effect of the control valve test in the reheater part is visualized by SOM component planes. Signal dependencies can be examined. Roughly, it seems that the steam temperatures before the reheater are negatively correlated with the control piston and the valve positions. However, the control piston position 413V513 correlates positively with temperatures. The component planes show the limits for current process signal values.

The visual inspection of the U-matrix and labeling is shown in Figure 4. From the U-matrix visualization, it can be seen that there are essentially three clusters: manual control, the first hour of stabilization period and in the same cluster the second hour of stabilization, and when the control valve is open.

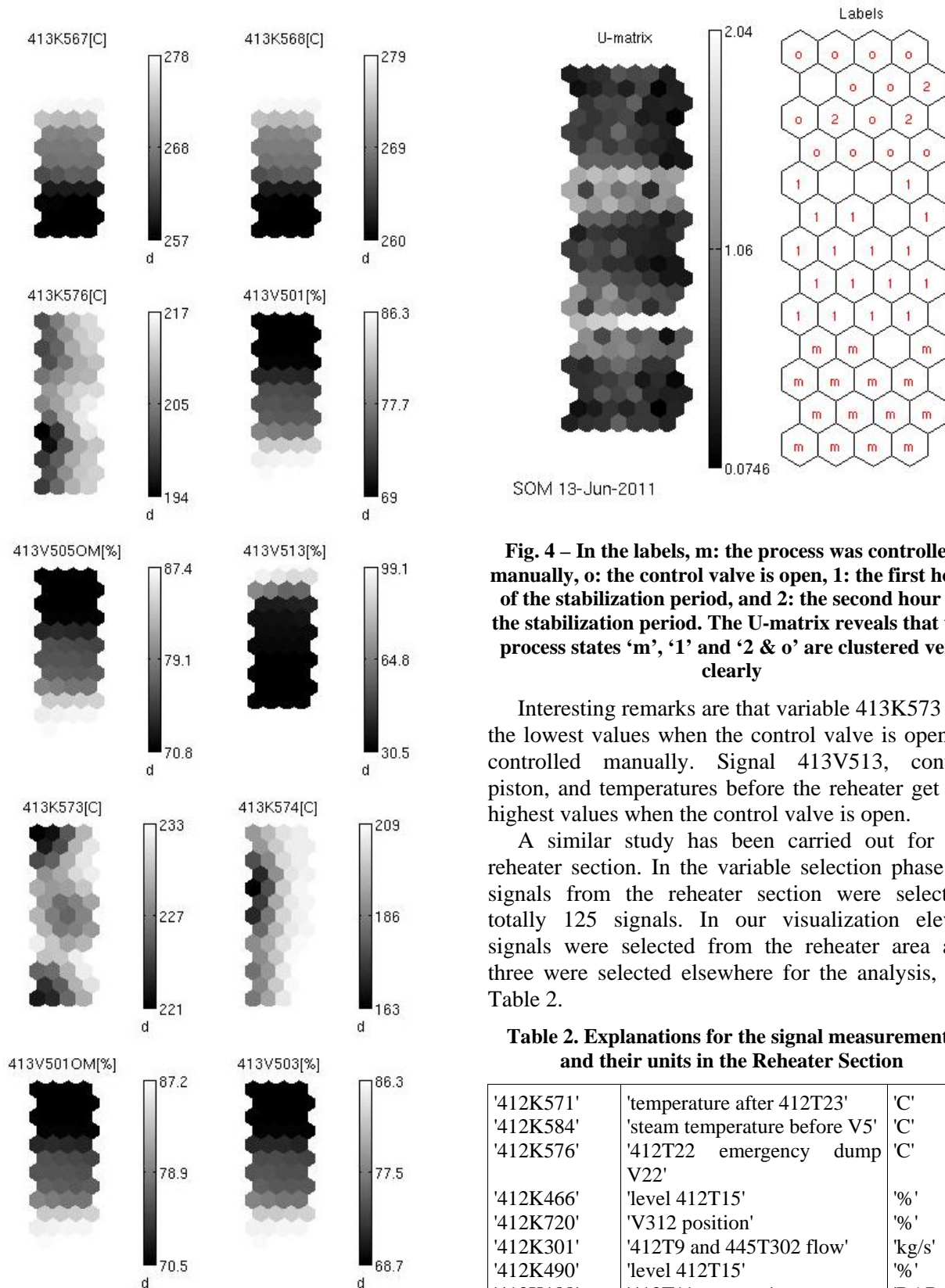


Fig. 3 – In the turbine section 10 process signals were monitored. Denormalized scales are shown on the right side of the component planes

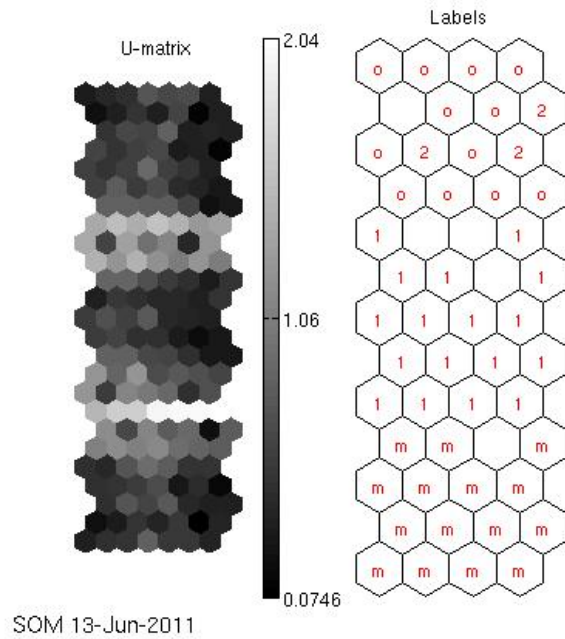


Fig. 4 – In the labels, m: the process was controlled manually, o: the control valve is open, 1: the first hour of the stabilization period, and 2: the second hour of the stabilization period. The U-matrix reveals that the process states ‘m’, ‘1’ and ‘2 & o’ are clustered very clearly

Interesting remarks are that variable 413K573 has the lowest values when the control valve is open or controlled manually. Signal 413V513, control piston, and temperatures before the reheater get the highest values when the control valve is open.

A similar study has been carried out for the reheater section. In the variable selection phase all signals from the reheater section were selected, totally 125 signals. In our visualization eleven signals were selected from the reheater area and three were selected elsewhere for the analysis, see Table 2.

Table 2. Explanations for the signal measurements and their units in the Reheater Section

'412K571'	'temperature after 412T23'	'C'
'412K584'	'steam temperature before V5'	'C'
'412K576'	'412T22 emergency dump V22'	'C'
'412K466'	'level 412T15'	'%'
'412K720'	'V312 position'	'%'
'412K301'	'412T9 and 445T302 flow'	'kg/s'
'412K490'	'level 412T15'	'%'
'412K188'	'412T11 pressure'	'BAR G'
'412K705'	'V41 position'	'%'
'412K517D'	'rate of change 412E1 phase 2'	'C/MIN'
'412K513D'	'rate of change 412E2 phase 1'	'C/MIN'
'431K457'	'condenser 431E1 level'	'm'
'431K551'	'condenser 431E1 temperature'	'C'
'413V501xM'	'average of piston positions'	'%'

The control valve test in the reheater part did not affect to the reactor pressure and steam flows. They are situated before the reheater and many other process parts. The condenser is located after the reheater and before the reactor. Three signals shown in the last rows of Table II were selected, because signal measurements are after the reheater. Last signal is derived from the redundant measurement. Four measurements are averaged. Next step in the analysis is the visual inspection of the U-matrix, component planes and labeling, see Figure 5.

From the U-matrix visualization, it can be seen that there are essentially three clusters (process was controlled manually, the stabilization period and the control valve is open). The component planes show the limits for current process signal values. Also '412K571', '412K584' and '412K576' in the reheater part have high linear correlation with the condenser and the vacuum system part signal '431K551'. Other interesting remark is that another variable '431K457' from this area has the highest values in the end of the stabilization period. In other words, the level of the condenser is the highest after four hours the experiments were started, although the highest temperature was detected at the end of the experiments.

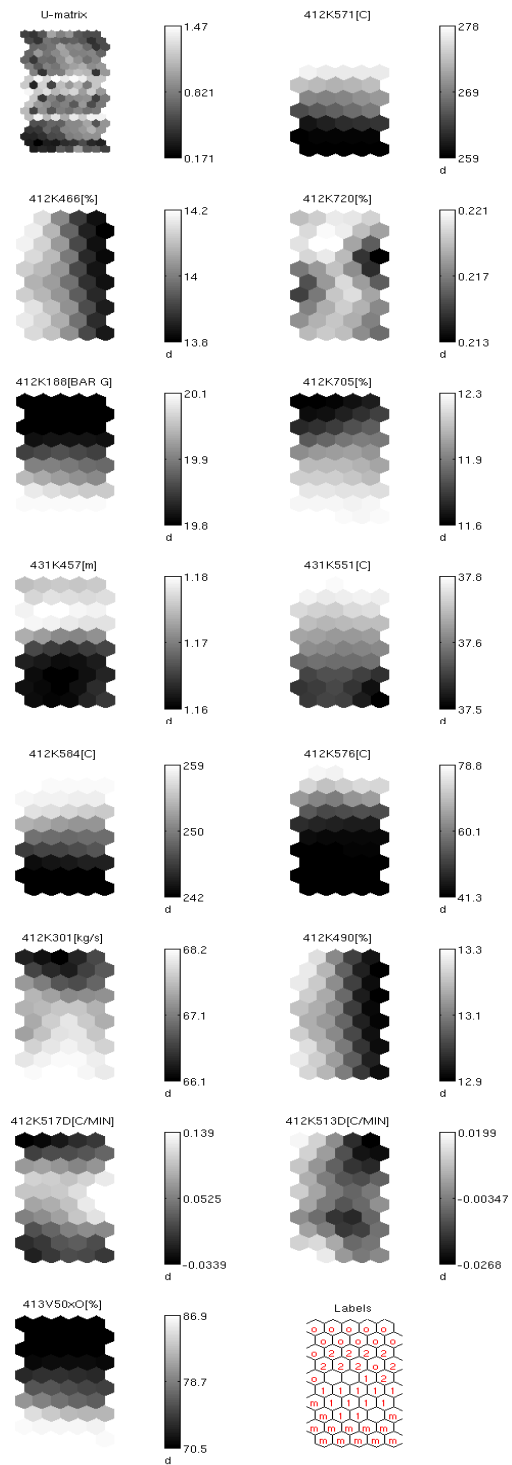
More exact analysis can be done by the principal component projection, see Figure 6. For example, '412K466' and '412K490' get higher values when the control valve is open than when it is controlled manually.

Both data sets in this case example are from the same event. Logical behaviour in both components in this respect can be identified. The similarities noticed have a clear basis.

### 6. DISCUSSION

With the SOM method the dynamical development of the process can be seen by using the U-matrix trajectories, and the clustering structure of the data with the U-matrix itself [1]. The correlations of certain variables are seen with the component plane SOM maps. The faulty development in the data can be detected for instance with the quantization error.

The shape of the SOM map also reveals important things about the distribution of the data, if the shape of the map is not restricted or prohibited. Detecting the pre-stage of the fault is possible with various ways [1]. The visualization of the process and its progression with SOM maps, and leak detection with an adaptive process model are also discussed in [1].



**Fig. 5 – In the reheater section 14 process signals were monitored. In the labels, m: the process was controlled manually, o: the control valve is open. 1: the first hour of stabilization period and 2: the second hour of the stabilization period. The U-matrix reveals that the process states 'm' and 'o' are clustered very clearly. The SOM component planes show the values for each process state**

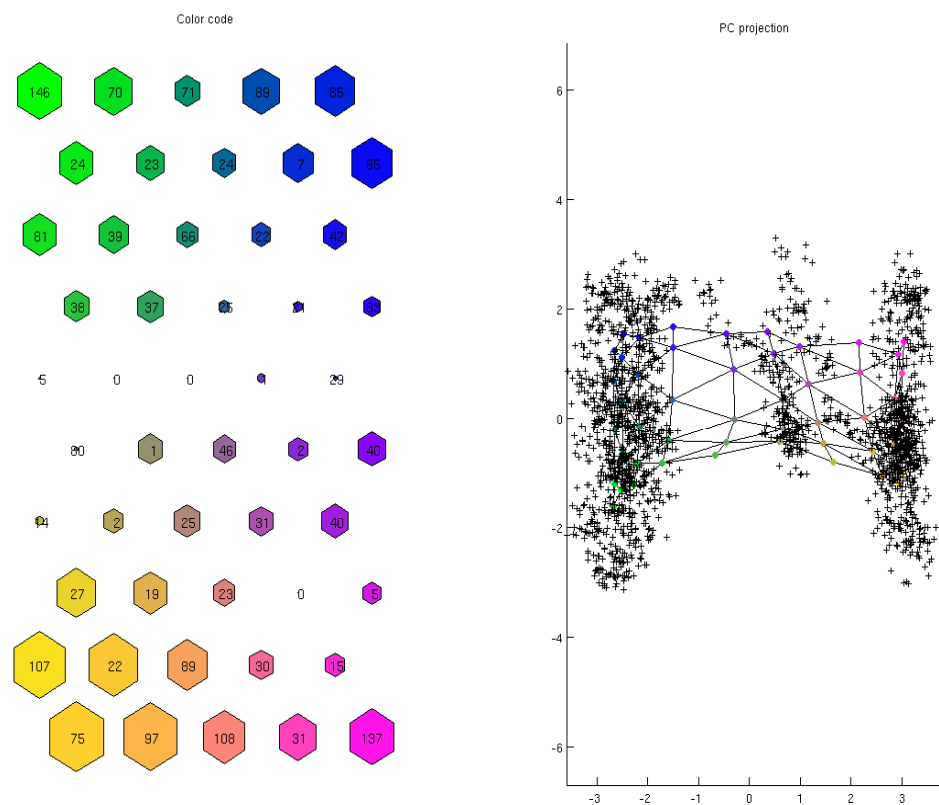
Comparing the SOM method with the PCA (Principal Component Analysis) method [13] we noticed that with the SOM method the non-linear behavior is seen better than with the PCA method, which is able to show only the linear dependence.

To assess the information value of SOM maps and other visualizations that we have used is very difficult. To find out concrete measurable criteria here is almost impossible. Qualitative assessment with qualified criteria is more tempting option than trying to develop systematic quantitative measuring methods. This kind of analysis we have done with some example visualizations.

The assessment criteria we have used in Section III and Section IV can be applied also with the SOM

concept used in the industrial case example in Section V. As we did not discover very many new observations compared with the already earlier analyzed example, we did not complete that analysis here any further. Interesting viewpoints were detected though to be realized in becoming further studies.

Some further co-operation is planned with a psychology group in the Finnish Technical Research Centre, and research groups in the Norwegian OECD Halden Reactor Project (Institut for Energiteknikk) within this topic.



**Fig. 6 – A principal component projection (PCP). The color map is another type of visualization for U-matrix.**

**Distance matrix information is shown as zero hits for each part of the map (number inside the object). The longer distances are visualized by smaller objects. From the PCP three different clusters can be detected. The first and the last points of the stabilization cluster are situated near to the other two clusters**

## 7. CONCLUSION

We have shown with a case example by using industrial data the information value of the self-organizing map in the process visualization. With some verbal comparisons, we have tried to differentiate this method from some other commonly used methods. The information value can be clearly seen although the use of this method in a real control

room would need special attention and capabilities from the operators. The operator training would therefore meet new challenges.

The measurement of the information value with any concrete way is a very difficult task. Some useful criteria can be found to estimate these values. We have made some reflections to psychological studies in this respect.

There are a lot of open questions and demanding challenges studying this issue further in the future. The SOM method alone is not enough to find out all necessary information out of the process, but it can add additional information value compared with many more traditional methods. The best results can be achieved by using many different methodologies in a well-selected combination.

## 8. References

- [1] M. Sirola, J. Talonen, J. Parviainen, G. Lampi, Decision support with data-analysis methods in a nuclear power plant, *TKK Reports in Information and Computer Science*, TKK-ICS-R29, Espoo, 2010, 23 p.
- [2] J. Paulsen, *Design of process displays based on risk analysis techniques*, PhD thesis, Technical University of Denmark and Risø National Laboratory, Roskilde, 2004.
- [3] J. Vesanto, *Data explanation process based on the self-organizing map*, PhD thesis, Helsinki University of Technology, 2002.
- [4] S. Laine, *Using visualization, variable selection and feature extraction to learn from industrial data*, PhD thesis, Helsinki University of Technology, 2003.
- [5] E. Kazancioglu, K. Platts, P. Caldwell, Visualization and visual modeling for strategic analysis and problem solving, *Proceedings of International Conference on Information Visualization (IV 05)*, IEEE, 2005.
- [6] O. Kwon, K.-Y. Kim, K. C. Lee, *MM-DSS: integrating multimedia and decision-making knowledge in decision support systems*, Expert Systems with Applications, Elsevier, 2006.
- [7] T. Kohonen, *The self-organizing map*, Springer, 1995.
- [8] G. Barreto, A. Araujo, H. Ritter, Time in self-organizing maps: an overview of models, *International Journal of Computer Research*, 2001.
- [9] M. Sirola, G. Lampi, J. Parviainen, Failure detection and separation in SOM based decision support, *Workshop on Self-Organizing Maps (WSOM)*, Bielefeld. 2007.
- [10] H. Heimbürger et. al., *Control room – design principles and practices*, Suomen Automaatioseura ry, Helsinki, 2010, 268 p. (in Finnish)

- [11] J. Nielsen, R. Molich, Heuristic evolution of user interfaces, *ACM CHI conference*, Seattle, 1990.
- [12] H. Koskinen, L. Norros, *Expanding control room – a new frame for designing spatial affordances of control places*, VTT-R-05555-10, 2010, 41 p.
- [13] J. Hair, R. Anderson, R. Tatham, W. Black, *Multivariate Data Analysis*, Prentice Hall, 5th edn., 1998.



**Miki Sirola** has been a Laboratory Engineer in the Laboratory of Computer and Information Science in Helsinki University of Technology since 1998, currently the Department of Information and Computer Science in Aalto University. He received MSc 1988 in Electrical Engineering (System Control and Automation) from Helsinki University of Technology, LicTech 1993 in Electrical Engineering (Automation) and DTech 1999 in Automation and System Technology (Automation) from the same university. Prior to Helsinki University of Technology, he worked at VTT (Technical Research Centre of Finland) Automation as research scientist (1987-1998) and at Institutt for Energiteknikk (OECD Halden Reactor Project) as research scientist (1992-1993). He was nominated a Docent in Computerized Decision Support in 2005 in the Department of Computer Science and Engineering in Helsinki University of Technology, and a Docent in the same field in Aalto University in 2011. (From the beginning of 2010 Helsinki University of Technology assembled with two other Finnish universities to Aalto University).



**Jaakko Talonen** is a PhD student in the Department of Computer and Information Science in Aalto University. He received MSc 2007 in Chemical Technology in Helsinki University of Technology. He has been working in a large Finnish research project with an industrial partner Teollisuuden Voima Oy Olkiluoto nuclear power plant from 2006 to 2009. His research interests are data visualization and time series modelling.



## ВЫДЕЛЕНИЕ КОНТУРОВ ЛЕВОГО ЖЕЛУДОЧКА НА ВЕНТРИКУЛОГРАММЕ С РАЗМЕТКОЙ ТОЧЕК ИЗОБРАЖЕНИЯ МЕТОДОМ АКТИВНЫХ КОНТУРОВ

**Марина Полякова**

Одесский национальный политехнический университет,  
пр. Шевченко, 1, Одесса, 65044, Украина,  
marina\_polyakova@rambler.ru

**Резюме:** Разработан метод выделения контуров левого желудочка сердца на вентрикулограммах, полученных путем рентгеноконтрастного исследования сердца ангиографической системой. Предложенный метод включает подчеркивание контуров левого желудочка при помощи репагулярного вейвлет-преобразования и разметку точек изображения с использованием активных контуров. Это позволяет снизить ошибку выделения контура и области левого желудочка.

**Ключевые слова:** вейвлет-преобразование, левая вентрикулограмма, метод активных контуров.

## EXTRACTION OF LEFT VENTRICULAR CONTOURS FROM VENTRICULOGrams WITH LABELING OF IMAGE PIXELS BY ACTIVE CONTOURS

**Marina Polyakova**

Odessa National Polytechnic University,  
1, Shevchenko avenue, Odessa, 65044, Ukraine,  
marina\_polyakova@rambler.ru

**Abstract:** The method of the extraction of left ventricular contours is developed for ventriculograms which obtained by radiological research of heart with the angiographic system. The proposed method includes the underlining of left ventricular contours through the repagular wavelet transform and labeling the pixels of image by active contours that reduced the error of detection of the edge and the area of left ventricle.

**Keywords:** wavelet transform, left ventriculogram, active contours.

### ВВЕДЕНИЕ

По статистике среди общей смертности в Украине сердечно-сосудистые заболевания составляют 62,5%. Основная доля здесь принадлежит ишемической болезни сердца и артериальной гипертензии с их осложнениями – инфарктами миокарда и инсультами.

Для диагностики поражений сосудов в кардиологии активно применяется ангиографическое исследование коронарных сосудов, направленное на верификацию диагноза ишемической болезни сердца, уточнение локализации поражения сосудистого русла,

определение тактики лечения.

Коронароангиография представляет рентгеноконтрастный метод исследования, позволяющий получить информацию о состоянии сосудов сердца, а также предотвратить развитие инфаркта миокарда и снизить риск внезапной смерти [1].

Для расчета гемодинамических показателей проводится выделение контуров левого желудочка (ЛЖ) на изображениях вентрикулограмм, зарегистрированных в одной из проекций в конце систолы и в конце диастолы. Результаты этой процедуры влияют на погрешность оценивания диагностических



параметров и, следовательно, определяют достоверность диагноза. Особенность ангиографических изображений в том, что улучшение качества выделения контуров ЛЖ даже на несколько процентов может значительно повысить достоверность диагноза.

Перспективным подходом к улучшению качества выделения контуров ЛЖ является применение для решения этой задачи методов активных контуров [2] и разработанного автором репагулярного вейвлет-преобразования (ВП) [3]. Поэтому целью работы является разработка и исследование метода выделения контуров ЛЖ с использованием метода активных контуров и репагулярного ВП для повышения качества этой процедуры в автоматизированной системе анализа и распознавания венстрикулограмм.

## 1. АНАЛИЗ СУЩЕСТВУЮЩИХ МЕТОДОВ ВЫДЕЛЕНИЯ КОНТУРОВ ЛЕВОГО ЖЕЛУДОЧКА НА ВЕНТРИКУЛОГРАММАХ

При выполнении коронароангиографии, как правило, проводят левую венстрикулографию. Эта процедура позволяет провести количественную оценку органических и функциональных нарушений ЛЖ сердца. Оценка нарушений региональной сократимости ЛЖ проводится в условно выделенных сегментах ЛЖ, располагающихся в плоскости 3-х поперечных сечений сердца. В каждом из сегментов определяется характер и амплитуда движения миокарда, а также степень его систолического утолщения.

Левая венстрикулограмма позволяет обнаружить региональные нарушения функции ЛЖ в виде локальных участков акинезии, гипокинезии и дискинезии; выявить внутрисполостные тромбы и опухоли; диагностировать аневризму ЛЖ (локальное выбухание истонченного и не сокращающегося участка ЛЖ, состоящего из некротизированной или рубцовой ткани) и ее размеры, оценить систолическую функцию ЛЖ путем определения гемодинамических показателей (уменьшения функции выброса, конечно-систолического и конечно-диастолического объема ЛЖ, сердечного индекса, ударного индекса и др.) [1].

Заметим, что интенсивность пикселей изображения венстрикулограммы в пределах ЛЖ неоднородна, большинство контуров ЛЖ является слабо различимыми. К тому же при автоматизированном выделении контуров ЛЖ должен учитываться опыт врача-кардиолога, особенно при обработке различных участков венстрикулограммы. Поэтому методы выделения

контуров ЛЖ на венстрикулограммах, известные из литературы, в большинстве основаны на классификации с обучением. Так, согласно классификационному методу сегментации венстрикулограмм, предложенному в [2], сначала определяется аппроксимация контура ЛЖ с помощью машины опорных векторов. Результат этого метода используется как начальное приближение для оптимизационной процедуры, применяющейся для нахождения параметров модели деформации контура.

В [4] для выделения контура ЛЖ используется метод, включающий следующие этапы (рис. 1):

- выделение контуров ЛЖ на венстрикулограмме с помощью нейронной сети, что позволяет учесть знания врача-диагноста;
- выделение контуров ЛЖ на венстрикулограмме с использованием подчеркивающего преобразования, что обеспечивает помехоустойчивость сегментации;
- объединение результатов двух предыдущих этапов метода с последующей разметкой точек изображения.

Применяемые методы автоматизированного выделения контуров ЛЖ позволили существенно повысить качество контурной сегментации изображений венстрикулограмм, что положительно повлияло на достоверность диагноза. Однако авторы работы [4] в качестве подчеркивающего преобразования использовали градиентный оператор Собела, имеющий низкую помехоустойчивость. Поэтому в работе [3] для достоверности диагноза была улучшена помехоустойчивость метода выделения контуров ЛЖ путем применения в качестве подчеркивающего преобразования репагулярного ВП.

Заметим, что в [3, 4] разметка точек изображения проводилась путем прослеживания контура ЛЖ по подчеркнутым перепадам значений признака сегментации. Результирующий контур не являлся гладким и характеризовался высокой погрешностью определения координат для точек перепадов интенсивности. Известно, что гладкое решение задачи контурной сегментации изображений позволяют получить методы активных контуров [5, 6, 7], применяемые для разметки точек изображения. Основными сложностями использования этих методов являются выбор начального приближения контура, обработка вогнутых фрагментов контура, помехоустойчивость и высокий уровень вычислительных затрат.



Рис. 1 – Функциональная схема метода выделения контуров ЛЖ на вентрикулограмме

Согласно методу активных контуров в процессе сегментации изображений минимизируется энергетический функционал, состоящий обычно из 2-х слагаемых: внутренней энергии, обеспечивающей гладкость контура и внешней энергии, направляющей эластичный контур к границам объекта на изображении.

В [5] определена внешняя сила для методов активных контуров, получившая название градиентный векторный поток, которая устраняет два ключевых недостатка этой группы методов – охватывает большую область контура изображения за счет диффузии векторов градиента при подчеркивании контура и способна обрабатывать вогнутые фрагменты контура. Другая внешняя сила, определенная для методов активных контуров через свертку векторных полей (СВП), не только обладает преимуществами градиентного векторного потока, но и помехоустойчива, имеет меньшую вычислительную сложность [6]. Эта внешняя сила вычисляется путем свертки результата подчеркивающего преобразования изображения с векторным полем.

Для изображений иерархической структуры, содержащих объекты разного масштаба, метод активных контуров был модифицирован следующим образом [7]. Выполнялось

масштабно-пространственное представление изображения. Метод активных контуров запускался сначала для выделения контуров объекта на представлении изображения с большим масштабом. Полученный результат помехоустойчивый, т. к. использование представления изображения с большим масштабом позволяет подавить шум и сгладить мелкие детали изображения. Этот результат использовался при следующем запуске метода активных контуров на представлении изображения с малым масштабом. Последнее позволяет уточнить границы объекта, полученные при предыдущем запуске метода активных контуров и снизить погрешность определения координат для точек перепадов интенсивности.

Хотя изображение вентрикулограммы имеет иерархическую структуру (ЛЖ содержит направляющий провод и катетер, наблюдается также распространение контрастного вещества), использование метода работы [7] затруднено слабой контрастностью участков изображения. Поэтому в данной работе разработан комбинированный метод выделения контуров ЛЖ на вентрикулограмме, позволяющий уменьшить погрешность определения координат для точек границ однородных областей. В основу

разработанного метода положен метод работы [4] (см. рис. 1). Однако на этапе разметки точек изображения вместо процедуры прослеживания предлагается применять метод активных контуров с использованием СВП. Далее излагаются основные положения этого метода и приводится определение СВП.

## 2. МЕТОД АКТИВНЫХ КОНТУРОВ С ПРИМЕНЕНИЕМ СВЕРТКИ ВЕКТОРНЫХ ПОЛЕЙ

Активный контур на плоскости представляется параметрической кривой  $v(s) = [x(s), y(s)]^T$ ,  $s \in [0, 1]$ , которая деформируется на изображении в результате минимизации энергетического функционала [5, 6, 7]

$$E_{ac} = \int_0^1 \left( \frac{1}{2} (\alpha |v'(s)|^2 + \beta |v''(s)|^2) + E_{ext}(v(s)) \right) ds, \quad (1)$$

где  $\alpha, \beta$  – весовые коэффициенты, регулирующие гладкость и упругость контура соответственно;  $v'(s), v''(s)$  – 1-я и 2-я производные  $v(s)$  по  $s$ .

$E_{ext}(v(s))$  – внешняя энергия параметрической кривой  $v(s)$ , принимающая на контурах малые значения [5]. В [5] внешняя энергия для полутонового изображения  $I(x, y)$  определяется как  $E_{ext}(v(s)) = -|\nabla I(x, y)|^2$ , где  $\nabla$  – оператор градиента.

Согласно необходимому условию минимизации функционала (1) в точке минимума контур изображения удовлетворяет уравнению Эйлера – Лагранжа

$$\alpha v''(s) - \beta v''''(s) - \nabla E_{ext}(v(s)) = 0, \quad (2)$$

которое может рассматриваться как уравнение баланса сил

$$f_{int}(v(s)) + f_{ext}(v(s)) = 0,$$

где  $f_{int}(v(s)) = \alpha v''(s) - \beta v''''(s)$  – внутренняя сила, определяющая гладкость и упругость контура;  $f_{ext}(v(s)) = -\nabla E_{ext}(v(s))$  – внешняя сила, которая направляет контур к границам объекта на изображении. Решение (2) представляет собой решение уравнения градиентного спуска

$$\frac{\partial v(s, t)}{\partial t} = \alpha v''(s, t) - \beta v''''(s, t) - f_{ext}(v(s, t)), \quad (3)$$

где  $v(s)$  рассматривается еще и как функция времени  $t$ , а начальное приближения обозначается как  $v(s, 0)$ .

Численное решение (3) на дискретной решетке значений  $s$  получают методом конечных разностей [8]. Для этого непрерывный контур  $v(s), s \in [0, 1]$ , дискретизируют и представляют множеством  $M$  дискретных точек  $v_i, i \in \{0, 1, \dots, M-1\}$ , – элементов контура. Деформация контура в матричной форме проводится по формуле

$$(I + \tau A)V^{t+1} = V^t + \tau F^t, \quad (4)$$

где  $I$  – единичная  $M \times M$  матрица,  $\tau$  – параметр шага итерации  $V^t = [v_0^t, v_1^t, \dots, v_{M-1}^t]^T$ ,  $F^t = [f_{ext}(v_0^t), f_{ext}(v_1^t), \dots, f_{ext}(v_{M-1}^t)]^T$  – матрицы  $M \times 2$ , представляющие координаты значений элементов активного контура и внешней силы в момент времени  $t$  соответственно.  $A$  – матрица  $M \times M$ , циклическая, пентадиагональная, которая используется для вычисления значений внутренней силы. Для вычисления  $V^{t+1}$  в (4) можно использовать разложение Холесского [9].

При использовании СВП для метода активных контуров определяется ядро векторного поля  $k(x, y) = (u_k(x, y), v_k(x, y))$ . Все вектора этого ядра направлены к центру ядра и вычисления проводятся по формуле

$$k(x, y) = m(x, y)n(x, y),$$

где  $m(x, y)$  – величина вектора в точке  $(x, y)$ ,  $n(x, y)$  – единичный вектор, направленный к центру ядра в точке  $(0, 0)$ :

$$n(x, y) = (-x/r, -y/r),$$

причем  $n(0, 0) = (0, 0)$ ,  $r = \sqrt{x^2 + y^2}$  – расстояние до центра ядра. Если центр ядра размещен над точкой контура изображения, то свободная частица, помещенная в область ядра, будет двигаться по направлению к его центру.

Внешняя сила  $f_{vc}(x, y) = (u_{vc}(x, y), v_{vc}(x, y))$  вычисляется путем свертки ядра векторного поля  $k(x, y)$  и изображения с подчеркнутыми контурами  $f(x, y)$ , полученного в результате подчеркивающего преобразования изображения  $I(x, y)$ :

$$f_{vc}(x, y) = f(x, y) * k(x, y) = (f(x, y) * u_k(x, y), f(x, y) * v_k(x, y)),$$

Т. к. значения  $f(x, y)$  неотрицательные и возрастают по мере приближения к контуру изображения, контуры имеют больший вес при определении величины СВП по сравнению с областями однородной интенсивности. Следовательно, внешняя сила, определяемая путем СВП, притягивает свободные частицы к контурам изображения.

СВП зависит от величины ядра векторного поля  $m(x, y)$ . Значения  $m(x, y)$  положительны, при

удалении от контуров изображения убывают и зависят от расстояния до центра ядра, например,

$$m(x, y) = (r + \varepsilon)^{-\gamma},$$

где  $\gamma$  – положительный параметр, контролирующий скорость убывания  $m(x, y)$  при удалении от контура изображения,  $\varepsilon$  – малая положительная константа, позволяющая избежать деления на нуль [6].

При численной реализации СВП ядро векторного поля представляется матрицей дискретных чисел  $K = \{k(x, y); x, y = -R, \dots, -1, 0, 1, \dots, R\}$ , где  $R$  – заданный радиус ядра (рис. 2). Для вычисления СВП выполняется дискретная свертка подчеркнутого изображения с матрицей  $K$  в области преобразования Фурье [6]. Вектор внешней силы масштабируется к единичному вектору для того, чтобы контур изображения обрабатывался с постоянной скоростью, если шаг  $\tau$  в (4) постоянный [6].

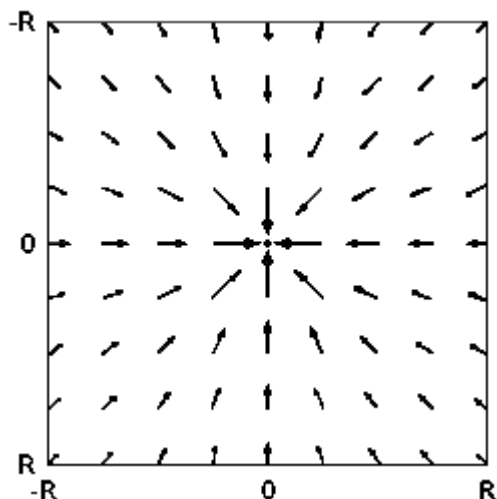


Рис. 2 – Пример дискретного ядра векторного поля с  $R = 4$

Метод активных контуров с применением СВП используется в данной работе для разметки точек венстрикулограмм в модификации, предложенной в работе [7]. Модифицированный таким образом метод активных контуров далее будем называть многоступенчатым согласно терминологии [10], т. к. решение исходной задачи этим методом получается путем решения нескольких оптимизационных подзадач.

### 3. МЕТОД ВЫДЕЛЕНИЯ КОНТУРОВ ЛЕВОГО ЖЕЛУДОЧКА С РАЗМЕТКОЙ ТОЧЕК ВЕНТРИКУЛОГРАММЫ МЕТОДОМ АКТИВНЫХ КОНТУРОВ

Полутоновые изображения венстрикулограмм размера  $512 \times 512$  пикселей были получены методом цифровой ангиографии без вычитания,

поэтому кроме ЛЖ, на них были отображены соседние органы, например, ребра. На рис. 3 показаны венстрикулограмма в конце диастолы в  $30^\circ$  правой косо́й проекции (рис. 3, а) и венстрикулограмма в конце систолы (рис. 3, в). Очевидно, что некоторые фрагменты контуров ЛЖ слабо различимы.

Применение цифровой ангиографии без вычитания обусловило высокую зашумленность венстрикулограмм, исследуемых в данной работе (отношение сигнал/шум составило 31 – 52 по мощности).

В основу метода выделения контуров ЛЖ на венстрикулограммах, разрабатываемого и исследуемого в данной работе, была взята функциональная схема с рис. 1. На этапе подчеркивающего преобразования согласно исследованиям, проведенным в [4] использовалось репагулярное ВП с параметром  $\alpha = 0,25$ .

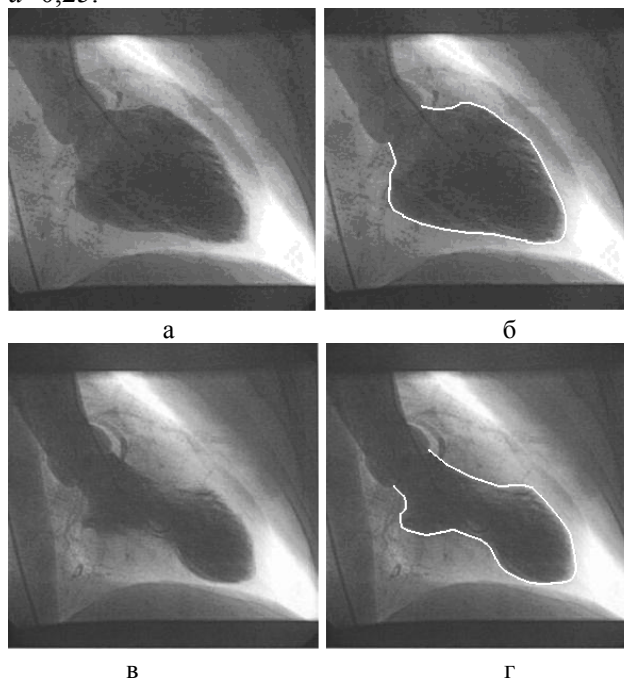


Рис. 3 – Левая венстрикулограмма в конце диастолы (а) и в конце систолы (в), контуры ЛЖ, прослеженные кардиологом (б, г)

Это преобразование предполагает свертку функции значений интенсивности изображения с функциями

$$\psi(x, a) = |x|^{-a} \operatorname{sgn}(x) w(x, a),$$

где  $x$  – пространственная координата,  $a$  – параметр преобразования,  $w(x, a)$  – функция

$$\text{окна, } w(x, a) = \begin{cases} 1, & |x|^{-a} \geq \varepsilon; \\ 0, & |x|^{-a} < \varepsilon; \end{cases} \quad \varepsilon - \text{фиксировано.}$$

При выполнении репагулярного ВП в данной работе использовалась его модификация в виде

свертки с функциями  $\tilde{\Psi}(x, a) = \frac{1}{2^{xa}}$ , позволяющая получить преимущества с точки зрения аппаратной реализации. С учетом этого аспекта репагулярное ВП представлялось в виде свертки каждой строки и столбца изображения с фильтрами

$$\{g_a(n)\}_{n=0}^{2N_a} = \left\{ -\frac{1}{2^{N_a a}}, \dots, -\frac{1}{8^a}, -\frac{1}{4^a}, -\frac{1}{2^a}, -1, 1, \frac{1}{2^a}, \frac{1}{4^a}, \frac{1}{8^a}, \dots, \frac{1}{2^{N_a a}} \right\},$$

где  $a$  – параметр репагулярного ВП,  $2N_a$  – количество коэффициентов фильтра, которое зависит от  $\varepsilon$  и  $a$ .

Использование репагулярного ВП позволяет выбрать соответствующий целям обработки уровень масштабно-пространственного представления изображения и обеспечивает необходимую помехоустойчивость и допустимую погрешность результата сегментации.

Многошаговый метод активных контуров с использованием СВП, применяемый при разметке точек изображения при выделении контуров ЛЖ на вентрикулограмме реализуется в 2 этапа.

Подчеркнутое изображение было получено путем взвешенного суммирования изображения  $r(x, y)$ , полученного в результате подчеркивающего преобразования, и изображения  $f_n(x, y)$ , сформированного в результате обобщения нейронной сети, по формуле [4]

$$B(x, y) = w_w f_n(x, y) + (1 - w_w) r(x, y), \quad (5)$$

где  $w_w$  – взвешивающий коэффициент, который выбирался как  $w_w = 0,3$  для вентрикулограмм в конце диастолы и  $w_w = 0,6$  для вентрикулограмм в конце систолы.

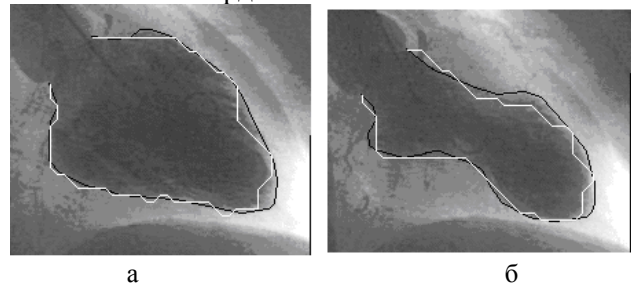
Затем для начального приближения контура в виде окружности запускался метод активных контуров с использованием СВП, для которого  $R=1, \gamma=0, \varepsilon=0$ . Такой выбор параметров приводит к частному случаю СВП – градиентному векторному потоку, использование которого целесообразно на данном этапе, т. к. подчеркнутое изображение, полученное по формуле (5) не является зашумленным и, следовательно, этот метод позволяет выделить контур ЛЖ с низкой погрешностью определения координат для точек границ объекта.

На втором этапе многошагового метода активных контуров с использованием СВП для выделения контуров ЛЖ на вентрикулограмме результирующий контур, полученный на первом этапе метода, уточняется. Для этого выполняется подчеркивание результата гомоморфной фильтрации исходного изображения с помощью репагулярного ВП. Параметр репагулярного ВП  $a$  на данном этапе выбирался равным 1 для вентрикулограмм в конце диастолы и 0,25 – для вентрикулограмм в конце систолы.

Далее запускался метод активных контуров с использованием СВП, однако уже с параметрами  $R=32; \gamma=2,2; \varepsilon=10^{-8}$ . В качестве начального приближения контура на этом этапе использовался результирующий контур первого этапа метода выделения контуров ЛЖ на вентрикулограмме. К полученному на втором этапе метода контуру ЛЖ применялась морфологическая операция замыкания для того, чтобы сгладить мелкие дефекты [11].

Результаты выделения контуров ЛЖ на вентрикулограммах в конце диастолы и в конце систолы методом работы [3] с применением репагулярного ВП в качестве подчеркивающего преобразования показаны на рис. 4. Контур, выделенный с использованием репагулярного ВП, обозначен на рис. 4 светлой линией наряду с контуром, прослеженным кардиологом (черная линия).

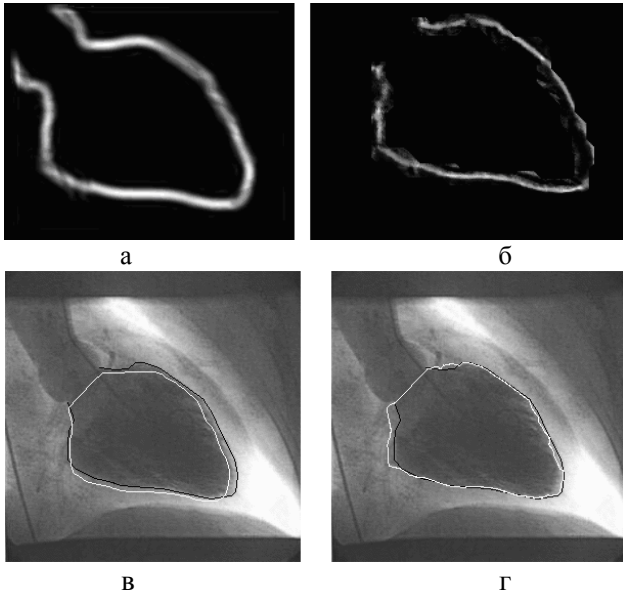
Контур ЛЖ, выделенные методом работы [3], практически на всем своем протяжении согласуются с контурами, прослеженными кардиологом. Однако некоторые фрагменты выделенных контуров как следствие несоблюдения условия гладкости в результате прослеживания отличаются от контуров, обозначенных кардиологом.



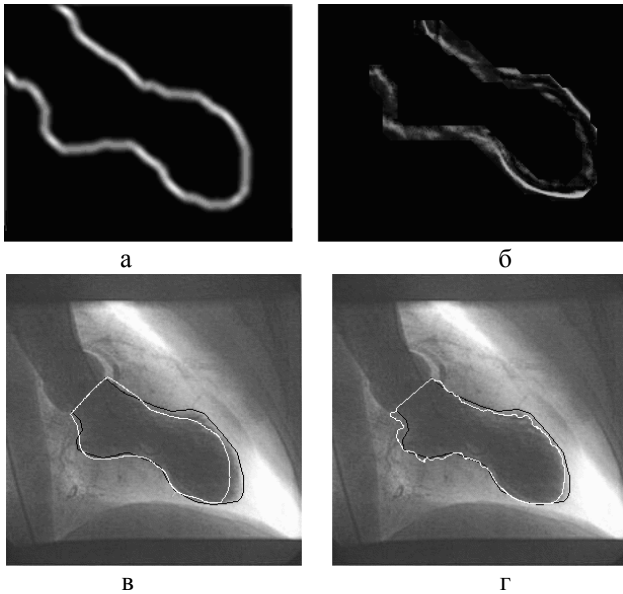
**Рис. 4 – Контур, выделенный методом работы [3], и контур, обозначенный кардиологом, на вентрикулограмме в конце диастолы с рис. 3, а (а) и на вентрикулограмме в конце систолы с рис. 3, в (б)**

Результаты выделения контуров ЛЖ на вентрикулограммах с рис. 4 многошаговым методом активных контуров с использованием СВП показаны на рис. 5 – 6. Черной линией на рис. 5, в, г и 6, в, г обозначен контур,

прослеженный кардиологом.



**Рис. 5 – Результат подчеркивающего преобразования вентрикулограммы с рис. 3, а (а), этапа обобщения нейронной сети (б); первого этапа многошагового метода активных контуров (в); второго этапа многошагового метода активных контуров (г)**



**Рис. 6 – Результат подчеркивающего преобразования вентрикулограммы с рис. 3, в (а), этапа обобщения нейронной сети (б); первого этапа многошагового метода активных контуров (в); второго этапа многошагового метода активных контуров (г)**

#### 4. АНАЛИЗ РЕЗУЛЬТАТОВ

Для оценки качества разметки точек изображения вентрикулограммы полученный контур ЛЖ замыкался путем соединения

первоначально заданных двух точек. Далее определялись следующие области:  $R_p$  – область в пределах контура, выделенного автоматизированным методом, и  $R_D$  – область в пределах контура, прослеженного кардиологом. Для этих множеств вычислялись характеристические функции:

$$a_p(x, y) = \begin{cases} 1, & (x, y) \in R_p, \\ 0, & (x, y) \in \Omega \setminus R_p; \end{cases} \text{ и}$$

$$a_D(x, y) = \begin{cases} 1, & (x, y) \in R_D, \\ 0, & (x, y) \in \Omega \setminus R_D; \end{cases}$$

где  $\Omega$  – область определения изображения вентрикулограммы.

Количественная оценка различия между контуром, выделенным автоматизированным методом и контуром, прослеженным кардиологом, аналогично [4] определялась путем вычисления величины

$$E_c = \frac{\sum_{(x,y) \in \Omega} a_p(x, y) \oplus a_D(x, y)}{\sum_{(x,y) \in \Omega} a_D(x, y)}, \quad (6)$$

где  $\oplus$  обозначает исключающее логическое ИЛИ.

В клинической практике для вычисления гемодинамических показателей нарушений ритмической активности сердца необходимо рассчитать площадь области изображения вентрикулограммы внутри выделенного контура ЛЖ. Соответствующая погрешность

$$E_A = \frac{\left| \sum_{(x,y) \in \Omega} a_D(x, y) - \sum_{(x,y) \in \Omega} a_p(x, y) \right|}{\sum_{(x,y) \in \Omega} a_D(x, y)}. \quad (7)$$

Площадь области вентрикулограммы внутри контура ЛЖ используется для вычисления объема ЛЖ и изменения объема ЛЖ после сокращения. Погрешность измерения изменения объема ЛЖ после сокращения

$$EFD = |EF_D - EF_P|,$$

где  $EF_D, EF_P$  – изменение площади области вентрикулограммы внутри контура ЛЖ, прослеженного кардиологом и выделенного автоматизированным методом соответственно.

Результаты выделения контуров ЛЖ, приведенные в табл. 1, усреднялись по 56 вентрикулограммам.

**Таблица 1. Результаты выделения контуров ЛЖ на венстрикулограммах автоматизированным методом по сравнению с контурами, прослеженными кардиологом**

<b>Многошаговый метод активных контуров</b>					
Погрешность	В конце диастолы		В конце систолы		EFD, %
	$E_c, \%$	$E_a, \%$	$E_c, \%$	$E_a, \%$	
Среднее значение	6,66	0,87	11,06	2,33	1,56
Стандартное отклонение	2,30	0,45	0,98	1,41	0,62
<b>Метод с применением репагулярного ВП, <math>a=1</math></b>					
Погрешность	В конце диастолы		В конце систолы		EFD, %
	$E_c, \%$	$E_a, \%$	$E_c, \%$	$E_a, \%$	
Среднее значение	7,21	4,52	13,83	7,70	0,75
Стандартное отклонение	3,89	2,12	2,92	2,07	1,35
<b>Метод с применением репагулярного ВП, <math>a=0,25</math></b>					
Погрешность	В конце диастолы		В конце систолы		EFD, %
	$E_c, \%$	$E_a, \%$	$E_c, \%$	$E_a, \%$	
Среднее значение	7,05	4,31	13,19	6,64	2,35
Стандартное отклонение	4,58	2,82	2,12	2,35	1,34

В случае применения метода работы [3] средняя погрешность выделения контура и области внутри контура для венстрикулограмм в конце диастолы составляла 7,05% и 4,31% соответственно ( $a=0,25$ ). Это означает, что применение многошагового метода активных контуров с использованием СВП позволило уменьшить  $E_c$  на 0,5%,  $E_a$  – в 5,2 раза. Аналогичные величины для венстрикулограмм в конце систолы при использовании метода работы [3] составили 13,19% и 6,64% ( $a=0,25$ ). Следовательно, применение многошагового метода активных контуров с использованием СВП позволило снизить  $E_c$  на 2,1%,  $E_a$  – в 3 раза. Увеличение  $E_c$  и  $E_a$  при выделении контуров ЛЖ на венстрикулограммах в конце систолы обусловлено тем, что в этом случае площадь ЛЖ на изображении относительно мала и представляет собой знаменатель в формулах (6), (7). Погрешность EFD измерения объема ЛЖ после сокращения в результате применения репагулярного ВП с  $a=1$  составляла 0,75%, что

на 0,8% ниже чем при использовании многошагового метода активных контуров с применением СВП.

Сравним полученные результаты выделения контуров ЛЖ на венстрикулограммах в конце диастолы с результатами, приведенными в работе [2]. Применение классификационного метода работы [2] дало  $E_c=5,97\%$ , что на 0,7% меньше, чем аналогичная характеристика разработанного метода (см. табл. 1), погрешность  $E_a=3,71\%$ , которая в 4,3 раза выше, чем  $E_a$  для венстрикулограмм в конце диастолы, приведенная в табл. 1.

Далее приведены характеристики выделения контуров ЛЖ на венстрикулограммах на 1-м этапе многошагового метода активных контуров с применением СВП (табл. 2). Заметим, что на 2-м этапе этого метода для венстрикулограмм в конце диастолы погрешность  $E_a$  снижена в 7,5 раз,  $E_c$  – в 1,5 раза, для венстрикулограмм в конце систолы погрешность  $E_a$  уменьшилась в 4,2 раза,  $E_c$  – в 1,6 раза. Погрешность EFD измерения изменения объема ЛЖ после сокращения в результате 2-го этапа многошагового метода активных контуров снижена в 3 раза.

**Таблица 2. Результаты выделения контуров ЛЖ на венстрикулограммах на 1-м этапе автоматизированного метода по сравнению с контурами, прослеженными кардиологом**

<b>1-й этап многошагового метода активных контуров</b>					
Погрешность	В конце диастолы		В конце систолы		EFD, %
	$E_c, \%$	$E_a, \%$	$E_c, \%$	$E_a, \%$	
Среднее значение	10,20	6,58	17,82	9,86	4,54
Стандартное отклонение	3,39	4,68	0,36	0,49	2,19

Заметим, что погрешности EFD и  $E_a$  выделения контуров ЛЖ автоматизированным методом по сравнению с контурами, прослеженными кардиологом, не превышают допустимые для данной задачи значения.

В работе [12] определялась средняя погрешность результатов прослеживания контура экспертами кардиологами. Согласно этой работе средняя погрешность определения области ЛЖ  $E_a$  для венстрикулограмм в конце диастолы и в конце систолы составила 7,3% и

15,2% соответственно. Средняя погрешность *EFD* при определении изменения площади области ЛЖ после сокращения составила 7,0%. При выделении контуров ЛЖ многошаговым методом активных контуров с использованием СВП  $E_a$  и *EFD* были меньше (см. табл. 1).

## 5. ВЫВОДЫ

Таким образом, применение многошагового метода активных контуров с использованием свертки векторных полей для разметки точек на изображениях вентрикулограмм при выделении контуров левого желудочка предпочтительнее прослеживания. На первом этапе этого метода проводится обработка на малом масштабе изображения, полученного фактически в результате анизотропной диффузии, когда сохранены контуры интересующего нас объекта на вентрикулограмме – левого желудочка, а контуры объектов внутри него (направляющего провода и катетера) и вне его (ребер) сглаживаются. На втором этапе метода проводится обработка уже исходного изображения, но с большим масштабом для того, чтобы сохранить помехоустойчивость результата выделения контуров левого желудочка на предыдущем этапе метода. Оценены характеристики качества выделения контуров левого желудочка на вентрикулограммах в конце диастолы и в конце систолы. В результате экспериментов было показано, что применение многошагового метода активных контуров с использованием свертки векторных полей позволяет выделить слабо различимые контуры, соответствующие контурам, прослеженным кардиологом, что повышает достоверность диагноза.

## 6. СПИСОК ЛИТЕРАТУРЫ

- [1] N. N. Kryukov, E. N. Nikolaevskiy, V. P. Polyakov, *Ischemic heart disease (modern aspects of clinic, diagnostics, treatment, prophylaxis, medical rehabilitation, examination)*, Samara, 2010. 651 p. (in Russian).
- [2] A. Bravo, M. Vera, R. Medina, Edge detection in ventriculograms using support vector machine classifiers and deformable models, *Lecture Notes in Computer Science*, 4756 (2007). p. 793-802.
- [3] M. V. Polyakova, V. N. Krylov, N. A. Gulyeva, T. V. Pruschak, Control automatic system of analysis and recognition of ventriculograms

on a base of the repagular wavelet transform, *International Journal of Computing*, (9) 4 (2010), p. 335-344. (in Russian).

- [4] K. Suzuki, I. Horiba, N. Sugie, M. Nanki, Extraction of left ventricular contours from left ventriculograms by means of a neural edge detector, *IEEE Transactions on Medical Imaging*, (23) 3 (2004). p. 330-339.
- [5] C. Xu, J. L. Prince, Snakes, shapes, and gradient vector flow, *IEEE Trans. Image Processing*, (7) 3 (1998). p. 359-369.
- [6] B. Li, S. T. Action, Active contour external force using vector field convolution for image segmentation, *IEEE Trans. on Image Processing*, (16) 8 (2007). p. 2096-2105.
- [7] C. Rogab, S. Itzerott, B. U. Schneider, H. Kaufmann, R. F. Huttl, Edge segmentation by alternating vector field convolution snake, *Internation J. of Computer Science and Network Security*, (9) 8 (2009). p. 123-131.
- [8] L. D. Cohen, I. Cohen, Finite-element methods for active contour models and balloons for 2-D and 3-D images, *IEEE Trans. Pattern Anal. Mach. Intell.*, (15) 11 (1993). p. 1131-1147.
- [9] A. A. Samarskiy, A. V. Gulin, *Numeral methods*, Moscow, 1989, 432 p. (in Russian).
- [10] A. F. Izmailov, M. V. Solodov, *Numeral methods of optimization*, Moscow, 2003, 300 p. (in Russian).
- [11] R. Gonsales, R. Woods, *Digital image processing*, Moscow, 2005, 1072 p. (in Russian).
- [12] P. F. Cohn, J. A. Levin, G. A. Bergeron, R. Gorlin, Reproducibility of the angiographic left ventricular ejection fraction in patients with coronary artery disease, *Amer. Heart J.* 88 (1974). p. 713-720.



**Полякова Марина Вячеславовна** – специалист (1994), прикладная математика, Одесский государственный университет, к.т.н. (2004), автоматизированные системы управления и прогрессивные информационные технологии, доцент кафедры “Прикладная математика и информационные технологии в бизнесе” (2006), Одесский национальный политехнический университет.

Научные интересы: вейвлет-анализ, фракталы, теория обобщенных функций.





## EXTRACTION OF LEFT VENTRICULAR CONTOURS FROM VENTRICULOGrams WITH LABELING OF IMAGE PIXELS BY ACTIVE CONTOURS

Marina Polyakova

Odessa National Polytechnic University,  
 1, Shevchenko avenue, Odessa, 65044, Ukraine,  
 marina\_polyakova@rambler.ru

**Abstract:** *The method of the extraction of left ventricular contours is developed for ventriculograms which obtained by radiological research of heart with the angiographic system. The proposed method includes the underlining of left ventricular contours through the repagular wavelet transform and labeling the pixels of image by active contours that reduced the error of detection of the edge and the area of left ventricle.*

**Keywords:** *wavelet transform, left ventriculogram, active contours.*

For diagnostics of diseases of vessels the radiographics research is actively used in a cardiology. It is directed on verification of diagnosis of ischemic heart disease, clarification of localization of stenosis of vascular river-bed, determination of tactic of medical treatment. At the coronaroangiography, as a rule, the left ventriculography is included. This procedure allows to estimate the systole function of the left ventricle with gemodynamical indexes (end-systole and end-diastole volume of left ventricle, cardiac index, shock index and other).

For the calculation of gemodynamical indexes the left ventricular (LV) contours is extracted from ventriculograms in one of projections at end-systole and at end-diastole. The results of this procedure influence on the error of assessment of cardiac function of heart and, consequently, determine accuracy of diagnosis. A feature of angiographic images is in that the improvement of quality of extraction of LV contours even on a few percents cans considerably increasing the accuracy of diagnosis.

The perspective way for the improvement of quality of extraction of LV contours is application of the active contours or snakes [1] and the repagular wavelet transform (WT) developed by author [2]. Therefore the aim of this paper is elaboration and research of method of extraction of LV contours with the use of active contours and the repagular WT for increasing of the quality of this procedure in control automatic system of ventriculogram analysis and recognition.

The vector field convolution (VFC) snakes is used for labeling of ventriculogram pixels in modification proposed in [3]. The multistep snakes accordantly to terminology [4] further will name this modification. An initial problem is decided by this method through a few optimization sub-problems.

The extraction of LV contours from ventriculograms developed in this paper is based on a functional diagram from a fig. 1 [5]. On the stage of underlining transform according to [2] repagular WT was used with the parameter of  $a=0,25$ . This allows choosing the level of scale-space representation of image in accordance with the aims of processing and provides necessary robustness and permissible error of segmentation result.

Multistep VFC snakes applied at labeling of ventriculogram pixels realized in two stages.

On the first stage of the method an underlined image was resulted by weighed adding of image  $r(x, y)$  got from uderlining transform and an image  $f_n(x, y)$  formed as a result of neural network generalization. Then from the initial approach of contour as a circle the VFC snakes is started. Parameters values are chosen as  $R=1$ ,  $\gamma=0$ ,  $\varepsilon=0$ . Such parameters results in the special case of VFC which is the gradient vector flow. The use of it is expediently on this stage as an underlined image is not noised. Therefore this method extracts the LV contours with the low error.

On the secong stage of multistep VFC snakes for the extraction of LV contours from ventriculograms

a contour got on the first stage of method is improved. For this purpose the result of gomomorphic filtering of initial image is processed by repagular WT. Parameter of repagular WT on this stage is  $a=1$  for ventriculograms at end-diastole and  $a=0,25$  for ventriculograms at end-systole.

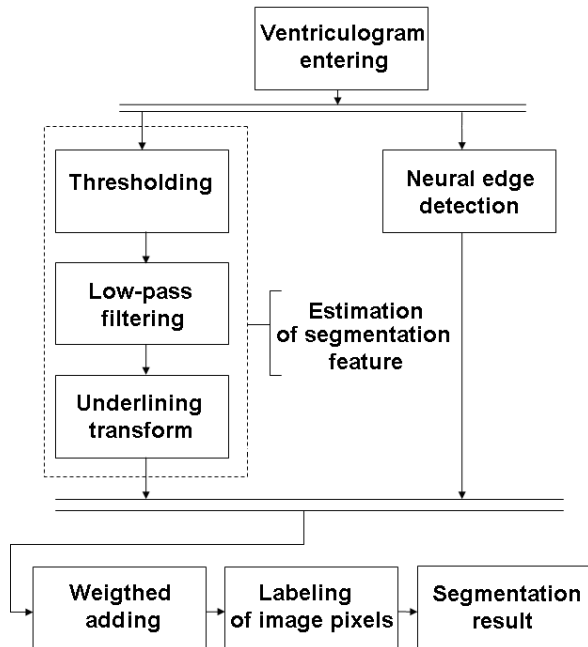


Fig. 1 – Functional diagram of method of extraction of LV contours from ventriculograms

Then VFC snakes is started with the parameters  $R=32$ ;  $\gamma=2,2$ ;  $\epsilon=10^{-8}$ . As an initial approach of contour on this stage the resulting contour on the first stage of the extraction of LV contours from ventriculograms was used. To the LV contours gdot on the second stage of the method the dilatation was used in order to smooth small defects.

Results of the extraction of LV contours form ventriculogram at end-diastole with the use of multistep VFC snakes is shown on a fig. 2. By a black line is marked a contour traced a cardiologist.

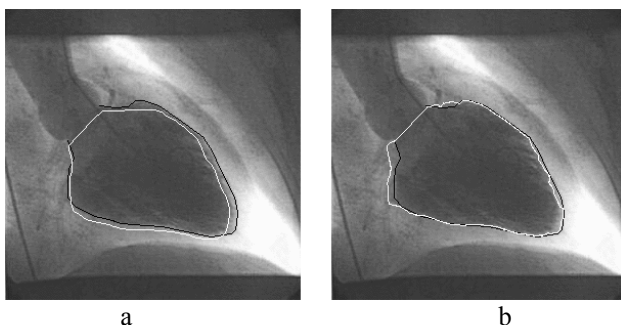


Fig. 2 – Result of the first stage of multistep VFC snakes (a); second stage of multistep VFC snakes for ventriculogram at end-diastole (b)

The results of extraction of LV contours were calculated for 56 ventriculograms. If the method of the paper [2] is applied with  $a=0,25$  a mean contour error is 7,05% and an area error is 4,31% for

ventriculograms at end-diastole. It means that application of multistep VFC snakes decreased contour error on 0,5% and an area error in 5,2 times. Analogical errors for ventriculograms at end-systole at the use of method of [2] were 13,19% and 6,64% ( $a=0,25$ ). Applying of multistep VFC snakes reduced a contour error on 2,1% and an area error in 3 times. A difference in ejection fractions after applying of repagular WT with  $a=1$  was 0,75% that on 0,8% below what at the use of multistep VFC snakes.

Let's compare the results of multistep VFC snakes for the extraction of LV contours from ventriculograms at end-diastole with results of paper [1]. Application of classification method [1] is resulted in contour error 5,97% that on 0,7% less than contour error of elaborated method. A difference in ejection fractions was 3,71% which in 4,3 times higher than for developed method.

Thus application of multistep VFC snakes for the extraction of LV contours from ventriculograms preferably than tracing. On the first stage of this method an image is processed on the small scale resulted as anisotropic diffusion when the contours of interesting us object (the left ventricle) are stored on ventriculogram and contours of objects into it (sending wire and catheter) and surrounding structures such as the ribs smoothed. On the second stage of method the initial image is processed with a large scale in order to save robustness of result of the extraction of LV contours on the previos stage of the method.

## REFERENCES

- [1] A. Bravo, M. Vera, R. Medina, Edge detection in ventriculograms using support vector machine classifiers and deformable models, *Lecture Notes in Computer Science*, 4756 (2007). p. 793-802.
- [2] M. V. Polyakova, V. N. Krylov, N. A. Gulyeva, T. V. Pruschak, Control automatic system of analysis and recognition of ventriculograms on a base of the repagular wavelet transform, *International Journal of Computing*, (9) 4 (2010). p. 335-344. (in Russian)
- [3] C. Rogab, S. Itzerott, B. U. Schneider, H. Kaufmann, R. F. Huttel, Edge segmentation by alternating vector field convolution snake, *Internation J. of Computer Science and Network Security*, (9) 8 (2009). p. 123-131.
- [4] A. F. Izmailov, M. V. Solodov, *Numeral methods of optimization*, Moscow, 2003. 300 p. (in Russian)
- [5] K. Suzuki, I. Horiba, N. Sugie, M. Nanki, Extraction of left ventricular contours from left ventriculograms by means of a neural edge detector, *IEEE Transactions on Medical Imaging*, (23) 3 (2004). p. 330-339.



## FAULT TOLERANCE IN GRIDS USING JOB REPLICATION

Mohammed Amoon <sup>1), 2)</sup>

<sup>1)</sup> Computer Science and Eng. Dept., Faculty of Electronic Eng., Menofia University, Egypt

<sup>2)</sup> Dept. of Computer Science, RCC, King Saud University, P. O. Box: 28095-11437 Riyadh, Saudi Arabia  
mamoona@ksu.edu.sa, m\_amoona@yahoo.com

**Abstract:** As grids consist of a large number of resources, fault tolerance forms an important aspect of the scheduling process. In this paper, we address the problem of scheduling user jobs in grids so that failures can be avoided in the presence of resources faults. We employ job replication as an effective mechanism to achieve efficient and fault-tolerant scheduling system. Most of the existing replication-based algorithms use a fixed number of replications for each job which consumes more grid resources. We first propose an algorithm to determine adaptively the number of job replicas according to the grid failure history. Then we propose an algorithm to schedule these replicas. The proposed algorithms have been evaluated through simulation and have shown better performance in terms of grid load, throughput and failure tendency.

**Keywords:** Job scheduling; Fault tolerant; Replication; Grid Computing.

### 1. INTRODUCTION

Grid Computing enables organization of geographically distributed computing resources in different administrative domains into a single, unified system for solving large-scale applications in science, engineering and commerce. Resources can be computers, storage space, peripherals, software applications, and data. A middleware software layer should be implemented to provide the basic services for resource scheduling, monitoring security and so forth [1].

Since grid resources are highly heterogeneous and vary dynamically, either by fault or shutdown, more faults are likely to occur in the grid computing environments [2-4]. Faults are due to the inherently unreliable nature of the grid include hardware failures such as computer crash, link down, etc. and software failures such as extra load, programs removal, etc.

Reliable applications are designed in such a way that grid can automatically recover from failures without affecting the performance user needs according to his required Quality of Service (QoS). Grids should tolerate faults and continue to operate to complete its computations. Fault-tolerant is the property that enables grid to carry on its computations even on individual component's failure without terminating the entire computation. Due to the diverse nature of grid and large-scale

applications on grid, fault-tolerant becomes a challenge on developing, deploying and running applications on grid environments [1], [5-7].

In general, handling of failures by scheduling strategies can occur either before or after the scheduling of the resources. The first approach is called Proactive and the second is called Post-active. Post-active approaches, using techniques of job monitoring, are relatively easier to implement. On the other hand, proactive approaches require more information about grid resources and works in a probabilistic fashion.

In proactive approaches, such as replication, the decisions of how to address possible failures in the grid are made before the job is executed. An effective proactive approach should provide a way, with all available information considered, to avoid any job from any possible failures. This potentially reduces the failure rates within grid, and also increases the capacity and throughput. This is unlike to post-active methods where re-submission of jobs typically leads to a decrease in throughput [8], [9].

All mechanisms proposed to deal with fault-tolerant issues in grids are classified into three categories. The first one is called space redundancy or job replication. In this category, the same job is replicated to be executed on multiple undependable resources to guard the job against a single point of failure. The second category is called time redundancy or checkpointing and rollback. In this

category, the state of a running job is saved to a stable storage. This state can be used later in case of any fault to resume execution of the job instead of restating it. The third category is called adaptive. It uses both job replication and checkpointing to achieve the fault-tolerant.

In this paper, the job replication category is considered in order to create a proactive fault-tolerant scheduling system. In this system, two algorithms are proposed. One algorithm is for determining the number of replicas for each job, namely, Adaptive Job Replication (AJR). The second is used for selecting the resources that execute these replicas, namely, Backup Resources Selection (BRS). We then compare the proposed algorithms with existing algorithms based on fixed number of replicas and others based on dynamic number of replicas.

## 2. RELATED WORK

A large number of research efforts have already been devoted to fault tolerance in the area of distributed computing. However, a little work has been done for fault tolerance in grid environments. Aspects that have been explored include the design and implementation of fault detection services, as well as the development of failure prediction, and recovery strategies. The recovery strategies are often implemented through job replication, checkpointing or combined between them.

Replication is a key mechanism for developing fault-tolerant and highly available grids. Replication is based on the assumption that the probability of a single resource failure is much higher than of a simultaneous failure of multiple resources. It avoids job recomputation by starting several copies of the same job on different resources. With redundant copies of a job, the grid can continue to provide a service in spite of failure of some grid resources carrying out job copies without affecting the performance.

Checkpointing is the ability to save the state of a running job to secondary storage so that it can later resume its execution from the time at which it was last stored. The purpose of checkpointing is to increase fault-tolerance and to speedup application execution on unreliable systems.

The work in this paper depends on using the job replication mechanism. In the proposed system, we need to determine the degree of over-provisioning or job replicas as small as possible in order to minimize the system overhead.

J. Abawajy [10] presented a distributed fault-tolerant scheduling (DFTS) algorithm that couples

job scheduling with job replication. He assumed that grid is divided into sites and each site has a scheduling manager. Each scheduling manager acts as a backup for another scheduling manager. The algorithm uses fixed number of replicas for each job. Each job replica is scheduled to a different site to be executed. The number of replicas is specified by the user at the time of job submission.

K. Srinivasa, G. Siddesh and S. Cherian [11] proposed an adaptive replication middleware which depends on data replication at different sites of the grid. The middleware dispatches replicas to different nodes and enables data synchronization between multiple heterogeneous nodes in the grid. Data sources are synchronized by using TCP/IP transfer protocol.

M. Chetepen et al [12] provided some scheduling heuristics based on task replication and rescheduling of failed jobs. Their heuristics do not depend on particular grid architecture and they are suitable for scheduling any application with independent jobs. Scheduling decisions are based on dynamic information on the grid status and not on the information about the scheduled jobs.

In [8], C. Jiang and et al proposed a replication based fault tolerant algorithm which schedules jobs by matching the user security demand and resource trust level. The number of job replications changes adaptively with the security level of the grid environment.

## 3. OUR SCOPE

Since grid resources are highly heterogeneous and dynamic, more failures are likely to occur in grid environments. These failures affect the time needed to execute jobs and then degrade the performance of the grid. This is because if a resource is unavailable, the system will search for another suitable resource to execute the job. Thus, there is a need to minimize the effect of these failures on performance, when occurred.

Our scope is to use replication strategy to tolerate failures as it is able to replicate each job to be executed more than one time on different resources. Replication provides an efficient way to guarantee the completion of jobs according to the QoS required by the user. Most of the existing replication based algorithms uses a fixed number of replicas [10], [13]. This fixed number of replicas can lead to excessive utilization of resources and also to longer response times of jobs.

The main contribution in this work is to design a proactive fault-tolerant system using the job replication strategy and to evaluate its performance.

The design comprises proposing two algorithms. The first algorithm is for determining the number of job replicas adaptively, namely, Adaptive Job Replication (AJR). Adaptive means the number of replicas is not fixed for all the jobs submitted. The second algorithm is for selecting resources that will execute replicas, namely, Backup Resource Selection (BRS). The proposed algorithms are compared with the algorithms in [10], [12].

#### 4. GRID SCHEDULING SYSTEM

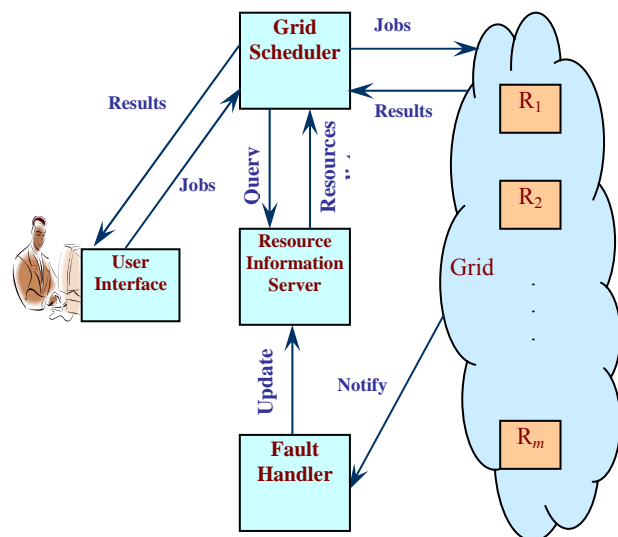
Most of the existing grid scheduling systems assumes the same architecture and the same set of modules. These modules include: a User Interface (UI) through which users can submit their jobs to the grid, a Grid Scheduler (GS) assigns jobs received from users to grid resources, scheduling decisions taken by the GS are based upon information provided by the Resource Information Server (RIS), which collects the resource capability information, such as CPU capacities, memory size, *etc.* The scheduling system acts not only as an interface between users and grid resources but also provide reliable service to users. So, in fault-tolerant architectures, additional component called Fault Handler (FH) is included to handle failures in the system. Handling failures include fault detection and fault recovery.

In this paper, the assumed scheduling architecture is shown in Fig. 1. It consists of geographically dispersed resources managed by a single administration unit. Currently only a grid environment with a single centralized GS and RIS is considered. In the grid architecture considered, resources possess varying failure behavior. So, the considered architecture contains a fault handler that can deal with failures if happened.

The proposed scheme in this work considers the fault occurrence due to resource failure. For detection of such faults, grid scheduler allocates a job to a resource once the user QoS requirements are satisfied on cost, time or cost-time optimization. After allocating the job the resource, the scheduler expects the response of executing the job assigned to that resource within a certain time interval. This time interval is a function of the speed of that resource, communication latency between the scheduler and resource and queue length of the resource. If the resource could not give the result of job execution to the scheduler, it realizes that a fault has occurred and in next step information about that fault is maintained at resource information server (RIS), which helps in taking replication decision while allocating job to that resource in the next time.

#### 5. PROPOSED SYSTEM

The proposed system tries to avoid the occurrence of failures through applying proactive scheduling. Also, the system tries to minimize the effect of the failure if occurred. The system achieves this through job replication. Replication means generating multiple copies of the same job and these copies will be dispatched to be executed on multiple backup resources in parallel at the same time. So, if one resource fails the job still has the chance to be executed without effective delays on another resource. When any replica of a job completes, all other replicas of the job are located and terminated, freeing up the backup resources. The system determines the number of job replicas according to the failure tendency of the resources assigned to the job in the scheduling step. Also, it determines backup resources that will execute these replicas according to the current load of the resources allocated to the job.



**Fig. 1 – Architecture of the Proposed System**

Thus, the main strategy of our proposed system is to minimize the effects of resources failures on the performance of the grid. To achieve this job replication mechanism is used.

The proposed system contains two main steps. These steps are allocation step and replication step. In the allocation step, the scheduler will select a set of suitable resources for executing the job. The selection of resources depends on the response time of the resources. The response time is the summation of the job transmission time from the scheduler to the resource on which the job will be executed, the job queuing time at the resource, the job execution time on the resource, and the transmission time of job's execution results from the recourse to the scheduler. Fig. 2 shows the operation of the proposed system.

```

For each job submitted by the user
{
Step 1(Allocation):
    Receives a job with QoS requirements from the portal;
    Requests a list of suitable resources from the RIS;
    Receives a list of suitable resources from RIS;
    Computes response time for each resource;
    Sorts resources in an ascending order according to the
response time;
    Determine the primary resource;
Step 2(Replication):
    Requests the FT for each resource from the Fault Handler;
    Requests the LH for each resource from the RIS;
    Computes number of replicas for the job;
    Determines the backup resources;
}
    
```

**Fig. 2 – The proposed system’s operation**

The Job Scheduler will receive a job from the job queue along with the QoS required by the user. Then, it will ask the Resource Information Server for a list of suitable resources for executing the job according to the QoS requirements of the user. The Resource Information Server will reply with a list of resources and their expected response times for the job. The scheduler will sort this list according to the response time of each resource. The first resource in the sorted list is selected as the primary resource to execute the job.

As any resource in the grid, this primary resource may fail executing the job. So, in the replication step, the system will choose some resources from the list of allocated resources on which copies of the job will be executed. These resources are called backup resources.

Replicating a job can improve performance in one of two ways. First, by starting a job to run simultaneously on more than one resource, the job response time is determined by the earliest completion time among all replicas. As this can depend on unpredictable load and usage patterns, the replica can potentially improve the response time of the job. Second, replicated job executions can also help dealing with failure; then when one resource fails, the adverse effect on performance of the jobs it runs can be reduced if replicas complete without failure.

There are two challenges in this work. The first one is determining the optimal number of replicas in order to avoid increasing the response time of the job due to resources failure. The number of replicas should not be high in order to avoid grid overloading. The number of replicas or the backup resources is based on the failure tendency of the resources selected in the allocation step.

The second challenge is determining the backup resources that will execute job replicas. So, even in case of failure of a resource grid will be able to complete the job and to get results of the job’s

execution from an alternate resource. In this work, the selection of such resources depends on the current load of the resources selected in the allocation step.

## 6. ADAPTIVE JOB REPLICATION (AJR)

The AJR algorithm determines the number of job replicas. In the algorithm, the number of replicas is not fixed for all the jobs but it is dynamic. It is directly proportional to the tendency of the selected resources to fail. As the tendency of these resources to fail increases the number of replicas increases and vice versa. Thus, the number of replicas is based on failure history of the grid resources and this it will vary from job to job.

The failure tendency of a resource measures the expected degree of it to fail. This measurement depends on the history of the resource. Assume  $N_f$  is the number of times the resource has failed to complete jobs assigned to it and  $N_s$  is the number of times the resource has completed jobs successfully. Each time a resource is failed to complete a job the value of  $N_f$  is increased by 1 and the jobs assigned to that resource will be distributed to other suitable resources in the grid. Otherwise, the value of the  $N_s$  is increased by 1. The failure tendency  $FT_j$  of resource  $j$  is defined by:

$$FT_j = \frac{N_f}{N_s + N_f} \tag{1}$$

Assuming resources  $R_1, R_2, \dots, R_n$  are allocated to the job  $j$  in the allocation step. The average failure tendency of these resources is:

$$FT_n = \frac{\sum_{j=1}^n FT_j}{n} \tag{2}$$

The number of job replicas,  $k$ , is determined to be proportional to the value of  $FT_n$ . At least, we must have one replica to be executed. So, the minimum number of replicas is 1. Also, the number of replicas should not exceed the number of suitable resources. So, the maximum number of replicas is equal to  $n$ .

Fig. 3 shows the algorithm used to determine the number of replicas for each job submitted. For each job, there will be at least one replica. The algorithm compares the value of  $FT_j$  for resource  $j$  with the value of  $FT_n$  starting from the first resource in the allocated list. If  $FT_j \geq FT_n$  then additional replica is added. The algorithm stops if  $FT_j < FT_n$  for any resource  $j$ .

```

For each job i submitted by the user
{
  k = 0;
  j = first resource in the allocated list of resources for job i;
  Do
  {
    k ++;
    j = next resource;
  }
  While(FTj >= FTn);
}
    
```

Fig. 3 – AJR algorithm

## 7. BACKUP RESOURCES SELECTION (BRS)

After determining the number of job replicas, the backup resources will be selected. So, even in case of failure of a resource grid will be able to complete the job and to get results of the job’s execution from an alternate resource. In this work, the selection of such resources depends on the current load of the resources selected in the allocation step.

The load of a resource is the size of computations done by the resource related to the resource speed. RIS is responsible for storing the load history of grid resources. The load history of a resource *j* is defined as:

$$LH_j = \frac{W_c}{S_j}, \quad (3)$$

where  $W_c$  is the total computation work, in instructions, done by the resource *j* and  $S_j$  is the speed of the resource measured in Million Instructions per Seconds (MIPS).

```

For each resource j in the allocated list;
{
  if(FTj > FTn)
    remove j from the list;
}
Sort resources according to LH in ascending order;
j = 1;
while(Replicas > 0)
{
  Select j as a backup resource;
  Replicas--;
  j++;
}
    
```

Fig. 4 – BRS algorithm

Backup resources will be selected from list of the allocated resources. The selection is based on the current load of these resources. Fig. 4 shows the BRS algorithm used to select the backup resources for a job. Firstly, the algorithm selects resources satisfying the condition:  $FT_j < FT_n$ . Then, the selected resources are sorted according to the current

load of each resource. The sorting is done in ascending order. The first *k* resources are selected as the backup resources.

## 8. RESULTS AND ANALYSIS

Grid is a complex environment and it is difficult to build a grid on a real scale to validate and evaluate scheduling algorithms. Therefore, simulation is often used. There exist a number of well-known grid simulators, such as GridSim, SimGrid and NSGrid. However, all the above simulators do not support fault-tolerant and they have limited modeling for grid dynamics [12]. So, we developed a grid simulator using Java 6 to validate and evaluate our proposed fault-tolerant scheduling algorithms.

The simulator provides multiple services. These services include application composition and grid configuration through manual inputs from users, information services for resource discovery and fault detection, services for assigning application tasks to resources and managing their execution, and ability to inject grid with some faults. Also, it allows users to develop, validate and evaluate their own algorithms.

The simulator is portable, since it is available for Windows and Linux, and also other platforms. Also, it provides extensibility and flexibility to simulate the dynamic behavior of the grid. The simulator supports several types of dynamic system modifications such as alternating resource availability. The communication between the simulator’s components is done through using the message passing operations.

In this section, the performance of the proposed algorithms is compared against the performance of the replication-based algorithms in [10] and [12]. The comparison is performed within grid systems with varying load and reliability.

In the simulation experiments, application are modeled with different number of jobs ranges from 1000 to 5000. The size of each job is randomly selected from 1KB up to 10MB. The number of resources in the grid is around 1000 resources.

## 9. GRID LOAD

In this section, we show the performance on grid load. In Fig 5, we observe that the proposed AJR algorithm performs better than the DFTS algorithm [10]. This is because the DFTS algorithm assumed fixed number of replicas for each submitted job. This leads to extra unwanted load. On the other hand, the proposed AJR algorithm assumes a different number of replicas for each job according to the failure tendency of the resources. In general, the grid load of the two algorithms increases with

the increase in the number of jobs submitted. But, the AJR algorithm introduces a lower rate of increase than DFTS algorithm. This leads to a better degree of scalability.

Fig. 6 shows the Grid load comparison between the proposed AJR algorithm and the TR algorithm [12]. In TR, the number of replicas for each job depends on the number of free resources in the grid suitable. It is shown that the proposed AJR algorithm performs better than the TR algorithm [12]. This is because the proposed AJR algorithm considers the failure history of resources when determining the number of replicas for each job.

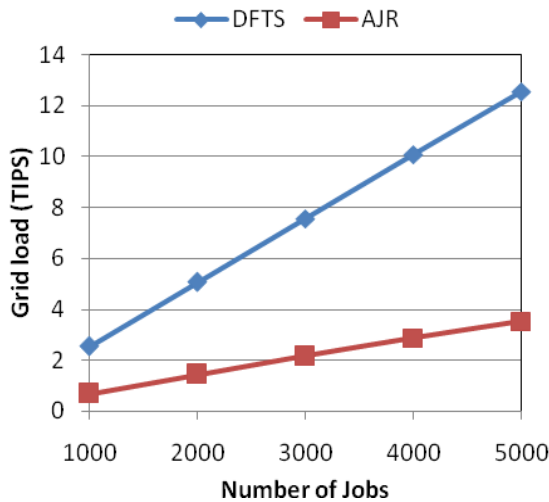


Fig. 5 – Comparison between the proposed AJR algorithm and DFTS algorithm

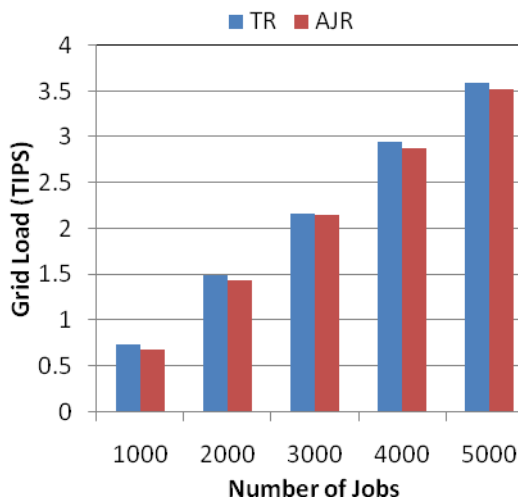


Fig. 6 – Comparison between the proposed AJR algorithm and TR algorithm

### 10. THROUGHPUT

Throughput is one of the most important standard metrics used to measure the performance of fault tolerant systems [9]. It is used to measure the ability

of the grid to accommodate jobs. Throughput is defined as:

$$Throughput(n) = \frac{n}{T_n}, \quad (4)$$

where  $n$  is the total number of jobs submitted and  $T_n$  is the total amount of time necessary to complete  $n$  jobs.

Fig. 7 and Fig. 8 show the throughput comparison of the proposed BRS algorithm with the ATR algorithm in [12] for different number of jobs submitted. The numbers of jobs are 1000, 2000, 3000, 4000 and 5000. The percentage of faults injected in the grid is 10% in Fig. 7 and 20% in Fig. 8.

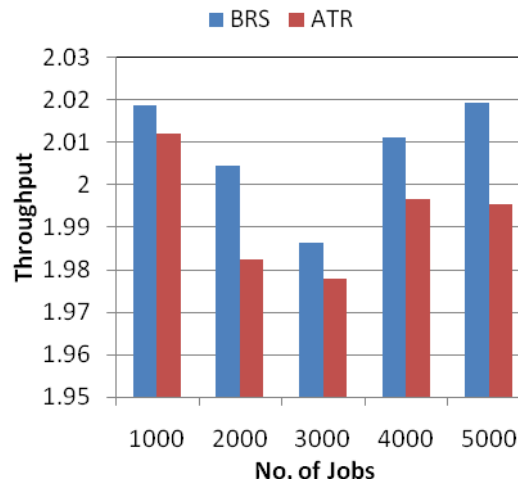


Fig. 7 – Comparison between the proposed BRS algorithm and ATR algorithm with 10% injected faults

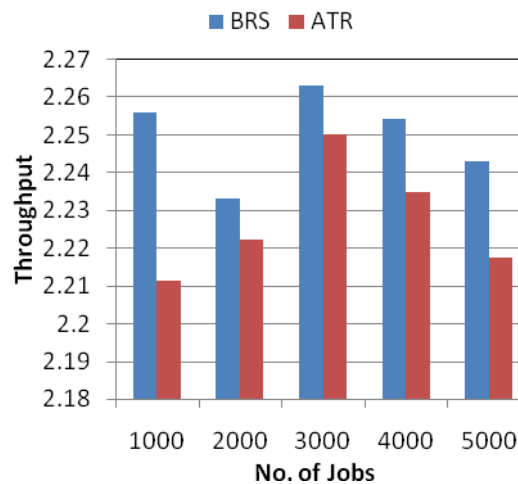


Fig. 8 – Comparison between the proposed BRS algorithm and ATR algorithm with 20% injected faults



It is shown from figures that the throughput of the BRS algorithm is better than the ATR algorithm for the whole range of job numbers. This is because in the BRS algorithm the failure rate and the current load of grid resources are taken into account when selecting the backup resources. On the other hand, The ATR algorithm selects free resources as the backup resources regardless of its tendency to fail. This leads to less faulty resources in the resulting schedule than the ATR algorithm.

## 11. CONCLUSION

In this paper, we proposed a fault tolerant scheduling system for grids that uses job replication mechanism. The system contains two main steps: allocation step and replication step. The main contribution of this paper is in the replication step. Two algorithms have been proposed and presented. The first determines the number of job replications and the second determines the backup resources on which replications will be executed. The performance of the two algorithms is evaluated under different conditions using metrics such as grid load and throughput. From results of experiments, it can be concluded that the proposed provides better performance.

## 12. REFERENCES

- [1] S. Priya, M. Prakash and K. Dhawan, Fault tolerance-genetic algorithm for grid task scheduling using check point, *Proc. of the sixth International Conference on Grid and Cooperative Computing*, Urumchi, Xinjiang, China, August 16-18, 2007, pp. 676-680.
- [2] S. S. Sathya and K. S. Babu, Survey of fault tolerant techniques for grid, *Computer Science Review*, (4) 2 (2010). pp. 101-120.
- [3] Q. Zheng and B. Veeravalli, On the design of communication-aware fault-tolerant scheduling algorithms for precedence constrained tasks in grid computing systems with dedicated communication devices, *J. Parallel and Distributed Computing*, (69) (2009). pp. 282-294.
- [4] H. Lee et al., A resource management system for fault tolerance in grid computing, *Proc. of International Conference on Computational Science and Engineering*, Vancouver, Canada, August 29-31, 2009, pp. 609-614.
- [5] F. Khan, K. Qureshi and B. Nazir, Performance evolution of fault tolerance techniques in grid computing system, *J. Computing and Electrical Engineering*, (36) (2010). pp. 1110-1122.
- [6] S. Hwang, C. Kesselman, A flexible framework for fault tolerance in the grid, *J. Grid Computing*, (1) (2003), pp. 251-272.
- [7] H. Lee et al., A resource management and fault tolerance services in grid computing, *Journal of Parallel and Distributed Computing*, (65) (2005), pp. 1305-1317.
- [8] B. Khoo and B. Veeravalli, Pro-active failure handling mechanisms for scheduling in grid computing environments, *J. Parallel and Distributed Computing*, (70) 3 (2010), pp. 189-200.
- [9] M. Huda, H. Schmidt and I. Peake, An agent oriented proactive fault-tolerant framework for grid computing, *Proc. of International Conference on e-Science and Grid Computing*, Melbourne, Australia, Dec. 5-8, 2005, pp. 304-311.
- [10] J. Abawajy, Fault-tolerant scheduling policy for grid computing systems, *Proc. of 18th IEEE International Parallel and Distributed Processing Symposium*, April 26-30, 2004.
- [11] K. Srinivasa, G. Siddesh and S. Cherian, Fault-tolerant middleware for grid computing, *Proc. of 12th IEEE International Conference on High Performance Computing and Communications*, Melbourne, Australia, Sep. 1-3, 2010 pp. 635-640.
- [12] M. Chtepen, B. Dhoedt, F. Cleays and P. Vanrolleghem, Evaluation of replication and rescheduling heuristics for grid systems with varying resource availability, *Proc. of 18th International Conference on Parallel and Distributed Computing Systems*, Anaheim, CA, USA, Nov. 13-15, 2006, pp. 622-627.
- [13] S. Song, K. Hwang, and Y. Kwok, Risk-resilient heuristics and genetic algorithms for security-assured grid job scheduling, *IEEE Trans. Computers*, (55) 6 (2006), pp. 703-719.



M. Amoon has received the B.S. in 1996, M.S. in 2001, and Ph.D. in 2006 degrees from the computer science department, faculty of electronic engineering, Menofia University. He has been appointed as a Lecturer in the Department of Computer Science and Engineering at Menofia University. Now, he is assistant professor in the Department of Computer Science at King Saud University. His research interests include distributed computing, grid computing, Agent-based systems, Fault-Tolerant Computing and cloud computing.



## РЕКОНФИГУРИРУЕМАЯ СИСТЕМА НА ОСНОВЕ ОДНОРОДНОЙ ВЫЧИСЛИТЕЛЬНОЙ СИСТЕМЫ СО СПЕЦИАЛИЗАЦИЕЙ ЯЧЕЕК

**Анатолий Биленко, Валерий Ситников**

Одесский национальный политехнический университет,  
проспект Шевченко, 1, Одесса, 65044, Украина,  
anatoliy.bilenko@gmail.com

**Резюме:** Рассматривается структура реконфигурируемой системы на основе однородной вычислительной систем со специализацией. Проведен обзор модернизации аппаратной части однородной вычислительной среды, а также методы включения специализированных блоков.

**Ключевые слова:** архитектура ЭВМ, реконфигурируемые системы.

## RECONFIGURABLE CELL-ARRAY (RCA) BASED COMPUTER SYSTEM WITH CELL SPECIALIZATION

**Anatoliy Bilenko, Valeriy Sitnikov**

Odessa National Polytechnic University,  
1, Shevchenko avenue, Odessa, 65044, Ukraine,  
anatoliy.bilenko@gmail.com

**Abstract:** Reconfigurable system based on cell specialization of reconfigurable cell-array computer system is presented. Analysis of specialized reconfigurable cell-array hardware and methods of specialized cell inclusion are given.

**Keywords:** architecture of computer systems, reconfigurable systems.

### ВВЕДЕНИЕ

Развитие реконфигурируемых вычислительных систем характеризуется стремительным повышением сложности вычислений. Это приводит к необходимости оптимального использования аппаратных ресурсов ПЛИС и микросхем, на которых реконфигурируемая система строится.

Весомый вклад в создание методов и средств проектирования реконфигурируемых вычислений внесен отечественными и зарубежными учеными, такими как А.О. Мельник, А.В. Палагин, В.Н. Опанасенко, И.А. Каляев, И.И. Левин, Е.А. Семерников, В.И. Шмойлов, G. Estrin, S. Hauck, D. Patterson. В работах [1-3] показаны существующие подходы к реализации РВУ на основе ПЛИС. Работы [4,5] показывают, подходы, основанные на реконфигурации дополнительных аппаратных средств, созданных на основе ПЛИС.

В статье предлагается подход к реализации

реконфигурируемых вычислений на основе введения дополнительного аппаратного уровня “поверх ПЛИС” – однородной вычислительной системы (ОВС), на основе которого предлагается строиться вычисления.

Наличие специализированных блоков в ПЛИС, ставит задачу оптимального включения этих ресурсов в состав ОВС реконфигурируемой системы.

### 1. ОПИСАНИЕ СТРУКТУРЫ РЕКОНФИГУРИРУЕМОЙ СИСТЕМЫ

Реконфигурируемое вычислительное устройство (РВУ) однородной вычислительной системы (ОВС) состоит из вычислительных ячеек, соединенных с другими ячейками вертикальными и горизонтальными связями, что позволяет существенно сэкономить на количестве соединений, что повышает надежность РВУ, и делает такую

структуру возможной для микроэлектронной реализации. Типовая вычислительная ячейка такой структуры представлена на рис. 1.

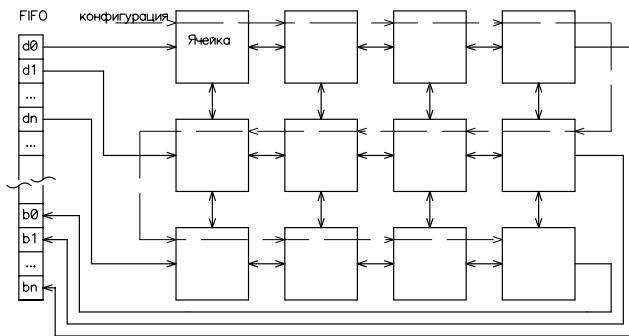


Рис. 1 – Структура матричной ОВС

Процесс конфигурации ячеек заключается в записи конфигурационных данных, называемых программами, в сдвиговые регистры программы (СРП) каждой ячейки ОВС. Все СРП соединены друг с другом в определенном порядке, образуя сдвиговый регистр. Данные, записываемые в каждый СРП, хранятся во внешней памяти, называемой конфигурационной, а сам процесс конфигурации сводится к передаче данных из конфигурационной памяти в СРП ячеек ОВС, рис. 2.

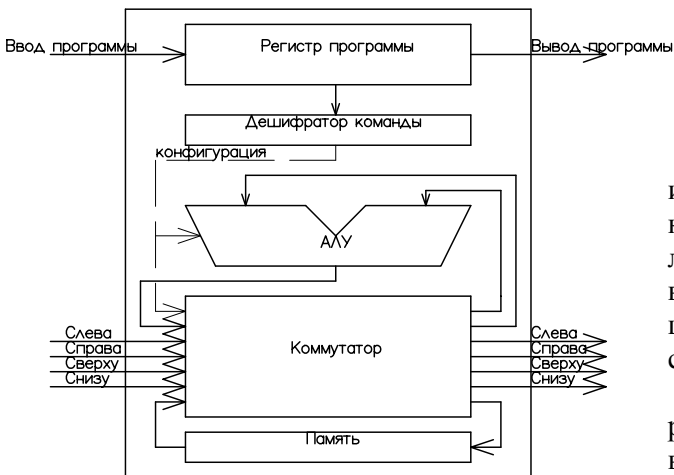


Рис. 2 – Архитектура ячейки матричной ОВС

Ячейка ОВС состоит из регистра программы, дешифратора команды программы, АЛУ, коммутатора и памяти, в которой можно хранить результат прошлой операции АЛУ или значение, переданное через коммутатор. Регистр программы и дешифратор команды ячейки предназначены для конфигурирования АЛУ и коммутатора ячейки, конфигурация которых позволяет выбрать операцию, выполняемую с помощью АЛУ для данного шага вычислений, а также конфигурировать соединения ячеек ОВС матрицы для построения вычислительной структуры.

Необходимость в оптимальном использовании специализированных блоков ПЛИС, а также анализ часто повторяющихся подграфов

информационного графа приводит к постановке задачи специализации структуры РВУ.

## 2. СПЕЦИАЛИЗАЦИЯ СТРУКТУРЫ РЕКОНФИГУРИРУЕМОЙ СИСТЕМЫ

Выбор сложности АЛУ и коммутатора ячейки осуществляется исходя из ограничений, диктуемых поставленной задачей. Очевидно, что АЛУ ячейки должно быть оптимизировано под выполнение операций, наиболее часто используемых в вычислительном процессе, а коммутатор – под разрядность операндов, в которой наиболее оптимально возможно описать вычисление. Проблема специализации ячеек возникает в связи с несоответствием операций, реализуемых на ОВС и архитектурой ячейки ОВС. Можно выделить следующие варианты такого противоречия [5]:

- Операционная вершина информационного графа однозначно соответствует архитектуре ячейки ОВС (полностью специализированная структура);
- Операционная вершина информационного графа частично соответствует архитектуре ячейки ОВС (частично специализированная структура);
- Операционная вершина информационного графа алгоритма не соответствует архитектуре ячейки ОВС процессора (универсальная структура).

Современные ПЛИС фирмы Xilinx и Altera имеют в своем составе специализированные блоки [6,7], предназначенные для применения в областях цифровой обработки сигналов (ЦОС). Эти возможности используются для построения специализированных ячеек способных выполнять сложные операции.

Количество таких блоков ограничено [6,7], а размещение их внутри ПЛИС фиксировано. Очевидно, что размещение ячеек на основе этих блоков в РВУ ОВС тоже будет пространственно зафиксировано.

Предлагается видоизменить структуру РВУ ОВС таким образом, чтобы задействовать ограниченное множество специализированных ячеек ПЛИС. Однако специализация не должна существенно повлиять на структуру РВУ ОВС, а также на разработанное программное обеспечение. Исходя из вышеперечисленных требований и ограничений, предлагается модифицировать структуру РВУ следующим образом: в каждую строку матричной ОВС включается АЛУ, которая разделяется между всеми ячейками этой строки. Соответственно, алгоритмы разделения данного АЛУ должны быть отработаны до этапа реконфигурации системы (рис. 3,4).

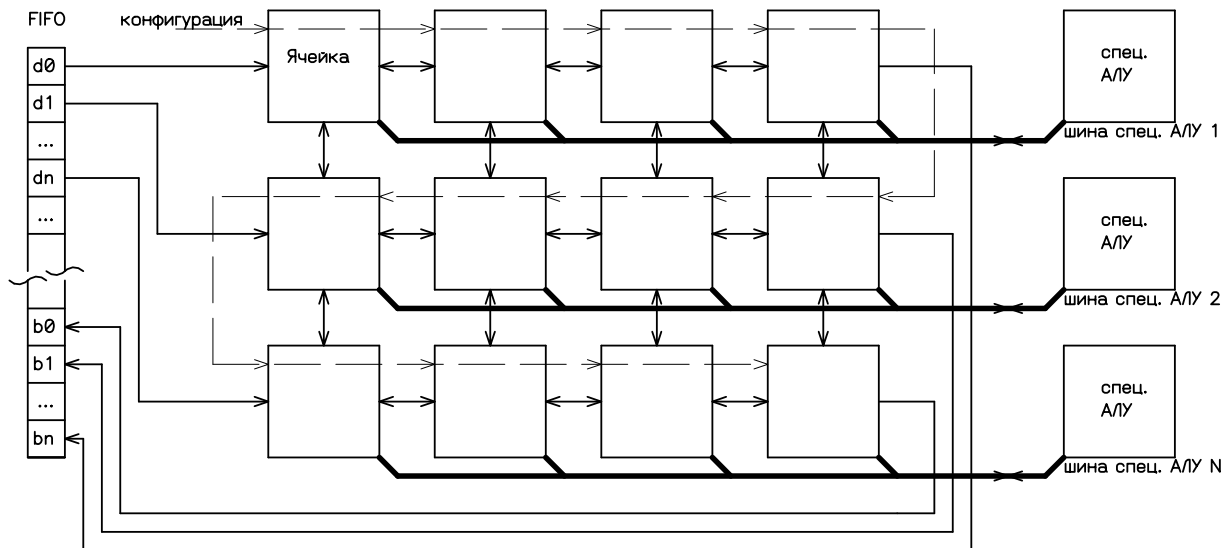


Рис. 3 – Структура видоизмененной матричной ОВС.

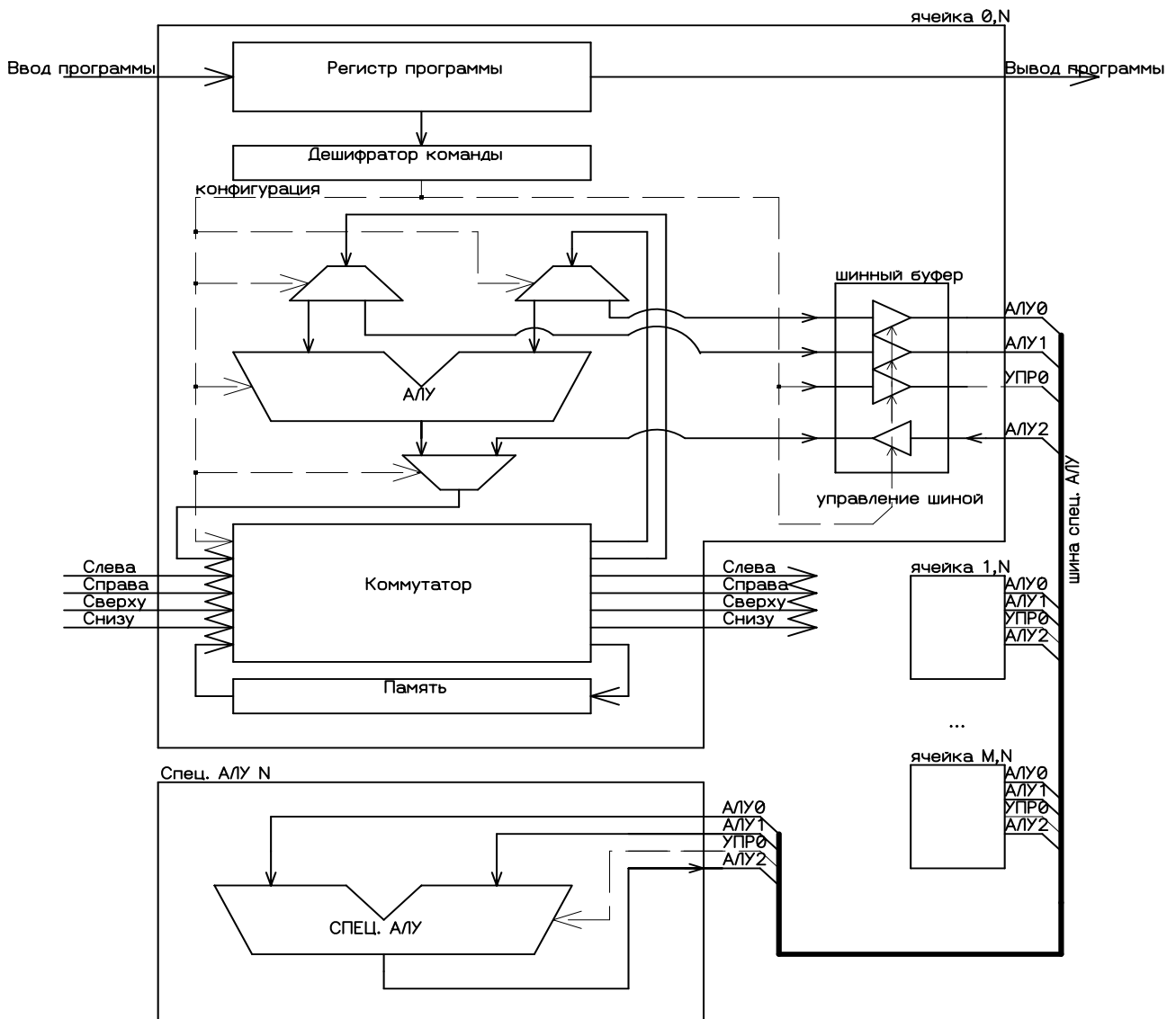


Рис. 4 – Структура ячеек строки и шины матричной ОВС

Как видно, при отключенной шине специализированного АЛУ, структура ячеек РВУ ОВС может быть использована, как и ранее, без изме-

нения программного обеспечения разработки реконфигурируемых систем. Однако при использовании специализированных ячеек возникает за-

дачи выбора, какая ячейка РВУ ОВС подвергнется оптимизации.

### 3. ОБОСНОВАНИЕ ВЫБОРА КРИТЕРИЕВ ОПТИМАЛЬНОСТИ

Определение параметров ячеек, к которым планируется подключать специализированные АЛУ, является задачей оптимизации, для решения которой необходима минимизация следующих показателей:

- Количество ячеек  $S(t)$ , в данный момент времени, занятых под реализацию данного алгоритма (аппаратные затраты, потребление);
- Скорость обработки  $V(t)$  входных данных (производительность, потребление).

При решении поставленной задачи вводятся ограничения, связанные со структурой ОВС, а также, упрощения:

- Ограничения:
  - Количество ячеек  $N_c$  ограничено;
  - Разрядность операндов  $R_o$  ограничена.
- Упрощения:
  - Класс алгоритмов зафиксирован. Это позволяет проанализировать операции используемые в вершинах графа аналитически и наложить определенные ограничения на архитектуру вычислительной ячейки.

Исходя из перечисленных критериев, задача формулируется следующим образом: для каждого элемента множества вычислительных задач  $A$ , существует оптимальная ячейка такая что, выполняются следующие условия (1):

$$\forall A_i \in A \exists \begin{cases} \sum_k S(t) \longrightarrow \min \\ \sum_k V(t) \longrightarrow \max \\ N_c = \text{const} \\ R_o = \text{const} \end{cases} \quad (1)$$

В общем случае, задача оптимального включения и выбора специализированных ячеек для РВУ ОВС описана системой соотношений (1).

Однако, решение системы напрямую, представляет собой комбинаторный перебор вариантов доступных ячеек и их размещений. Временные затраты на такое решение оцениваются как сочетание из  $N_z$  возможных замен в графе алгоритма по  $K_j$  количеству доступных специализированных ячеек для данной структуры РВУ ОВС. Временные затраты на решение комбинаторным методом, выраженные в количестве проходов алгоритмов размещения и трассировки, можно оценить как:

$$\Omega(N_z, K_j) = \frac{N_z!}{K_j!(N_z - K_j)!} \quad (2)$$

Типичное время, затрачиваемое на трассировку и расстановку ячеек информационного графа алгоритма, измеряется в десятках секунд и возрастает с увеличением размера информационного графа алгоритма и структуры РВУ ОВС.

Эффективность работы информационных сетей, выявление её сегментов с высокими значениями использования её узлов, сводится к задаче о максимальном потоке графа сети [8], а оптимальность структуры и её быстродействие – к количеству параллельных участков графа алгоритма [8]. Так как систему (1) в общем виде решить нельзя, то следует использовать функцию максимального потока и параллельных ветвей графа как векторный критерий оптимизации, при нахождении которого, определяют конфигурацию системы.

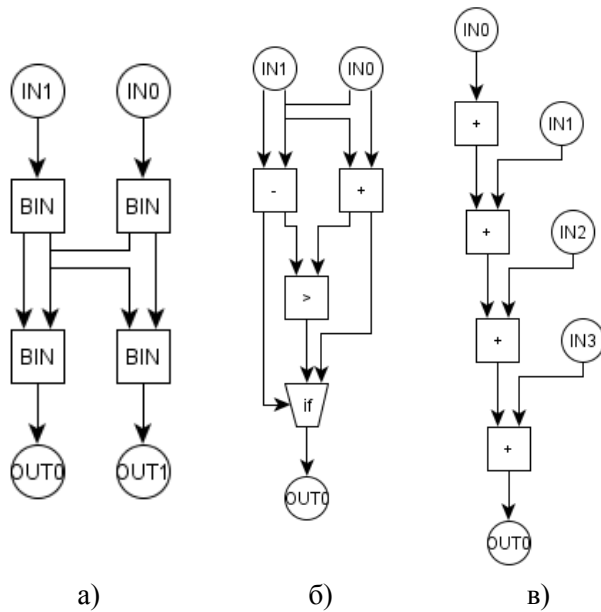
### 4. ОПТИМИЗАЦИИ ЦЕЛЕВЫХ ФУНКЦИЙ

При подготовке к этапу оптимизации структуры РВУ ОВС, необходимо подобрать оптимальные операции для решения поставленной задачи для размещения их в специализированных АЛУ. Например, на рис. 5 представлены информационные графы операций наиболее часто используемых в задачах цифровой обработки сигналов.

Выбор оптимальной замены набора вершин информационного графа производят исходя из критериев оптимальности и наложенных ограничений, представленных в системе (3):

$$\begin{cases} \max_{w \in W_g} (\alpha_1 \cdot \Phi(w) + \alpha_2 \cdot \Psi(w)) \\ \alpha_1 + \alpha_2 = 1 \\ w_i \in W_g, i = 1, N \\ \sum_{i=1}^N w_i = N \cdot w_0 \end{cases} \quad (3)$$

где  $\Phi(w)$  – функция максимального потока через информационный граф, с фиксированными значениями множества допустимых весов ребер  $W_g$ ,  $\Psi(w)$  – функция количества параллельных ветвей информационного графа,  $N$  – количество ячеек для замены,  $w_0$  – исходный вес ребра (рис. 6).



сов ПЛИС в алгоритмах: а) БПФ; б), абсолютной разности; в) фильтрации

После того, как найдено решение системы (3), производят анализ весов  $w_i \in W_g, i = 1, N$ . Вариантами для размещения в специализированных АЛУ являются те ячейки, которые будут соединены ребрами максимального веса.

### 5. ВЫВОДЫ

В статье рассмотрен подход к специализации типовой структуры РВУ ОВС, а также поставлена задача оптимизации структуры специализированной ОВС с возможностью использования существующего подхода разработки программного обеспечения без его изменения. Приведены особенности планирования и организации структуры РВУ со специализацией операций.

Рис. 5 – Подграф алгоритма используемый для увеличения эффективности использования ресур-

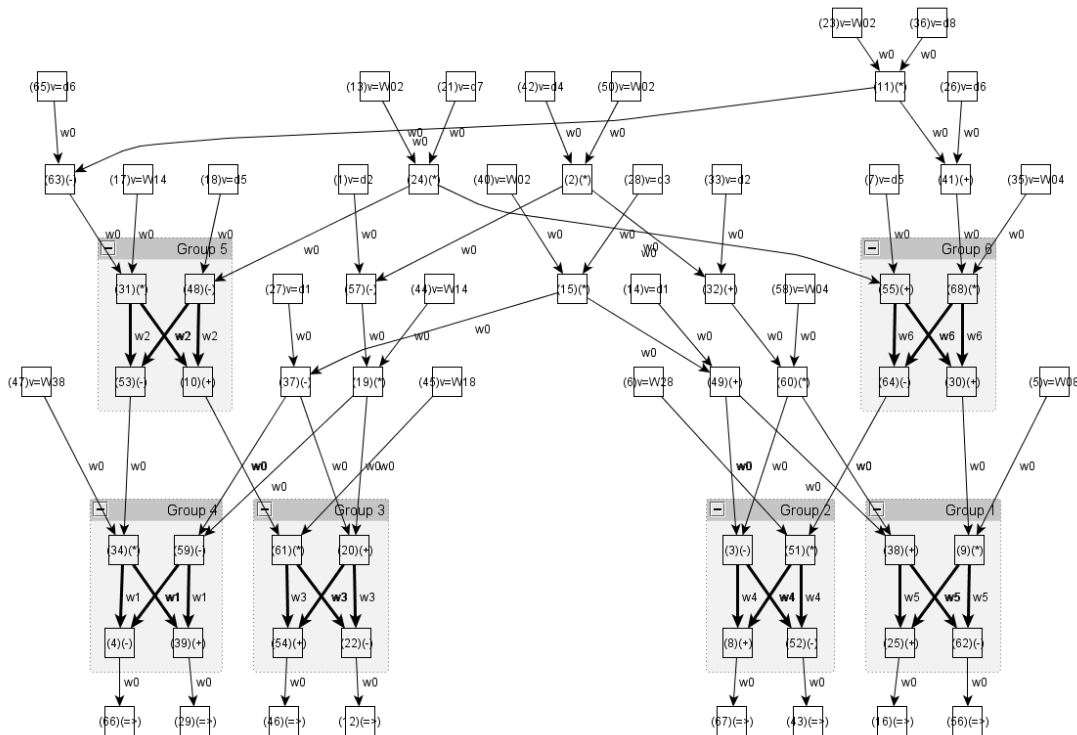


Рис. 6 – Информационный граф и его оптимизируемые ячейки

### 6. СПИСОК ЛИТЕРАТУРЫ

[1] A. Palagin, V. N. Opanasenko, Design of reconfigurable FPGA devices, *Radioelektronik and computer systems*, (6) (2008), pp. 257-260. (in Russian).  
 [2] A. A. Melnik, A. M. Salo, V. A. Klimenko, L. A. Tsyhylyk, A. Yurchuk, Implementation of software specialized processors in reconfigurable accelerators of universal PC, *Bulletin of National. University "Lvivska*

*politehnika" Computer Systems and Networks*, (658) (2009). (in Ukrainian)  
 [3] A. A. Melnik, I. D. Yakovlev, Comparative analysis of methods of matrix representation of algorithms' graphs, *Bulletin of National University "Lvivska politehnika" Computer Systems and Networks*, (658) (2009), pp. 78-84. (in Ukrainian)

- [4] Kaliyev I. A., Levin I. I., Semernikov E. A., Shmoylov V. I., *Reconfigurable computing based on multi-pipeline structures*, Rostov on Don SSC RAN Academy of Sciences, 2008, 393 p. (in Russian)
- [5] N. Lukin, Fundamentals of the theory of architecture design of functional-oriented processors for real-time, *High-performance computing systems, Proceedings of the Fifth International Workshop on Modern School and the Fifth International Youth Science and Engineering Conference*, August 31 - September 6, 2008, Taganrog - Taganrog Iss. TTI SFU, 2008, pp. 115-166. (in Russian)
- [6] LogiCORE IP DSP48 Macro v2.0. web-link: [http://www.xilinx.com/support/documentation/ip\\_documentation/dsp48\\_macro\\_ds754.pdf](http://www.xilinx.com/support/documentation/ip_documentation/dsp48_macro_ds754.pdf)
- [7] DSP Blocks in Stratix & Stratix GX Devices. web-link: [http://www.altera.com/literature/hb/stx/ch\\_6\\_vol\\_2.pdf](http://www.altera.com/literature/hb/stx/ch_6_vol_2.pdf)
- [8] Thomas H. Cormen, Charles E. Leiserson, Ronald L. Rivest, Clifford Stein,

*Introduction to Algorithms*, (third ed.), MIT Press, 2009.

---



**Биленко Анатолий Александрович**, аспирант кафедры “Компьютерные системы” Одесского национального политехнического университета. Основные направления научной деятельности: реконфигурируемые системы, цифровые системы обработки сигналов.



**Ситников Валерий Степанович**, докт. техн. наук, профессор, заведующий кафедры “Компьютерные системы” Одесского национального политехнического университета. Основные направления научной деятельности: цифровые системы обработки и фильтрации сигналов.



## RECONFIGURABLE CELL-ARRAY (RCA) BASED COMPUTER SYSTEM WITH CELL SPECIALIZATION

Anatoliy Bilenko, Valeriy Sitnikov

Odessa National Polytechnic University,  
1, Shevchenko avenue, Odessa, 65044, Ukraine,  
anatoliy.bilenko@gmail.com

**Abstract:** *Reconfigurable system based on cell specialization of reconfigurable cell-array computer system is presented. Analysis of specialized reconfigurable cell-array hardware and methods of specialized cell inclusion are given.*

**Keywords:** *architecture of computer systems, reconfigurable systems.*

Development of reconfigurable computing systems is characterized by a rapid increase in computational complexity. This leads to the problem of optimal use of hardware resources of ICs, reconfigurable system is based on.

Significant contribution to the development of methods and means of reconfigurable computing design was introduced by ukrainian and foreign scientists, such as A.O. Melnik, A. Palagin, V.N. Opanasenko, I.A. Kaliayev, I. Levine, E. Semernikov, V.I. Shmoylov, G. Estrin, S. Hauck, D. Patterson. Several scientific researches [1-3] reveal approaches to implementation of the reconfigurable systems, based on FPGAs. Other papers [4,5] show approaches, based on additional hardware reconfiguration.

In this paper an approach to the implementation of reconfigurable computing based on the introduction of additional hardware layer "on top of FPGAs" is reviewed.

Existing specialized units in the FPGA, sets the problem of optimal inclusion of these resources into the reconfigurable system.

Reconfigurable computing unit (RCU) of the RCA consists of a computational cells, connected with other cells of the vertical and horizontal connections, which can significantly save on the number of connections, which increases the reliability of the system, and this structure makes it possible for microelectronic realization.

The need to optimize the utilization of existing specialized units of FPGA leads to the statement of the problem of RCU structure specialization.

The choice of the structure of RCA cell is

performed according to the constraints imposed by the a given computational task. Obviously, the cell must be optimized to perform operations which are most commonly used in the computation process. The problem of the specialization of cells arises from the mismatch of operations implemented in RCA and RCA cell architecture.

It is proposed to modify the structure of RCU so that use a limited number of specialfunction units of FPGA. However, specialization should not significantly affect the structure of the RCU, as well as the developed software. Considering listed requirements and restrictions, it is proposed to modify the structure of the RCU as follows: in each row of the matrix included specialized ALU, which is shared between all the cells in that line. Accordingly, ALU sharing algorithms need to be run before the reconfiguration stage of the system.

In general, the problem of optimal inclusion and selection of specialized cells for RCU is a combinatorial search of the cells placement variants.

A typical time it takes to trace and place cells of data flow graph (DFG) is measured in tens of seconds, and increases with the size of DFG and the structure of the RCU. This is not acceptable for modern computing systems.

Effectiveness of computer networks and its nodes utilization can be modeled with maximal flow function on the network graph. Performance of the system can be measured by critical path function of the network graph.

While preparation to the stage of RCU structure optimization, it's needed to find optimal operations for given computational task. Such operations



should be included into ALU of RCU. For example, fig. 1 shows typical DFG of operations used in DSP computational tasks.

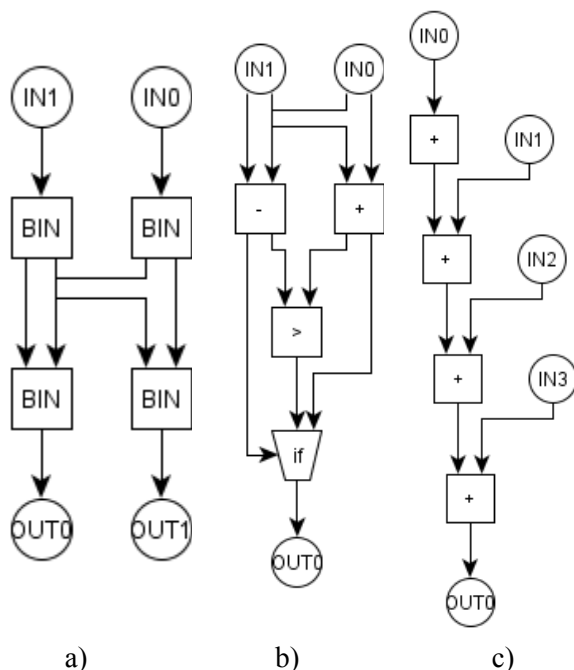


Fig. 1 – DFGs of computational tasks in DSP: a) FFT; b), absolute difference; c) filtering

Selection of the optimal replacement set of the DFG vertices is produced on the basis of optimality criteria and imposed restrictions, represented in the system (1):

$$\begin{cases} \max_{w \in W_g} (\alpha_1 \cdot \Phi(w) + \alpha_2 \cdot \Psi(w)) \\ \alpha_1 + \alpha_2 = 1 \\ w_i \in W_g, i = 1, N \\ \sum_{i=1}^N w_i = N \cdot w_0 \end{cases} \quad (1)$$

where  $\Phi(w)$  is a maximum flow function of its DFG,  $\Psi(w)$  is a function of critical path of given DFG,  $N$  – number of RCU cells to replace by specialized cells,  $w_0$  – starting weight of DFG edge.

Once the solution of system (1) is obtained, DFG edges weight analysis is performed. The variants for placement of specialized ALUs are the cells that are connected by edges of maximum weight.

In the article an approach to specialization of RCU of RCA is reviewed. The task of structure optimization is set. Details of planning and organization of RCU structure is shown.

## REFERENCES

- [1] A. Palagin, V. N. Opanasenko, Design of reconfigurable FPGA devices, *Radioelektronik and computer systems*, (6) (2008), pp. 257-260. (in Russian).
- [2] A. A. Melnik, A. M. Salo, V. A. Klimenko, L. A. Tsyhylyk, A. Yurchuk, Implementation of software specialized processors in reconfigurable accelerators of universal PC, *Bulletin of National. University "Lvivska politehnika" Computer Systems and Networks*, (658) (2009). (in Ukrainian)
- [3] A. A. Melnik, I. D. Yakovlev, Comparative analysis of methods of matrix representation of algorithms' graphs, *Bulletin of National University "Lvivska politehnika" Computer Systems and Networks*, (658) (2009), pp. 78-84. (in Ukrainian)
- [4] Kaliayev I. A., Levin I. I., Semernikov E. A., Shmoylov V. I., *Reconfigurable computing based on multi-pipeline structures*, Rostov on Don SSC RAN Academy of Sciences, 2008, 393 p. (in Russian)
- [5] N. Lukin, Fundamentals of the theory of architecture design of functional-oriented processors for real-time, *High-performance computing systems, Proceedings of the Fifth International Workshop on Modern School and the Fifth International Youth Science and Engineering Conference*, August 31 - September 6, 2008, Taganrog - Taganrog Iss. TTI SFU, 2008, pp. 115-166. (in Russian)
- [6] LogiCORE IP DSP48 Macro v2.0. web-link: [http://www.xilinx.com/support/documentation/ip\\_documentation/dsp48\\_macro\\_ds754.pdf](http://www.xilinx.com/support/documentation/ip_documentation/dsp48_macro_ds754.pdf)
- [7] DSP Blocks in Stratix & Stratix GX Devices. web-link: [http://www.altera.com/literature/hb/stx/ch\\_6\\_vol\\_2.pdf](http://www.altera.com/literature/hb/stx/ch_6_vol_2.pdf)
- [8] Thomas H. Cormen, Charles E. Leiserson, Ronald L. Rivest, Clifford Stein, *Introduction to Algorithms*, (third ed.), MIT Press, 2009.



## ON CHIP MEMORY REDUCTION TECHNIQUE FOR DATA DOMINATED EMBEDDED SYSTEMS

Srilatha Chepure <sup>1)</sup>, Guru Rao C.V. <sup>2)</sup>, Prabhu G. Benakop <sup>3)</sup>

<sup>1)</sup> Department of ECE, ASTRA, Hyderabad, India-500008

<sup>2)</sup> Department of CSE & Principal, KITS, Warangal, India-506015

<sup>3)</sup> Department of ECE & Principal, ATRI, Hyderabad, India-500039

E-mail: deepuaurora@yahoo.com, guru\_cv\_rao@hotmail.com, pgbenakop@rediffmail.com

**Abstract:** *This paper proposes an approach for optimization of on-chip memory size in data dominated embedded systems. Large amount of array processing is being involved in this category. In order to produce a cost effective system, efficient designing of memory module is quite critical. The memory module configuration being selected by the designer should be well suitable for the application. In this regard, this paper presents a methodology for effective optimization of on-chip memory. For sensitive applications involving large array processing, the entire processing has to be done using embedded modules. While using such modules, care should be taken to meet optimized profile for the design metrics. With help of loop transformation technique, relatively a good amount of memory size requirement is reduced for the arrays. This approach results in a very close memory estimate and an effective optimization. This methodology can be further extended to meet the high level memory optimization applications based on cache characteristics. Speech processing front end mechanism is implemented and shows that this approach gives up to an achievement 61.3% reduction of overall system memory requirement over the estimation approach. Results are provided in terms of comparison of the two approaches of memory estimation and optimization with respect to both of the program and data segments.*

**Keywords:** *Embedded systems, memory, estimation, and optimization.*

### 1. INTRODUCTION

In today's embedded systems, memory represents a major bottleneck [1] in terms of cost, performance, and power. Optimal designing of memory space is very crucial in embedded system designing. Also, a large amount of array processing is being involved in current day embedded applications. Hence, it is very critical to come out with methodologies for memory size estimation and optimization. In embedded applications involving large amounts of data processing i.e. Data dominated embedded systems, much power consumption is because of the global communications and memory hit/miss rates. Thus it is important to estimate the memory requirements for the data structures and code segments for that particular application. Memory requirement is defined as the number of locations needed to satisfy the storage requirements of a system. It is very important to effectively predict the system's memory requirements without synthesizing, in order to obtain a high profile end product, as it results in a reduced design time. In this paper, we present an optimization strategy for efficient on-chip memory requirement. Here

memory optimizing transformations are employed to reduce the memory size and number of accesses. This aim at reusing of memory space, thus giving a fast estimate of memory size. Though addressing becomes complex, it is preferable to allow sharing among arrays which aids in optimizing the memory size.

Consider: `int a [xyz];`  
`int b [xyz];`

This involves two arrays in sequential order. As said above, if sharing is allowed between arrays, the memory size reduces as follows:

```
Struct share
{
    int a;
    int b;
}
```

`struct share shared_array[xyz];`

After allowing sharing between arrays, it involves only one structured array. Here the array sharing removes the conflicts between a and b there by improving spatial locality.

The paper is organized as follows: Section 2 briefly reviews some previous work done in the area

of memory estimation and optimization. The proposed methodology is described in Section 3. Section 4 gives a brief description about an exemplary data dominated embedded system along with its memory requirements, while its experiment set up is explained in section 5. Section 6 and 7 shows the results of the task implemented and its conclusion.

## 2. RELATED WORK

Embedded applications have a built in hierarchy. An application is composed of several modules, where each module consists of one or more code and data segments. [2,3] employed optimization by placing of frequently accessed data variables in on-chip SPRAM and placing less frequently accessed data variables in off chip RAM. Partitioning data arrays that are accessed simultaneously in the same processor cycle into different on-chip memory banks [4, 5] forms a good optimization for array dominated systems. [6, 7] showed that swapping critical code and data segments from off-chip memory to on-chip memory before the execution of the appropriate code segment aids in efficient optimization. Except for the swapping technique, which works on both code and data, all the other techniques concentrate only on data. Managing data is very important because most of the embedded applications are data dominated [8]. Stochastic search methods using genetic algorithms [9] were heuristic. Storage allocation methodology [10] employed compilers for estimation. Our approach optimizes memory module, while [11] dealt only with memory allocation process. For general purpose systems whose area of application is wide, the dynamic memory allocation is supported by custom managers [12]. Also, [13, 14] showed memory optimizations and techniques to reduce memory footprint along with power consumption and performance factors on static data for embedded systems. Array based data flow preprocessing considers program size as well as data size [15] is applicable only for partially fixed execution ordering. In [16], the design metric constraints were area and number of cycles, while the proposed methodology also considers power consumption. Live variable analysis along with integer point counting method [17] is not applicable for large multi-dimensional loop nest as it needs complex computations. [18] Is based on analysis of memory size behavior taking into account that signals with non-overlapping lifetimes share same memory locations. Memory system design for video processors [19] had constraints on area, cycle time. [20] proposed data memory size and number of cycles as design metrics. Memory allocation problem [21] was solved by meeting optimum cost

but efficient memory access modes were not exploited. To reduce the power consumption, number of off-chip accesses as well as size of storage during memory optimization, loop transformation reordering is presented in this methodology which is much more beneficial. This proposed methodology is validated by performing experimentation on a data dominated communication module. Our approach even works for multimedia applications involving large array processing.

## 3. APPROACH

The output of our approach is an optimized estimate of the memory size. This paper describes a procedure for memory optimization for low power embedded systems. Here the system consists of a register file, a data cache and an instruction cache on-chip, and a large memory off-chip. The first step of the procedure is application of memory optimizing transformations to reduce the memory size and number of accesses. In involves the application of loop transformations to reduce power in data dominated applications.

Loop transformation aims at regularity and locality of reference. It basically involves the following:

- a) Loop reordering
- b) Loop fission
- c) Loop interchange
- d) Loop fusion

Loop reordering allows arrays to share memory space, thereby reducing the size of the on chip memory. Loop interchange helps to reduce the number of memory reads. The number of memory accesses and the size of storage significantly reduce. However, each transformation has its own special legality test based on the direction vectors and on the nature of loop bound expressions.

### a) Loop reordering

Here the loops which employ arrays that are not alive in the rest of the code are placed at the top such that off chip memory size is reduced. Thus saved memory can be used to accommodate other arrays.

Consider: Loop1: For (i= 0; i<N; i++)  
 $p[i]=q(b[i])$   
 Loop 2: For (i= 0; i<N; i++)  
 $r[i]=f(s[i])$   
 Loop 3: For (i= 0; i<N; i++)  
 $a[i]=f(b[i],c[i],d[i])$   
 Loop 4: For (i= 0; i<N; i++)  
 $t[i]=f(u[i])$

After Loop reordering:

Loop 3: For (i= 0; i<N; i++)  
 $a[i]=f(b[i],c[i],d[i])$   
 Loop1: For (i= 0; i<N; i++)

```

p[i]=q(b[i])
Loop 2: For (i= 0; i<N; i++)
r[i]=f(s[i])
Loop 4: For (i= 0; i<N; i++)
t[i]=f(u[i])
    
```

**b) Loop fission**

For the loops do not have any data dependencies or which involves different access patterns, loop fission is implemented.

```

Consider: For (i= 0; i<N; i++)
For (j= 0; i<N; j++)
p[i,j]=f(p[i,j-1])
q[i+1,j]=f(q[i-1,j])
    
```

After loop fission

```

For (i= 0; i<N; i++)
For (j= 0; i<N; j++)
p[i,j]=f(p[i,j-1])
For (i= 0; i<N; i++)
For (j= 0; i<N; j++)
q[i+1,j]=f(q[i-1,j])
    
```

**c) Loop interchange**

It aids in reducing the memory accesses. Also, it increases the variable usage by which they can be easily stored in registers instead of storing in memory module. Thus, the amount of on chip memory reduces.

```

Consider:
for (n = 0; n < 100; n = n+1)
for (m = 0; m < 100; m = m+1)
for (l = 0; l < 2000; l = l+1)
a[i][j] = 4 * a[i][j];
    
```

After loop interchange

```

for (n = 0; n < 100; n = n+1)
for (l = 0; l < 2000; l = l+1)
for (m = 0; m < 100; m = m+1)
a[i][j] = 4 * a[i][j];
    
```

**d) Loop fusion**

It helps in reducing the number of memory accesses and also the size of off-chip memory. This is done if there are data dependencies between the two fusing loops. This is because loop fusion causes an increase in the size of the loop body which in turn causes an increase in the minimum cache size which in turn causes an increase in the energy consumption.

```

Consider:
for (i = 0; i < N; i = i+1)
for (j = 0; j < N; j = j+1)
a[i][j]= 1/b[i][j] * c[i][j];
for (i = 0; i < N; i = i+1)
for (j = 0; j < N; j = j+1)
d[i][j] = a[i][j]+ c[i][j];
    
```

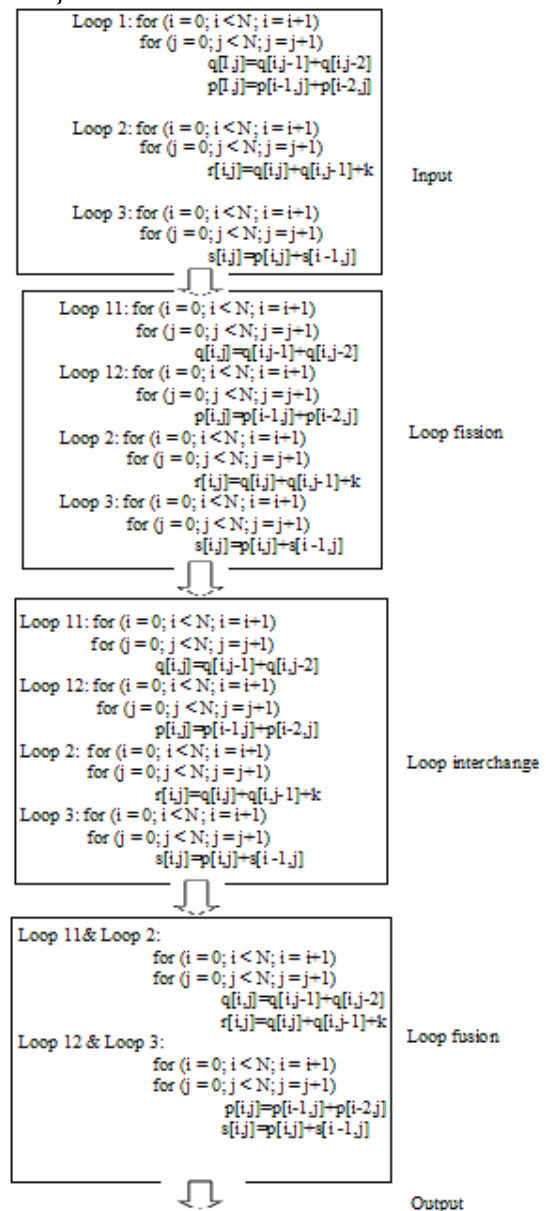
After Loop fusion

```

for (i = 0; i < N; i = i+1)
for (j = 0; j < N; j = j+1)
{
    
```

```

a[i][j] = 1/b[i][j] * c[i][j];
d[i][j] = a[i][j] + c[i][j];
}
    
```



**Fig. 1 – Loop transformation flow**

Thus the loop transformation technique reduces memory requirements, as each iteration involves fewer references. This in turn improves the cache performance significantly. But splitting of the involved references might reduce the number of dependencies inhabited in the loop.

**4. AN EXEMPLARY DATA DOMINATED EMBEDDED SYSTEM: SPEECH RECOGNITION MODULE**

Speech recognition is one of the most significant real time embedded application. In this, the entire signal processing front end mechanism has to be done using embedded modules. It basically requires

efficient memory analysis as they are small in size and are battery powered. As a result, memory analysis of such a system is very valuable for system design. Figure shows the speech recognition system block diagram. The decoder's computation is iterative, and each iteration processes a new observation vector from the speech front end. In every iteration, each state in the recognition network executes two steps:

- 1) Computation of observation probability for the current observation
- 2) Examination all the incoming tokens and selecting the best one.

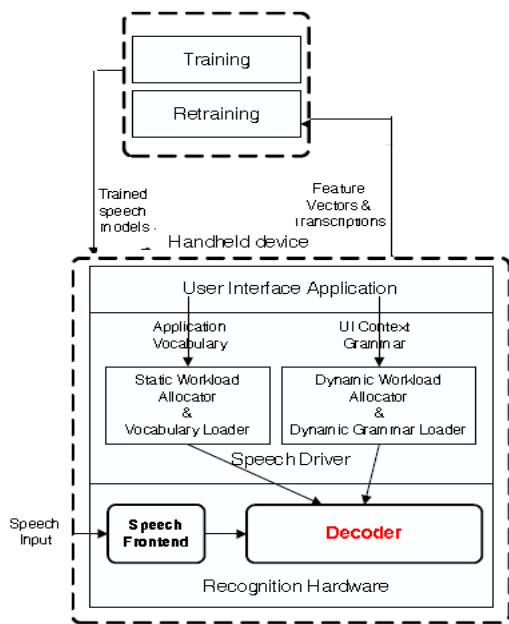


Fig. 2 – Speech recognition block diagram

Markov method is employed for time variants having discrete state spaces. Each of the discrete space state gives out speech perceptions as per its probable distribution. Thus obtained speech perceptions can be either discrete or continuous. They basically represent frames. As the states cannot be observed directly, it is termed as hidden Markov model. The following is the speech recognition algorithm. It consists of two parts. First is the search algorithm and second is the processing part.

Memory bandwidth, a traditional bottleneck in parallelizing speech computation, can be easily overcome by integrating multiple blocks of memory along with required logic on the same chip. This reduces the power consumption as well as memory access latencies.

The system has RAM memory to hold the following:

- Frame length
- Real part of the intermediate FFT radix-2 stages.
- Imaginary part of the intermediate FFT radix-2 stages.

- Mel-filter spaced values
- Quantization tables

Along with the above said, ROM is required to store the following:

- To store Hamming window factors.
- Twiddle factors
- DCT factors

## 5. EXPERIMENTATION

The methodology employed the Texas Instruments TMS320C6701 processor for the experiments and Texas Instrument's Code Composer Studio (CCS) environment for obtaining the profile data. The program memory consists of a 64K-byte block that is user-configurable as cache or memory-mapped program space while the data memory program space consists of two 32K-byte blocks of RAM. Code Composer Studio V2.2 [22] is employed to run the applications. Initially the applications are compiled with the CCS2.2 compiler with the default memory placement made by the compiler. The compiled application is loaded and simulated in the simulator to obtain the profile information. [23,24,25]. the main inputs for experiments on the speech recognition module are the access characteristics of the data segment. Also TI's ASIC memory library is used for the memory allocation step. The kernels of the applications are developed in hand optimized assembly code. The profile data is obtained by running the compiled executable in a cycle accurate software simulator. For obtaining conflict data we used a bank of single-access RAM that fits the application data size. The output profile data contain frequency of access for all data sections.. In the due process, the simulation and the estimation based approaches are analyzed with respect to each of the results.

## 6. RESULTS

### Memory trace

The following are the memory estimation and optimization values obtained.

Parameter	Memory Estimation	Optimized memory
Data segment	14 KB	7.1 KB
Program segment	68 KB	43.2 KB
Total module	82 KB	50.3 KB

Memory trace for the implementation is shown in fig. 3. It considers program and data segments on the X axis and required memory size on the corresponding Y axis. A plot of it results in a memory trace which is the estimated size that caters the storage requirements of both program and data segments in accomplishing the task of signal processing front end mechanism.

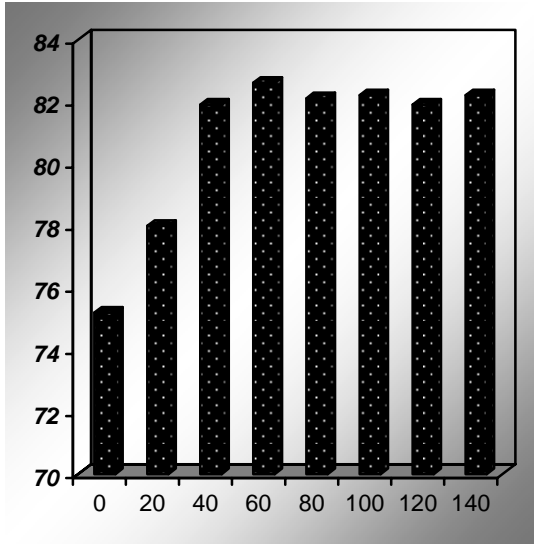


Fig. 3 – Memory estimation for Program and data segments

**Memory optimization**

Fig 4 shows an effective trace yielding in optimized memory requirement. It considers program and data segments on the X axis and required memory size on the corresponding Y axis. With help of loop transformation techniques this methodology results in a reduction of 31.7 Kbytes.

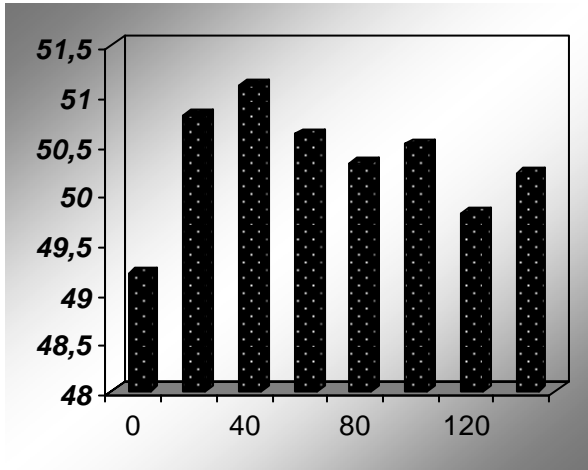


Fig. 4 – Memory optimization for Program and data segments

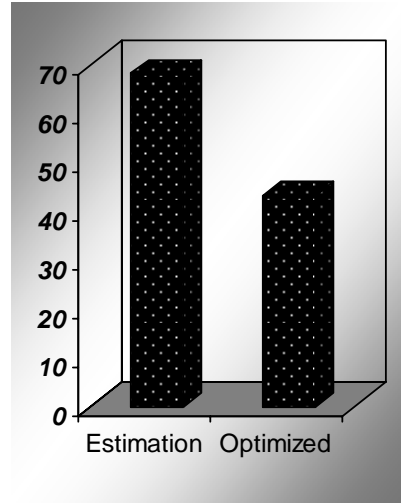


Fig. 5 – Memory estimation and Optimization depiction for program segment

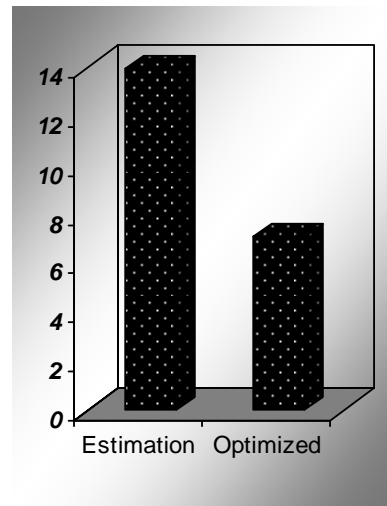


Fig. 6 – Memory estimation and Optimization depiction for data segment

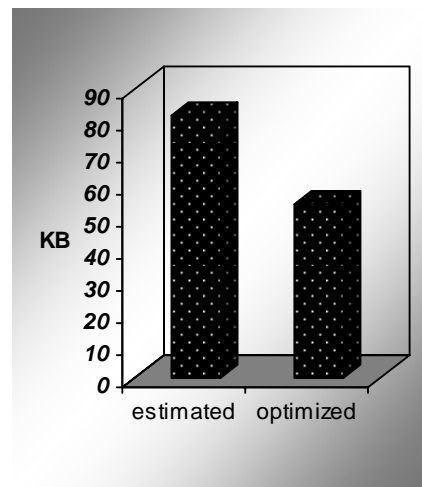


Fig. 7 – Total Memory estimation and Optimization depiction

## 7. CONCLUSIONS

This paper proposes an optimization strategy for memory module in low power embedded systems. The approach presented efficiently optimizes the memory module, in turn optimizing the design time. Loop transformations are applied to reduce the number of off chip memory accesses and also the on chip memory requirement. Also, the methodology is validated by performing experiments on an embedded speech Recognition module, showing an effective reduction in the memory requirement of the system. In this approach, loop level transformations are applied for memory optimization, which considerably reduces the number of memory accesses. Depending upon the results, even algorithm based optimization can be done with an aim of further reducing the memory size.

## ACKNOWLEDGEMENT

This work was partially funded by Aurora's Scientific Technological & Research Academy, India.

## REFERENCES

- [1] Peter Grun, Nikil Dutt, and Alex Nicolau, Access Pattern Based Memory and Connectivity Architecture Exploration, *ACM Transactions on Embedded Computing Systems*, (2) 1 (2003), pp. 33-73.
- [2] O. Avissar, R. Barua, and D. Stewart, Heterogeneous memory management for embedded systems, in *Proceedings of ACM 2nd International Conference on Compilers, Architectures and Synthesis for Embedded Systems (CASES)*, November 2001.
- [3] P. R. Panda, N. D. Dutt, and A. Nicolau, *Memory issues in Embedded Systems-on-chip: Optimizations and Exploration*, Kluwer Academic Publishers, Norwell, Mass., 1998.
- [4] M. Ko and S. S. Bhattacharyya, Data partitioning for DSP software synthesis, in *Proceedings of the International Workshop on Software and Compilers for Embedded Processors*, September 2003.
- [5] M. A. R. Saghir, P. Chow, and C. G. Lee, Exploiting dual data-memory banks in digital signal processors, in *Proceedings of the 7th Intl Conference Architectural Support for Programming Languages and Operating Systems*, (October 1996), pp. 234-243.
- [6] M. Kandemir, J. Ramanujam, and A. Choudhary, Improving cache locality by a combination of loop and data transformations, *IEEE Transactions on Computers*, 1999.
- [7] S. Kirkpatrick, C. D. Gelatt, and M. P. Vecchi, *Optimization by simulated annealing*, Science, 1983, 220 p.
- [8] F. Catthoor, N. D. Dutt, and C. E. Kozyrakis, How to solve the current memory access and data transfer bottlenecks: at the processor architecture or at the compiler level? In *Design, Automation and Test in Europe Conference and Exhibition*, (2000), pp. 426-433.
- [9] J. C. Spall, *Introduction to Stochastic Search and Optimization: Estimation, Simulation, and Control*, Wiley, 2003.
- [10] J. Sjodin and C. Platen, Storage allocation for embedded processors, in *Proceedings of ACM 2nd International Conference on Compilers, Architectures and Synthesis for Embedded Systems (CASES)*, November 2001.
- [11] J. Seo, T. Kim, and P. Panda, Memory allocation and mapping in high-level synthesis: an integrated approach, *IEEE Transactions on Very Large Scale Integration (VLSI) Systems*, (11) 5 (2003).
- [12] RTEMS Research, O.-L. A. RTEMS, Open-source real-time operating system for multiprocessor systems, 2002.
- [13] Panda P.R., Catthoor F., Dutt N.D., Danckaert K., Brockmeyer E, Kulkarni C., Data and memory optimizations for embedded systems, *ACM Trans. Des. Automat. Elect. Syst.* (6) 2 (2001), pp. 142-206.
- [14] Benini L., De Micheli G., System level power optimization techniques and tools, in *ACM Trans. Des. Automat. Embed. Syst.* 2000.
- [15] P. G. Kjeldsberg, F. Catthoor, E. J. Aas, Storage requirement estimation for data intensive applications with partially fixed execution ordering, *Proceedings of 8th International Workshop on Hardware/Software Codesign*, San Diego, (May 3-5, 2000), pp. 56-60.
- [16] M. Kandemir, N. Vijaykrishnan, M. J. Irwin, and W. Ye, Influence of Compiler Optimizations on System Power, *37th IEEE/ACM Design Automation Conference*, (2000) pp. 304-307.
- [17] Y. Zhao, S. Malik, Exact memory size estimation for array computations without loop unrolling, *Proceedings of 36th ACM/IEEE Design Automation Conference*, New Orleans LA, (June 1999), pp. 811-816.
- [18] P. Grun, F. Balasa, N. Dutt, Memory size estimation for multimedia applications, *Proceedings of the 6th International Workshop on Hardware/Software Codesign*, Seattle WA, (March 1998), pp. 145-149.
- [19] S. Dutta, W. Wolf, and A. Wolfe, A methodology on evaluate memory architecture

design tradeoffs for video signal processors, *IEEE Transactions on Circuits and Systems for Video Technology*, (8) 1 (1998).

- [20] P. R. Panda, N. D. Dutt, and A. Nicolau, *Data Cache Sizing for Embedded Processor Applications*, Technical Report ICS-TR-97-31, University of California, Irvine, June 1997.
- [21] H. Schmit and D. E. Thomas, *Array mapping behavioral synthesis*, ISSS, 1995.
- [22] Texas Instruments, <http://focus.ti.com/dsp/docs/>. *Code Composer Studio (CCS) IDE*.
- [23] TMS 320C6201/6701 Evaluation Module, Technical Reference, Texas Instruments.
- [24] TMS320C6000 Code Generation Tools Online Documentation (SPRH014E) 1998-2000 Texas Instruments Incorporated.
- [25] The TMS 320C6X Optimizing C Compilers User's Guide (SPRU 187), Texas Instruments.



**Ms. Srilatha Chepure** received her Bachelor's Degree in Instrumentation Engineering from Osmania University, Hyderabad, India. She is a Master degree holder in Embedded Systems from Jawaharlal Nehru Technological University, Hyderabad, India. Currently,

she is an Assistant Professor at Aurora's Scientific Technological & Research Academy. She has six years of teaching experience at college level. Her area of interest includes embedded systems, Real time systems. She is carrying out her research work in the field of embedded systems under the guidance of Dr. C V Guru Rao, Principal, KITS College, Warangal, India. She has four International paper publication to her credit. She is a life member of Computer Society of India and Instrumentation Society of India.



**Dr. Guru Rao C.V.** received his Bachelor's Degree in Electronics & Communications Engineering from VR Siddhartha Engineering College, Vijayawada, India. He is a double post graduate, with specializations in Electronic Instrumentation and Information Science & Engineering. He received his

M.Tech in Electronic Instrumentation from Regional Engineering College, Warangal, India and M.E in Information Science & Engineering from Motilal Nehru Regional Engineering College, Allahabad, India. He is a Doctorate holder in Computer Science & Engineering from Indian Institute of Technology, Kharagpur, India. With 24 years of teaching experience, currently he is the Professor and Head, department of CSE, SR Engineering college, Warangal, Andhra Pradesh, India. He has more than 35 National and International publications to his credit. He is the Chairman, Board of Studies for Computer Science & Engineering and Information Technology, Kakatiya University, Warangal. Also, he is the Editorial Board member for International Journal of Computational Intelligence Research and Application journal. He is a life member of Indian Society for Technical Education, Instrumentation Society of India, and member of Institution of Engineers, Institution of Electronics & Telecommunications Engineers and Institution of Electrical & Electronics Engineers (USA).



**Dr. Prabhu G. Benakop**, Professor in ECE and the Director of ATRI. He has 24 years of teaching experience. His research interest is in the areas of Microprocessors, Computer Networks and VLSI. He has 32 publications in various national and international conferences and

journals. Presently 8 research scholars are working under him for their Ph.Ds. He is a Senior member of IEEE and life member of ISTE, ISOI.





## ОПРЕДЕЛЕНИЕ ЧИСЛА НЕЙРОНОВ ВЕРОЯТНОСТНОЙ НЕЙРОННОЙ СЕТИ

Галина Щербакова, Виктор Крылов, Олег Логвинов

Одесский национальный политехнический университет  
пр. Шевченко, 1, Одесса, 65044, Украина,  
e-mail: Galina\_onpu@mail.ru

**Резюме:** Разработан метод определения числа нейронов внутреннего слоя для вероятностной нейронной сети на основе определения количества групп данных путем оценки нарушения локальной плотности распределения данных в  $\lambda$ -пространстве на основе помехоустойчивого субградиентного итеративного метода оптимизации. Разработанный метод позволил упростить структуру вероятностной нейронной сети и снизить время классификации.

**Ключевые слова:** вероятностная нейронная сеть, кластеризация, компактность, количество нейронов, субградиентный метод оптимизации.

## THE PROBABILISTIC NEURAL NET NEURON'S NUMBER CALCULATIONS

Galina Shcherbacova, Victor Krylov, Oleg Logvinov

Odessa National Polytechnic University,  
Prospect Shevchenko, 1, Odessa, 65044, Ukraine,  
e-mail: Galina\_onpu@mail.ru

**Abstract:** The sub-gradient method of estimation of the number of the hidden layer neurons of a probabilistic neural network is suggested. This method allows evaluating the data compactness violation in  $\lambda$ -space. This evaluation based on the noise stability sub-gradient iterative optimization method. This method allows reducing the number of the hidden layer neurons and classification time.

**Keyword:** probabilistic neural net, clustering, compactness, neuron's number, sub-gradient optimization method.

### ВВЕДЕНИЕ

Автоматизация технического диагностирования (ТД) по многомерным, коррелированным между собой параметрам при контроле технологических процессов производства, контроле качества, диагностировании неисправностей изделий предполагает использование методов классификации, которые часто реализуют на основе нейронных сетей (НС) [1-8]. Это обусловлено гибкой структурой НС и возможностью быстро переобучать классификатор на их основе при изменении производственной ситуации.

Чаще всего для такой классификации

используют разновидность радиально-базисных НС – вероятностные НС (ВНС), реализующие классификатор Байеса, и многослойные НС с обучением на основе обратного распространения ошибки [4, 8, 9]. Основные особенности разработки таких многослойных НС – необходимость итеративного выбора числа внутренних слоев [9], значительная длительность обучения при разработке и дополнительного обучения НС при изменении производственной ситуации, отыскание локального оптимума функционала качества при обучении. В отличие от них ВНС обучаются быстро и имеют только один внутренний слой. Максимальное количество нейронов этого слоя ВНС

определяется количеством векторов исходных данных. Такой вариант ВНС отличается (в случае больших наборов данных для обучения НС) значительной сложностью структуры сети и большим временем, необходимым для принятия диагностического решения. Поэтому при разработке ВНС важно сократить количество таких нейронов путем группировки близких по значениям данных. Это позволяет упростить структуру ВНС и сократить вычислительные затраты при ее эксплуатации [5, 8].

Для такой группировки и определения количества групп в данных чаще всего используют кластеризацию [6, 8]. Основывается процедура кластеризации, как правило, на гипотезе компактности, когда данные одного кластера сближены, а разных кластеров – разнесены в пространстве признаков [6, 7]. Помехоустойчивость и точность процедуры группировки обусловлены свойствами показателей оптимальности количества кластеров [6]. Эти свойства определяются способами оценки компактности данных кластера и расстояния между кластерами. При оценке этих параметров по единичным максимально сближенным или удаленным в пространстве признаков данным – понижается помехоустойчивость, если при оценке учитываются параметры всего набора данных (с расчетом среднего значения, медианы и других) – повышается помехоустойчивость, но снижается точность. Из-за противоречивости этих свойств даже в случае компактных, удаленных друг от друга кластеров значительное число этих показателей дает неверный результат [6, 7, 13, 14]. В связи с этим с целью обеспечения кластеризации в случае кластеров более сложной формы предложена гипотеза  $\lambda$ -компактности, позволяющая проводить границу между кластерами на основе оценки изменения локальной плотности расположения данных в пространстве признаков [15]. Однако функционал [15]

$$F = h^4 \tau^2 d, \quad (1)$$

на основе  $\lambda$ -компактности позволяет получить кластеры с одинаковым количеством объектов, что не оправданно при группировке данных и может усложнить структуру ВНС. Параметры в (1) характеризуют:  $d$  – расстояние между данными в пространстве признаков;  $\tau$  – локальную неоднородность плотности множества;  $h$  – равномощность кластеров [15].

В связи с этим определение количества групп в данных предлагается проводить, исследуя

критерий  $K = \max(k_i)$  [16],

$$k_i = \frac{f(i+1)}{f(i)}, \quad i \in [1, n-1], \quad (2)$$

где  $f(i)$  – среднее  $\lambda$  – расстояние при добавлении  $i$  – го значения к группе данных.

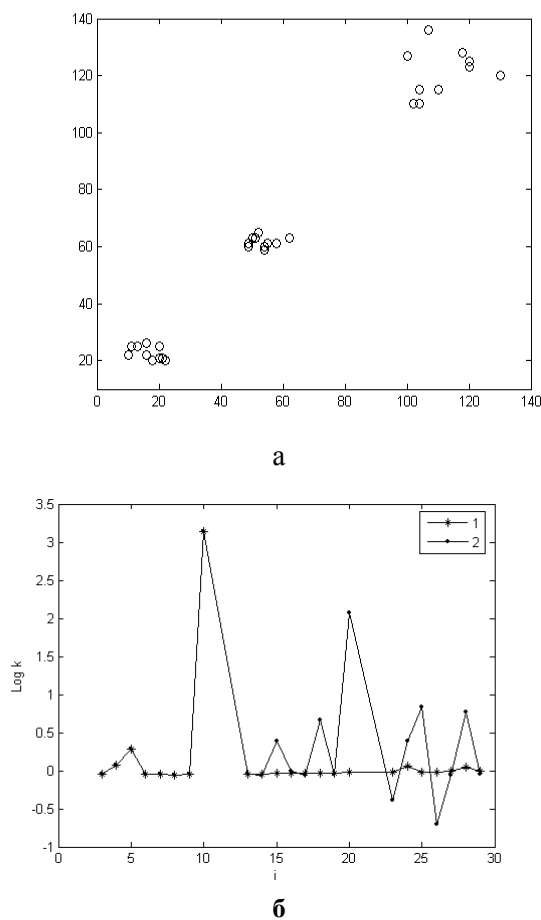
Параметр  $k_i$  в (2) характеризует нарушения локальной однородности распределения данных в  $\lambda$ -пространстве и число групп в них. Изменение этого параметра в зависимости от  $i$  описывается полимодальной, зашумленной зависимостью. В работе [17] для поиска оптимума таких зависимостей при определении количества кластеров предложено использовать разработанный авторами субградиентный метод оптимизации в пространстве вейвлет – преобразования (ВП), с повышенной помехоустойчивостью, низкими погрешностью и чувствительностью к локальным экстремумам [18]. Такой подход позволяет разделить данные на два кластера, так как при оценке  $k_i$  для всего набора данных амплитуда последующих мод меньше первой моды в несколько десятков раз. В связи с этим в данной работе предлагается после расчета  $k_i$  [16, 17] отыскивать максимумы критерия  $K = \max(k_i)$  с помощью этого метода оптимизации [18] итеративно, исключая при оценке  $k_i$  данные, отнесенные к предыдущей группе.

Цель работы – разработать метод определения количества групп в данных и упрощения структуры ВНС. Для достижения этой цели проведен анализ существующих методов группировки на основе методов оценки количества кластеров; разработан метод поиска координат оптимумов критерия  $K = \max(k_i)$  и на его основе – количества групп в данных для обучения ВНС.

## 1. АНАЛИЗ МЕТОДОВ ОЦЕНКИ КОЛИЧЕСТВА КЛАСТЕРОВ

Для оценки количества групп в данных введены показатели на основе оценки отношения дисперсии данных внутри кластера к расстоянию между кластерами [6, 14]. Эти показатели отличаются рядом недостатков. Так, процедура определения показателя Губерта [19] отличается слабой степенью формализации (количество кластеров определяется по координате самого острого угла между отрезками кусочно-линейной кривой на графике). Результат определения числа кластеров субтрактивным методом [11]

зависит от нескольких задаваемых эвристически параметров. У показателей Данна и ряда показателей Беждека-Пала – низкая помехоустойчивость, они в основном ориентированы на разделение кластеров гиперсферической формы [6]. Для определения количества кластеров более сложной формы разработаны методы оценки на основе анализа кратчайшего незамкнутого пути, соединяющего точки в пространстве признаков [20]. Однако такой подход понижает помехоустойчивость. В работе [6] оценка количества кластеров была проведена для тестового набора данных  $X_{30}$  (рис.1, а) с помощью более чем двадцати показателей.



**Рис. 1 – Данные (неименованные) [6] для определения количества кластеров (рис. 1, а); значения  $\text{Log}(k_i)$  (2) по методике [16] (1 на графике) и по предлагаемой методике (2 на графике) (рис. 2, б)**

Эти данные (рис.1, а) неименованные и состоят из трех компактных групп по десять точек в двумерном пространстве признаков.

В результате исследований, проведенных в работе [6] ее авторами верное разделение на кластеры для данных (рис.1, а) показало только около 50% показателей [6].

В связи с этим в работе предлагается определять количество кластеров, перейдя в  $\lambda$ -пространство, оценивая нарушения локальной плотности распределения данных посредством отыскания оптимумов на основе разработанного авторами субградиентного итеративного метода. Поскольку амплитуда второй и последующих мод может быть меньше первой в несколько десятков раз в работе предлагается после расчета  $k_i$  [16, 17] отыскивать максимумы критерия  $K = \max(k_i)$  последовательно, исключая из суммирования при оценке  $k_i$  данные, отнесенные к предыдущей группе (кластеру).

## 2.МЕТОД ВЫБОРА ЧИСЛА ГРУПП

Метод определения числа кластеров (групп) в данных для классификации с помощью ВНС предполагает следующие этапы.

Этап 1. Отображение параметров данных из евклидова в  $\lambda$ -пространство: построение полного графа в евклидовом пространстве; расчет нормированного расстояния между всеми парами его вершин  $d_i = \frac{\alpha_i}{D}$ ; расчет характеристики локальной плотности множества в окрестности  $i$ -го ребра  $\tau_i = \frac{\alpha_i}{\beta_{i \min} \tau_{\max}}$  (здесь

$\alpha_i$  - расстояние между  $i$ -ой парой вершин;  $D$  и  $\beta_{i \min}$  - длина самого длинного и самого короткого ребра;  $\tau_{\max}$  - наибольшее значение  $\tau_i^* = \frac{\alpha_i}{\beta_{i \min}}$ ); расчет длин ребер графа в  $\lambda$ -пространстве как  $\lambda_i = \tau_i^2 \times d_i$  [15].

Этап 2. Построение  $\lambda$ - графа кратчайшего незамкнутого пути согласно  $\lambda p$ - алгоритму с учетом вероятности разрыва его ребра [16]

$$\rho_{iz} = \frac{\lambda_{iz}}{\sum_{j=1}^k \lambda_{iz}}. \quad (3)$$

Этап 3. Расчет показателя качества  $k_j$  (2), если все данные сгруппированы – переход к этапу 5.

Этап 4. Поиск максимума  $K = \max(k_i)$  с помощью субградиентного метода оптимизации [18]. В результате исходное множество объектов разделяется на два кластера (группы). Ребро, соединяющее первую группу с остальными

данными, разрывается. Если оставшихся несгруппированными данных более одного – возврат к этапу 3.

Этап 5. Для каждого кластера определяются координаты его центра (как оценка математического ожидания). Полученные математические ожидания используются как координаты центров радиальных элементов скрытого слоя ВНС [10]. Определяется количество кластеров  $m_1$ .

Этап 6. Определяются расстояния между центрами кластеров. Определяется максимальное расстояние между центрами кластеров  $d_{max}$  и ширина радиальной базисной функции как

$$\sigma = \frac{d_{max}}{\sqrt{2m_1}} [8].$$

Указанный метод был проверен на примере оценки качества паяных соединений при монтаже интегральных схем (ИС) на поверхность путем исследования их отклика на воздействие импульсного лазерного излучения [21]. Для выявления некачественных паяных соединений с помощью ВНС была решена задача классификации и построена поверхность, разделяющая в пространстве признаков ИС с качественными и дефектными паяными соединениями (рис.2, б).

В качестве признаков при распознавании в работе [21] ее автором (Sheng) были выбраны два. Первый признак – это относительное отклонение отклика на воздействие лазерного излучения эталонной ИС с качественными паяными соединениями и исследуемой ИС –  $f(t)$  во временной области

$$Er = \frac{\int (f(t) - r(t))^2 dt}{\int (r(t))^2 dt}. \text{ На рис.2 в соответствии с}$$

терминологией работы [21] этот параметр обозначен как максимальный уровень ошибки. Второй признак – первая собственная частота вибрации ИС с паяными соединениями (преобладающая частота на рис.2 (соответственно обозначениям работы [21])).

При классификации, проведенной по методике автора работы (Sheng) [21] каждый вектор в пространстве признаков соответствует одному нейрону скрытого слоя ВНС. При этом данные, соответствующие качественным паяным соединениям [5,11 0; 5,05 0,1; 5,12 0,15 5,12 0,2] [21] (первый параметр – преобладающая частота вибрации ИС (в сотнях кГц), второй параметр – максимальный уровень ошибки) представляют собой компактную группу в нижней части рис.2, а. Поэтому количество

нейронов ВНС для ИС с качественными паяными соединениями составило 4, для ИС с некачественными паяными соединениями – 16. Время построения разделяющей поверхности при классификации для такой ВНС по методике работы [21] составило 5,9 с.

После группировки исходных данных предлагаемым в этой работе методом количество нейронов ВНС для качественных соединений – два, с координатами в пространстве признаков [5.08 0.05; 5.12 0.175] и для некачественных паяных соединений – пять с координатами [5.15 1.25; 5.0925 0.905; 5.097 0.55; 4.45 0.55; 4.43 0.88]. Время построения разделяющей поверхности при классификации в этом случае составило 2,56 с. Вероятностная нейронная сеть сформирована на основе методики [10] и стандартных программ пакета MatLab [10, 22].

Расчеты проведены на компьютере Intel Celeron D 326, 2533 MHz, 1 Gb ОЗУ в среде MatLab 7.0 [10, 22]. С использованием стандартных программ этого пакета была также проведена группировка данных о качественных и некачественных паяных соединениях двумя методами: с помощью субтрактивной кластеризации [11, 22] и с помощью агломеративного иерархического метода [6, 7].

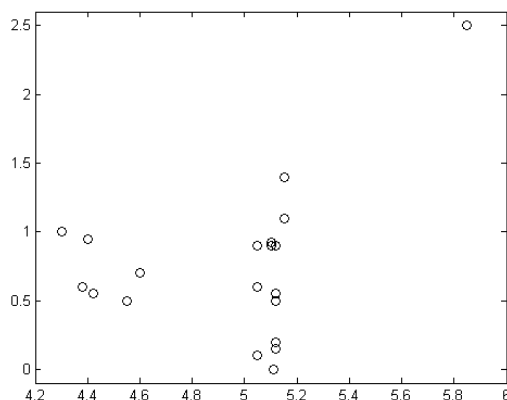
При субтрактивной кластеризации последовательно для каждой точки данных в признаковом пространстве вычисляется мера способности представлять центр кластера. Эта мера позволяет оценивать плотность расположения точек данных в пространстве признаков вокруг исследуемой точки. Данный алгоритм, обобщающий метод кластеризации Р. Ягера (R. Yager), основан на выполнении следующих действий: выбрать точку данных с максимальным потенциалом для представления центра первого кластера; удалить все точки данных в окрестности центра первого кластера, величина которой задается параметром  $rad_{ii}$  [22], чтобы определить следующий кластер и координаты его центра, пока все точки данных не окажутся внутри окрестностей радиуса  $rad_{ii}$  искомым центром кластеров. Количество кластеров при этом зависит от задаваемых эвристически параметров  $options$  функции  $subclust$  и  $rad_{ii}$  [10, 22]. В этой работе набор  $options$  принят как [1,25 0,5 0,15 1] по рекомендациям [22], радиус кластера  $rad_{ii}$  принят равным 0,1.

При кластеризации агломеративным иерархическим методом [6, 7] вначале предполагается, что каждый кластер содержит одну точку данных в пространстве признаков. Объединение данных в группы заканчивают, получив нужное число кластеров. В стандартной

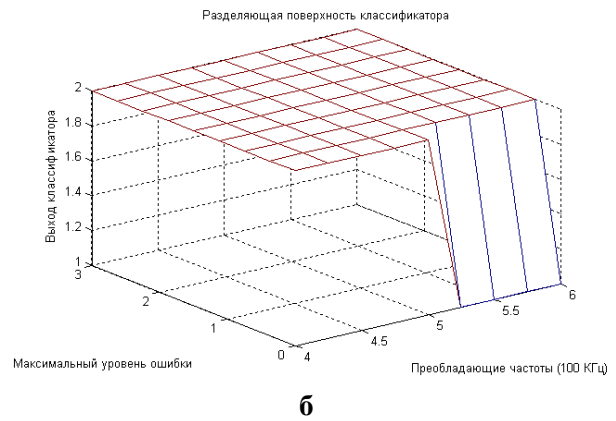
программе cluster пакета MatLab [10, 22] число кластеров определяется путем задания порогового значения параметра inconsistent, определяемого эвристически. В работе этот параметр принят равным 0,7.

В результате при субтрактивной кластеризации данные разделены на 13 групп следующим образом. Для качественных паяных соединений – на три группы с центрами в [5,05 0,1; 5,11 0; 5,12 0,15] и для некачественных – на десять групп с центрами в [5,1 0,9; 5,12 0,55; 4,42 0,55; 4,3 1,0; 4,6 0,7; 5,15 1,4; 4,55 0,5; 5,15 1,1; 4,4 0,95; 5,05 0,6] соответственно. При иерархической кластеризации получено 14 групп данных. Для качественных паяных соединений было определено три группы с центрами в [5,05 0,1; 5,11 0; 5,12 0,175] и для некачественных – 11 групп с центрами [5,15 1,4; 5,1 0,91; 5,1 0,92; 4,55 0,5; 5,15 1,4; 4,35 0,975; 5,12 0,9; 5,05 0,9; 5,12 0,53; 4,4 0,57; 5,15 1,1]. Координаты центра группы оценивались как среднее по каждому параметру. Время построения разделяющей поверхности составило 3,8 с. и 3,85 с. соответственно.

Таким образом, после группировки исходных данных предлагаемым методом по сравнению с методом, предложенным в работе [21], количество нейронов ВНС сократилось почти в 3 раза, время классификации – более чем в 2,3 раза. По сравнению с результатами группировки с помощью субтрактивного [11, 22] и иерархического методов определения количества кластеров [6, 7] количество нейронов, определенное предлагаемым методом, сократилось в 2 раза, время классификации – в 1,4 раза.



а



б

Рис.2 – Данные [21] (рис. 2, а) (по оси абсцисс- преобладающая частота вибрации ИС (сотни килогерц), по оси ординат – максимальный уровень ошибки); результат построения разделяющей классы поверхности по сгруппированным данным (рис. 2, б)

### 3. ВЫВОДЫ

Таким образом, в работе предложен метод определения количества нейронов внутреннего слоя ВНС, который позволил упростить структуру ВНС и за счет этого – сократить время классификации, и может быть рекомендован для применения в практически важных задачах классификации при контроле технологических процессов производства, контроле качества, диагностировании неисправностей изделий.

### 4. СПИСОК ЛИТЕРАТУРЫ

- [1] A. N. Belbachir, M. Lera, A. Fanni, A. Montisci, An automatic optical inspection system for the diagnosis of printed circuit based on neural networks, *40th IEEE Industry Applications Society Annual Meeting*, Hong-Kong, China, (2005), pp. 680-684.
- [2] K. W. Ko, H. S. Cho, Solder joint inspection using a neural network and fuzzy rule-based classification method, *IEEE Transaction on electronics packaging manufacturing*, (23) 2 (2000), pp. 93-103.
- [3] Y. J. Roh, K. W. Ko, H. S. Cho, H. C. Kim, H. N. Joo, S. K. Kim, Inspection of ball grid array (BGA) solder joint using X-ray cross-sequential images, *Part of the SPIE Conference on Machine Vision Systems for Inspection and Metrology*, Boston, Massachusetts, (1999), pp. 168-178.
- [4] J. Wang, W. S. Tang, C. Roze, *Neural network applications in intelligent manufacturing: An updated survey*, Part 2. Computation intelligence in manufacturing handbook. CRC Press LLC. Boca Raton, 2001. 29 p.

- [5] P. D. Wasserman, *Advanced Methods in Neural Computing*, Van Nostrand Reinhold, New York, 1993.
- [6] J. C. Bezdek, N. R. Pal, Some new indexes of cluster validity, *IEEE Transactions on systems, manufacturing and cybernetics*, (28) 3 (1998), pp. 301-315.
- [7] R. O. Duda, P. E. Hart, D. G. Stork, *Pattern Classification*, Wiley-Interscience. John Wiley & Soon Inc. New-York, 2006, 738 p.
- [8] S. Haykin, *Neural Networks. A Comprehensive Foundation*, Second Edition. Prentice Hall. 1998.
- [9] G. Setlak, Artificial Neural Network Using for Classification Tasks Solution in Management, *Radio Electronics, Computer Science, Control*, (1) (2004), pp. 127-135. (in Russian)
- [10] V. S. Medvedev, V. G. Potiomkin, *Neural Networks. MatLab 6*. Moscow, 2002. 485 p. (in Russian)
- [11] M. S. Yang, K.-L. Wu, A modified mountain clustering algorithm, *Pattern Anal. Applic.* (8) (2005), pp. 125-138.
- [12] Y. Z. Tscypkin, *Adaptation and Training in the Automatic Systems*, Moscow, 1968, 400 p. (in Russian)
- [13] I. D. Mandel, *Cluster's Analysis*, Moscow, 1988, 176 p. (in Russian)
- [14] D. L. Davies, D. W. Bouldin, A cluster separation measure, *IEEE Trans. Pattern Anal. Machine Intell.* (1) 4 (1979), pp. 224-227.
- [15] N. G. Zagoruiko, *Applied Methods of Data and Knowledge Analysis*, Novosibirsk, 1999, 270 p. (in Russian)
- [16] S. A. Yudin, Method of image creating in problems of intellectual data analysis, *Thesis for candidate's degree by spetiality 05.13.23 – Systems and instruments of artificial intelligence*, Odessa National Polytechnic University, 2006, (in Russian)
- [17] G. Yu. Shcherbakova, V. N. Krylov, S. G. Antoshchuk. The number of clusters evaluation in time of electronic apparatus state prediction, *Electronics and Communications*, (3) (2010), pp. 91-95. (in Russian)
- [18] V. N. Krylov, G. Yu. Shcherbakova, Sub-gradient iterative optimization method in the wavelet transforming domain, *Zbirnyk naukovykh prac Vijskovogo instytutu Kyjivskogo nacionalnogo universytetu imeni T. Shevchenka*, (12) (2008), pp. 56-60. (in Ukrainian)
- [19] L. J. Hubert, P. Arabie, Comparing partitions, *J. Classification*, (2) (1985), pp. 193-218.
- [20] N. R. Pal, J. Biswas, Cluster validation using graph theoretic concepts, *Pattern Recognition*, (30) 6 (1991), pp. 847-857.
- [21] L. Sheng, System implementation, modeling and defect pattern recognition for flip chip solder joint inspection using laser techniques, *Thesis for degree Doctor of Philosophy. School of Mechanical Engineering Georgia Institute of Technology*, 2001, 146 p. [http://www.me.gatech.edu/charles.ume/UmePage/Documents/Thesis\\_ShengLiu.pdf](http://www.me.gatech.edu/charles.ume/UmePage/Documents/Thesis_ShengLiu.pdf).
- [22] A. V. Leonenkov, *Fuzzy Models in MATLAB and FuzzyTECH*, St. Peterburg, 2003, 736 p. (in Russian)



Галина Щербакова – к.т.н. (1992), доцент кафедры электронных средств и информационно-компьютерных технологий (2002). Научные интересы: распознавание образов.



Виктор Крылов – д.т.н. (2003), профессор кафедры прикладной математики и информационных технологий в бизнесе (2005). Научные интересы: цифровая обработка изображений, распознавание образов.



Олег Логвинов – к.т.н. (1991), старший преподаватель кафедры электронных средств и информационно-компьютерных технологий. Научные интересы: электроника, распознавание образов.



## THE PROBABILISTIC NEURAL NET NEURON'S NUMBER CALCULATIONS

Galina Shcherbacova, Victor Krylov, Oleg Logvinov

Odessa National Polytechnic University,  
 Prospect Shevchenko, 1, Odessa, 65044, Ukraine,  
 e-mail: Galina\_onpu@mail.ru

**Abstract:** *The sub-gradient method of estimation of the number of the hidden layer neurons of a probabilistic neural network is suggested. This method allows evaluating the data compactness violation in  $\lambda$ -space. This evaluation based on the noise stability sub-gradient iterative optimization method. This method allows reducing the number of the hidden layer neurons and classification time.*

**Keyword:** *probabilistic neural net, clustering, compactness, neuron's number, sub-gradient optimization method.*

The diagnostics tasks in the modern plant are solved by the automated classification in the base of the neural networks (NN) [1, 2]. The probabilistic NN (PNN) and multilayer NN has been used to solve a diverse group of classification problems successfully. In this classification PNN competes with the back propagation algorithm [3]. Compared with back propagation, the PNN offers the following advantages. Firstly, the PNN rapid training has. Secondly, with enough training data a PNN is guaranteed to converge to a Bayesian classifier. There is no such guarantee with the back propagation, because long training periods can terminate in a local optimum that may be unsatisfactory solution. At finally, the PNN algorithm allows data to be added or deleted from the training set without lengthy retraining, whereas, any modification to a back propagation training set will generally require a repetition of the entire training process. That's characteristics of the PNN makes it more compatible with many diagnostics problems [3]. The major shortcoming of the PNN is requirements of one neuron of inner layer for each training vector. Approach to overcome this drawback is clustering. Clustering can reduce the number of training vectors by grouping with similar characteristics and by representing them with the cluster centroid. Such way allows to reduce of the PNN structure complexity.

The clustering is based on the two compactness hypothesis. First compactness hypothesis are realized in case the one cluster data are placed at short distance and data of another clusters are placed

far off in the sign space. Second hypothesis is  $\lambda$ -compactness one. This hypothesis allows to divide the data by calculation of their local density in the sign space change. For the number cluster estimation the optimization of crisp cluster validity indexes are used. This indexes estimation based on the compactness or  $\lambda$ -compactness hypothesis of data in the sign space. The major shortcoming of the properties of this indexes (a low noise stability or low accuracy) are determined by the method of estimation of data compactness of cluster and distance between clusters [4]. Therefore these crisp indexes of clusters validity may define number of clusters erroneously about 50 % case, even in the case data are grouping in compact, well separated clusters.

Since a priory information about clusters forms and correlation of the cluster dimensions is absent, the number cluster are calculated by investigation of the criteria  $K = \max(k_i)$  in the  $\lambda$ -compactness base [5]. In this case  $k_i = \frac{f(i+1)}{f(i)}$ ,  $i \in [1, n-1]$  is

the characteristics of the data local homogeneous,  $f(i)$  – is the average  $\lambda$  – distance on the  $i$  algorithm step.

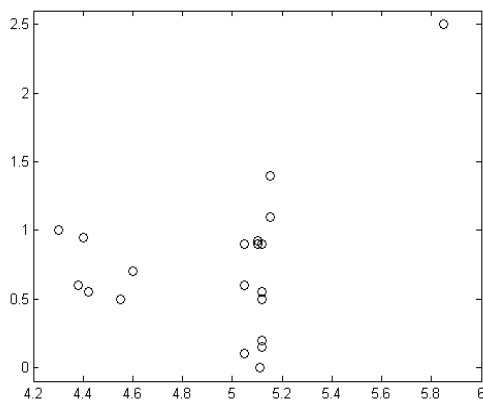
Parameter  $k_i$  characterizes the violation of local homogeneous for data distribution in the  $\lambda$  – space and number of clusters. This parameter has multimodal, noised dependency. For such dependency optimum search the authors work out the sub-gradient iterative optimization method in the

wavelet transforming domain [6]. This noise stability optimization method has high accuracy and low local extreme sensitivity. The  $k_i$  dependency optimum search by this optimization method allows to estimate global maximum of this dependency, and two clusters data has been separated. For number neurons of PNN evaluation it is insufficiently. In such dependency the amplitude of second and following modes are smaller then first mode amplitude about several dozens time. That property makes the number cluster estimation difficult.

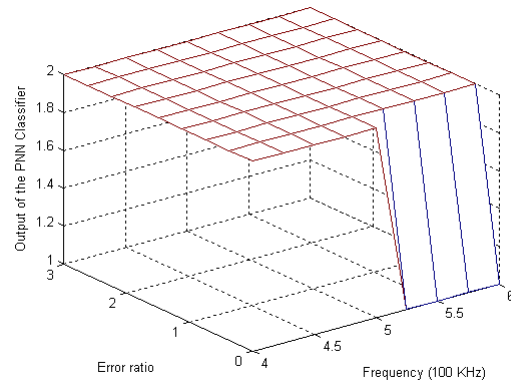
Therefore we suggest:

- data transforming in the  $\lambda$  – space [5];
- $k_i$  calculation;
- optimum search of  $K = \max(k_i)$ ;
- previous group data except from addition;
- $k_i$  calculation without previous group data; .
- optimum search of  $K = \max(k_i)$  end so on.

The estimation method for inner layer neurons number PNN is suggested. This method has been applied in solder joint quality inspection task (fig.1). This method allows to reduce almost three time the neuron number for inner layer PNN and classification time almost in 2,5 time in solder joint quality inspection task as compared with data [7] when grouping (clustering) are absent. As compared with the hierarchical clustering method [2,4] and subtractive clustering method [8] the sub-gradient method of estimation for inner layer neurons number allow reduce neuron number in 1,3 time and classification time in 1,2 time.



a



b

**Fig. 1 – Feature vector distribution of sample chips (a); output of the PNN classifier (b)**

## REFERENCES

- [1] J. Wang, W. S. Tang, C. Roze, *Neural Network Applications in Intelligent Manufacturing: Part 2*, Computation intelligence in manufacturing handbook. Boca Raton, 2001, 29 p.
- [2] R. O. Duda, P. E. Hart, D. G. Stork, *Pattern Classification*, New York, 2006, 738 p.
- [3] P. D. Wasserman, *Advanced Methods in Neural Computing*, New York, 1993.
- [4] J. C. Bezdek, N. R. Pal, Some new indexes of cluster validity, *IEEE Transactions on systems, manufacturing and cybernetics*, (28) 3 (1998), pp. 301-315.
- [5] N. G. Zagoruiko, *Applied Methods of Data and Knowledge Analysis*, Novosibirsk, 1999, 270 p. (in Russian)
- [6] G. Shcherbakova, V. Krylov, S. Antoshchuk, Electronic apparatus automation inspection with adaptive clustering in wavelet domain, *Proc. of the X<sup>th</sup> International Conference “Experience of Designing and Application of CAD Systems in Microelectronics” (CADSM’ 2009)*, Ukraine (2009), pp. 153-154.
- [7] L. Sheng, System implementation, modeling and defect pattern recognition for flip chip solder joint inspection using laser techniques, *Thesis for degree Doctor of Philosophy*, 2001, 146 p.
- [8] M. S. Yang, K.-L. Wu, A modified mountain clustering algorithm, *Pattern Anal. Applic.* (8) (2005), pp. 125-138.





## МОДЕЛЮВАННЯ ПРОЦЕСОРІВ ФОРМУВАННЯ ТА ЦИФРОВОГО ОБРОБЛЕННЯ СИГНАЛІВ В КОМП'ЮТЕРНИХ СИСТЕМАХ З ВІДКРИТИМИ ОПТИЧНИМИ КАНАЛАМИ

Тарас Гринчишин, Ярослав Николаичук

Відкритий міжнародний університет розвитку людини "Україна", Івано-Франківська філія,  
вул.Набережна 42а, м. Івано-Франківськ, 76000 Україна  
e-mail: gtarasm@rambler.ru

**Резюме:** У даній статті запропонована нова методика безнадлишкового сигнального кодування біт-орієнтованих інформаційних потоків з використанням кодів поля Галуа, яка значно оптимізує і покращує відомі методи цифрового опрацювання даних з виявленням та виправленням помилок, та ефективно реалізується на основі запропонованих структур спеціалізованих процесорів цифрового оброблення сигналів.

**Ключові слова:** безнадлишкове кодування, спеціалізований процесор, коректуючий код, програмний модуль, алгоритм.

## SIMULATIONS OF PROCESSORS FOR FORMING AND DIGITAL SIGNAL PROCESSING IN COMPUTER SYSTEMS WITH OPEN OPTICAL CHANNELS

Taras Grynchyshyn, Yaroslav Nykolaychuk

An open international university of development of human is "Ukraine", Ivano-Frankivsk branch,  
Nabereghna str. 42a, Ivano-Frankivsk, 76000 Ukraine  
e-mail: gtarasm@rambler.ru

**Abstract:** In this article new methodology of unsurplus signals code of bit-oriented informative streams is offered with the use of codes of the field of Galois, that considerably optimizes and improves the known methods of the digital working of data with an exposure and correction of errors, and effectively realized on the basis of the offered structures of the special processors of digital treatment of signals.

**Keywords:** unsurplus code, special processor, correcting code, programmatic module, algorithm.

### ВСТУП

В сучасних інформаційних системах для передавання даних найширшого застосування отримали методи імпульсної, а в окремих випадках потенціальної маніпуляції [1].

Імпульсні методи маніпуляції сигналів найчастіше використовують на низових рівнях комп'ютерних мереж, в цифровій телефонії, а також комп'ютерних системах з оптичними каналами. Оскільки дані методи використовують обмежену частину енергії на інтервалі тривалості сигналу, а також потребують широкої смуги частот в каналі зв'язку, ефективність їх недостатньо висока [2].

Потенціальні методи характеризуються підвищеною енергією сигналів, що передаються, та бувають двох типів: без самосинхронізації і з самосинхронізацією. Для виявлення помилок при передаванні сигналу використовують стандартні методи на основі рекурентних надлишкових коректуючих кодів типу HDLC, NR-IL, KT-1 [3].

В загальному випадку надлишковість даних, які передаються згідно стандартного протоколу, можна оцінити у вигляді коефіцієнта надлишковості як відношення об'єму даних, що передаються, до об'єму вхідних даних, які підлягають передачі, згідно аналітичного виразу:

$$K_n = V_k / V_x, \quad (1)$$

де  $V_k$  – об'єм даних, що передаються,  $V_x$  – об'єм вхідних даних.

$$V_k = V_c + V_x, \quad (2)$$

$$V_c = V_\Phi + V_A + V_Y + V_{kk} + V_B \quad (3)$$

$V_c$  – об'єм службових даних;

$V_\Phi, V_A, V_Y, V_{kk}, V_B$  – відповідні об'єми: кодів флага, адреса станцій, типу фрейму, коректуючого коду, символів біт-стаффінга.

З метою оцінки надлишковості існуючих протоколів типу HDLC, HP-IL, КТ-1 проаналізовані структури фреймів, які формалізовані на основі аналітичних виразів:

$$K_n(\text{HDLC}) = (V_\Phi + V_A + V_Y + V_{kk} + 2^b + 2^k \cdot 8) / 2^k \cdot 8;$$

$$K_n(\text{HP-IL}) = (3 + 2^k \cdot 8 + V_{kk}) / K_{\text{ФС}} \cdot 2^k \cdot 8;$$

$$K_n(\text{КТ-1}) = (4 + 2^k \cdot 8 + V_{kk}) / K_{\text{ФС}} \cdot 2^k \cdot 8.$$

$$K_{\text{ФС}}(\text{HDLC}) = 0.5; K_{\text{ФС}}(\text{HP-IL}) = 0.3; K_{\text{ФС}}(\text{КТ-1}) = 1.$$

де  $K_n$  – коефіцієнта надлишковості,  $K_{\text{ФС}}$  – коефіцієнт форми сигналу.

В результаті отримано графік надлишковості передавання даних існуючими методами (рис.1).

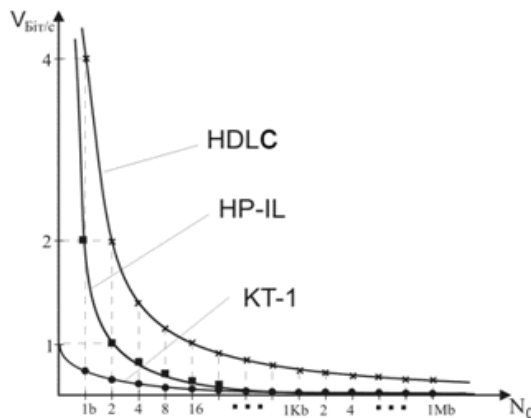


Рис. 1 – Надлишковість передавання даних протоколами HDLC, HP-IL, КТ-1.

Аналіз рис.1 показує, що надлишковість існуючих протоколів різко зростає при малих об'ємах даних, які передаються, що характерно тільки для низових рівнів комп'ютерних мереж. Тому їх застосування в комп'ютерних системах є недостатньо ефективно і потребує вдосконалення як в теоретичному, так і в практичному планах [4].

## МЕТОДИ БЕЗНАДЛИШКОВОГО СИГНАЛЬНОГО КОДУВАННЯ НА ОСНОВІ КОДІВ ГАЛУА

Поняття безнадлишкового сигнального кодування базується на принципі створення кодів з можливістю виявлення та виправлення помилок, які не призводять до збільшення числа

сигналів при передаванні біт-орієнтованих потоків даних [5-7].

Суть методів безнадлишкового сигнального кодування з можливістю виявлення та виправлення помилок полягає в тому, що при формуванні такого класу кодів використовується до п'яти сигнальних ознак наступного типу: фронт наростання  $\uparrow$  ( $\wedge$ ); фронт спаду  $\downarrow$  ( $\vee$ ); додатній потенціал  $\text{—}|(+)$ ; від'ємний потенціал  $\text{—}|(-)$ ; нульовий потенціал  $\text{—}|(S)$ .

Запропоновано чотири можливих способи формування такого класу кодів [2,3]: позиційно сигнальний код (ПСК); несиметричний рекурентний сигнальний код (НРСК); рекурентний симетричний сигнальний код (РССК); квазі-символьний сигнальний код (КССК) [8].

Метод формування позиційно-сигнального коду (ПСК) полягає в наступному представленні сигнальних та кодових послідовностей:

$$G_0^1 \Rightarrow \text{"+"}; G_0^0 \Rightarrow \text{"-"}; G_1^1 \Rightarrow \text{"\wedge"}; G_1^0 \Rightarrow \text{"\vee"}.$$

Біт "нуль", який на сигнальному рівні кодується в Галуа одиницю, представляється сигналом +1 і відповідним символом "+" в кодовому вигляді. Біт "нуль", який кодується в Галуа нулем, на сигнальному рівні, представлено потенціалом -1, а в кодовому вигляді відповідним символом "-". Біт "одиниця", яка кодується в Галуа одиницю, представляється фронтом наростання на сигнальному рівні або символом  $\wedge$ . Біт "одиниця", яка кодується в Галуа символом нуль, представляється фронтом спаду на сигнальному рівні або символом  $\vee$  в кодовому вигляді.

На рис.2 представлена символіка розрядно-позиційного сигнального коду Галуа для півбайтових потоків даних, що відповідає потоку цифр.

1	1	1	1	0	0	0	0
G1	G1	G0	G0	G1	G1	G0	G0
↑	↑	↓	↓	+1	+1	-1	-1
∧	∧	∨	∨	+	+	-	-

Рис. 2 – Представлення кодів ПСК на сигнальному рівні

Позитивною характеристикою ПСК є можливість виявлення та в окремих випадках виправлення помилок типу "стирання" та "вставок" бітів, які можуть виникати під впливом мультиплікативних завад (див. табл.1).

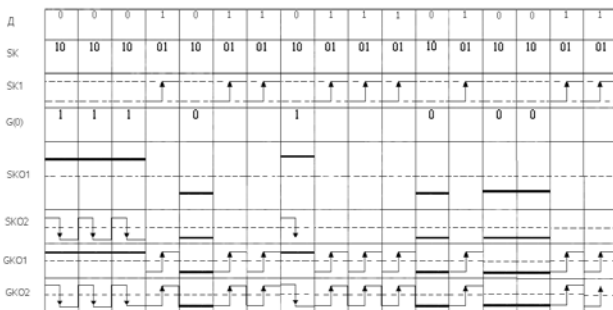
**Таблиця 1. Коректуючі властивості ПСК**

$N_n$	код даних	start	$G_1$	$G_1$	$G_0$	$G_0$	stop	Кодове представлення даних
0	0000							--- ++ -- +++
1	0001					↓		--- ++ -v +++
2	0010					↓		--- ++ v- +++
3	0011					↓		--- ++ vv +++
4	0100							--- +Λ -- +++
5	0101					↓		--- +Λ -v +++
6	0110					↓		--- +Λ v- +++
7	0111					↓		--- +Λ vv +++
8	1000							--- Λ+ -- +++
9	1001					↓		--- Λ+ -v +++
10	1010					↓		--- Λ+ v- +++
11	1011					↓		--- Λ+ vv +++
12	1100							--- ΛΛ -- +++
13	1101					↓		--- ΛΛ -v +++
14	1110					↓		--- ΛΛ v- +++
15	1111					↓		--- ΛΛ vv +++

Функціональним обмеженням є відсутність можливості визначення числа нулів та одиниць в блоці даних.

Принцип формування НРСК полягає в тому, що послідовність нулів, які передаються в пакеті даних, нумерується рекурентним кодом Галуа  $G_2^k$ . Причому біт Галуа "1" передається фронтом спаду, тобто маніпуляційним сигналом "10", а нулі бітів Галуа передаються сигналом "00". Для передавання одиниць використовується фронт наростання. В результаті такого способу формування сигналів виникає можливість виявлення помилок при передаванні даних, на базі рекурентних властивостей коду Галуа (див. табл.2).

**Таблиця 2. Реалізація методу сигнального кодування даних, з використанням кодової послідовності Галуа  $G_2^3$  методом НРСК**



В табл.2 введені наступні позначення:

D- дані, які передаються; SK – сигнальний код каналу зв'язку (Манчестерський код); SK1– сигнальний код передавання "1" в каналах зв'язку; G(0) – код Галуа, який нумерує нулі; SK01 – сигнальний код нулів, коли біт-Галуа "1" передає кодом "11", а біт-Галуа "0" передає кодом "00"; SK02 – сигнальний код нулів, коли біт-Галуа "1" передає "10", а "0" —> "00"; GK01 – сигнальні коди маніпуляції, в яких нулі нумеруються кодом Галуа; GK02 – сигнальні коди маніпуляції, в яких нулі нумеруються кодом Галуа по фронту спаду.

Сигнальний код GK02, внаслідок використання сигналів фронту спаду для одиничних бітів коду Галуа, забезпечує кращу

бітову синхронізацію по відношенню до сигнального коду GK01, в якому використовуються тільки потенціальні сигнали.

Функціональним обмеженням такого коду є відсутність можливості визначення загального числа нулів в блоці даних, оскільки модуляційний код Галуа повторюється багато разів. Крім того, викладений принцип сигнального кодування даних в базисі Галуа, як видно з табл.2, характеризується функціональним обмеженням, який полягає в тому, що при повторенні нулів і їх кодуванні в базисі Галуа потенціальними сигналами "-1" відсутня бітова синхронізація.

Модифікацією НРСК є використання коду Галуа для одночасного симетричного сигнального формування нулів і одиниць потоку даних, при чому об'єм коду Галуа відповідає об'єму даних, що передаються (РССК).

В табл.3 показані приклади формування сигналів даної модифікації РССК, при  $G_2^4$ , де сигнали +1 та -1 нульових позицій коду Галуа формуються згідно нульових позицій коду Галуа.

**Таблиця 3. Формування сигналів модифікованим РССК, при  $G_2^4$**

		d1	d2	d3	d4	d5	d6	d7	d8	d9	d10	d11	d12	d13	d14	d15	d16
	D	0	0	0	0	0	0	0	0	0	0	0	0	0	0	0	0
1	$G_2^4$	1	1	1	1	0	1	0	1	1	0	0	1	0	0	0	0
	SK	↘	↘	↘	↘	—	↘	↘	↘	—	↘	—	—	—	—	—	—
	CK	∨	∨	∨	∨	+	∨	+	∨	∨	+	+	∨	+	+	+	+
2	D	1	1	1	1	0	0	0	0	1	0	1	1	0	0	1	1
	$1G_2^4$	1	1	1	1					0	1	0				1	1
	SK1	↘	↘	↘	↘					—	↘	—				↘	↘
3	D	1	1	1	1	1	1	1	1	1	1	1	1	1	1	1	1
	$G_2^4$	1	1	1	1	0	1	0	1	1	0	0	1	0	0	0	0
	SK	↘	↘	↘	↘	—	↘	—	↘	↘	—	—	↘	—	—	—	—
	CK	∧	∧	∧	∧	—	∧	—	∧	∧	—	—	∧	—	—	—	—

В табл.3 SK і CK – відповідно сигнальні і символні коди.

З табл.3 видно, що в блоці даних об'ємом  $N=2^4$  завершення послідовності нулів відповідає коду Галуа 1010 і завершується символами ∨+ ∨+, тобто  $N=7$ , згідно  $G_2^4$ . А завершення послідовності одиниць в код Галуа відповідає символам ∧- ∧ ∧, тобто коду Галуа 1011,  $N=9$ .

Функціональним обмеженням даного методу формування сигнального коду є недостатньо ефективна символна (бітова) синхронізація при повторенні потенціальних сигналів +1 або -1.

Таким чином, РССК забезпечує ефективне симетричне кодування у вигляді кодів Галуа послідовності нулів і одиниць блоку даних з однозначним визначенням їх числа  $N_0 + N_1 = N$ , яке може бути використане для виявлення та

виправлення помилок після передавання даних в комп'ютерних системах.

Метод формування безнадлишкових квазісимвольних сигнальних кодів (КССК) полягає в тому, що будь-яка з п'яти ознак сигналу може бути використана в якості синхросигналу (S), який використовується при повторенні однієї з інших ознак сигналів, тому даний метод маніпуляції належить до класу квазісимвольних.

Даний спосіб маніпуляції відповідає числу сигнальних ознак  $N=2^k + 1$ , де  $k=2$ , а  $S=0$  потенціал "—", причому потенціал нуль використовується для виключення повторень інших сигналів, що забезпечує якісну символію синхронізацію на основі сигнальних просторів.

Наприклад, для байт-орієнтованих блоків даних ( $M=2^3 = 8$  біт) можна вибрати код Галуа 1100 з двохбітовим ключем (див. табл.4), або код Галуа 1110100 з трьохбітовим ключем.

Тоді отримаємо наступні послідовності симетричного СК, згідно табл.4, для ансамблю потенціальних сигналів.

**Таблиця 4. Симетричний квазісимвольний рекурентний код (КССК)**

	Код Галуа	start	x								stop
			0	0	0	0	1	1	1	1	
A	1110100	vvv	+	S	+	-	Λ	S	Λ	v	ΛΛΛ
			1	0	0	1	1	1	0	1	ΛΛΛ
B	1110100	vvv	Λ	+	S	Λ	Λ	v	+	Λ	ΛΛΛ
			1	1	1	1	1	1	1	1	ΛΛΛ
C	1110100	vvv	Λ	Λ	Λ	v	Λ	v	v	Λ	ΛΛΛ
			1	1	1	1	1	1	1	1	ΛΛΛ

## 2. СТРУКТУРА СПЕЦПРОЦЕСОРІВ ФОРМУВАННЯ СИГНАЛЬНИХ КОРЕКТУЮЧИ КОДІВ

В загальному випадку функціональна структура спецпроцесора формування потоку даних та організація сигнальних коректуючих кодів описується конвеєрним функціоналом:

$$S_x = F(OI, SP, OB),$$

де OI – оптичний інтерфейс, який реалізує гальванічну розв'язку комп'ютера або комунікаційного процесора цифрової станції, формує три біт-орієнтовані потоки інформації у вигляді сигналів: синхронізації (SX); "start"; дані стандартного фрейму комп'ютерної мережі "D"; СП – спецпроцесор; OB – оптичний випромінювач.

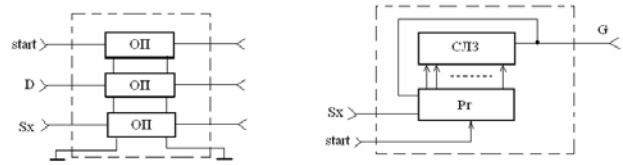
Функціональні структури модуля OI та генератора Галуа показано на рис.3.

Базові структури спецпроцесорів формування сигнальних коректуючих кодів описується наступними функціоналами з конвеєрним виконанням операцій:

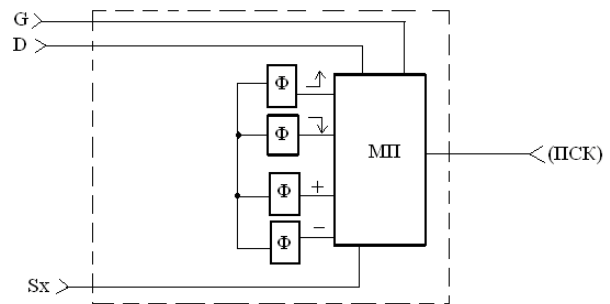
Функціонал, який характеризує формування ПСК (позиційного сигнального коду), описується

виразом:  $S_x = F(OI, G, M, MP)$ ,

де G – генератор коду поля Галуа, який формує послідовність 2n-бітів для маніпуляції бітів даних та формування ПСК; M – модулятор, який реалізує формування маніпульованих сигналів, ознак ПСК, МП – мультиплексор (див. рис.4).



**Рис. 3 – Функціональна структура модуля оптичного інтерфейсу: ОП-оптрон; функціональна структура модуля генератора Галуа: СЛЗ-схема логічних зв'язків, Pr-регістр**

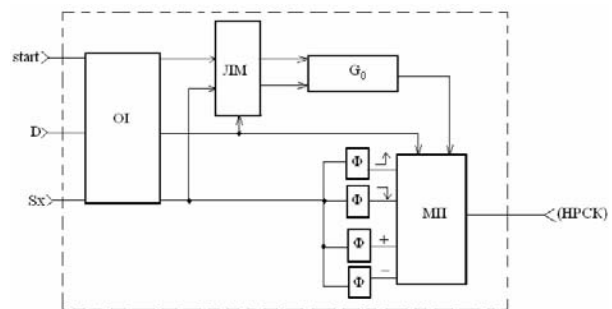


**Рис. 4 – Функціональна структура модулятора ПСК: Ф-формуваць відповідного маніпульованого сигналу**

Функціонал, згідно якого формується НРСК має вигляд:  $S_x = F(OI, LM, G_0, MP)$ ,

де LM – логічний модуль;  $G_0$  – генератор Галуа сигнальної маніпуляції нульових бітів даних.

Функціональна структура спецпроцесора формування НРСК показана на рис.5.



**Рис. 5 – Функціональна структура спецпроцесора формування НРСК: LM-логічний модуль**

В даному спецпроцесорі логічний модуль виконує функції синхронізації стартового запуску генератора Галуа, згідно бітів нулів в потоці даних "D". При цьому одиничні біти потоку даних без додаткового опрацювання через мультиплексор поступають на вихід

спецпроцесора, а біти нулів додатково маніпулюються бітами генератора Галуа.

Функціонал, згідно якого реалізується формування конвеєрним способом РССК має вигляд:  $S_X = F(OI, G_0, G_1, ЛМ, МП)$ , де  $G_0, G_1$  – відповідно генератори Галуа маніпульованих даних “0” та “1”.

Функціональна структура спецпроцесора показана на рис.6.

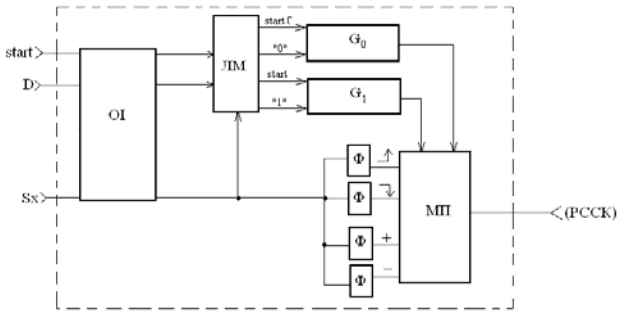


Рис. 6 – Функціональна структура спецпроцесора формування РССК

Особливістю структури даного спецпроцесора є симетричне формування Галуа ознак бітів даних. Причому стартування генератора Галуа  $G_0$  та  $G_1$  відбувається згідно появи першого біта нуля або одиниці в потоці даних.

Функціонал, згідно якого реалізується формування КССК має вигляд:

$$S_X = F(OI, G_0, G_1, ЛМ, S, ЦА, МП),$$

де  $S$  – формувач квазісимвольної ознаки бітової синхронізації ССК; ЦА – цифровий автомат, що аналізує два поточних біти нульових даних і формує квазісимвольні сигнали “S”.

На рис.7. представлено функціональну схему генератора Галуа КССК.

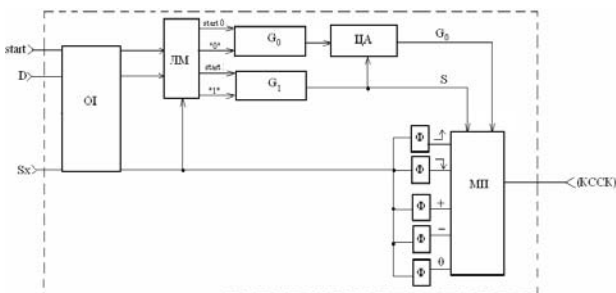


Рис. 7 – Функціональна структура спецпроцесора формування КССК

Оптичні випромінювачі бісигнального оптичного інформаційного каналу передавання даних показано на рис.8.

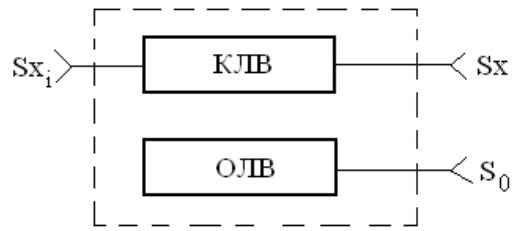


Рис. 8 – Функціональна структура модуля оптичних випромінювачів: КЛВ – керований лазерний випромінювач, ОЛВ – опорний лазерний випромінювач

### 3. МОДЕЛЮВАННЯ РОБОТИ ЦИФРОВИХ ПРИЙМАЧІВ ЗАПРОПОНОВАНИХ СИГНАЛЬНИХ КОРРЕКТУЮЧИХ КОДІВ

На рис.9 показана блок-схема програмного модуля циклу перевірки наявності n-бітової послідовності стартових сигналів.

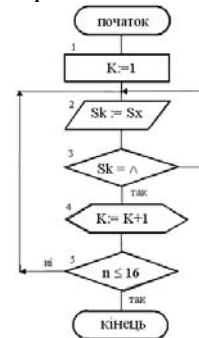


Рис. 9 – Алгоритм роботи програмного модуля стартових сигналів “start”

Даний алгоритм включає в себе наступні блоки:

1. Початкові параметри циклу перевірки n-бітової послідовності start сигналів;
2. Ввід сигналу  $S_x$  для аналізу;
3. Перевірка наявності в потоці даних сигналу, який не відповідає стартовим сигналам;
4. Організація циклу.

Аналогічно реалізується програмний модуль перевірки наявності сигналів блокової синхронізації “stop”, який може бути присутній в окремих випадках або може бути опущений в інформаційних каналах з низьким рівнем завад, що дозволяє зменшити надлишковість об’єму даних.

Алгоритм оброблення сигналів, які формуються інформаційним потоком у вигляді ПСК, описується роботою наступних програмних модулів, згідно блок-схеми (рис.10):

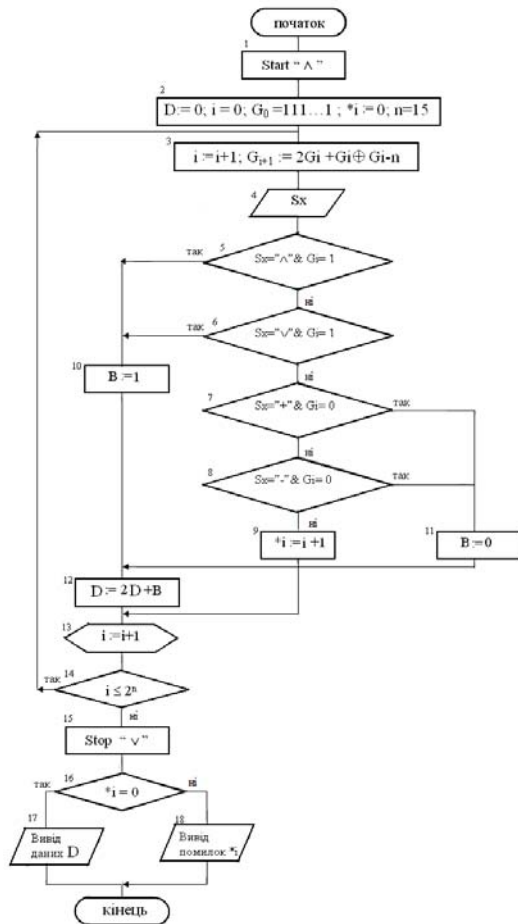


Рис. 10 – Алгоритм роботи програмних модулів ПСК.

1. Перевірка послідовності сигналів “start”, яка представлена на рис. 8.
2. В даному програмному модулі вводяться стартові характеристики даних D; регістра стартової позиції генератора Галуа  $G_0$  та лічильника помилок  $*_i = 0$ .
3. Описує алгоритм генерування коду поля Галуа, який використовується для перевірки правильності інформаційного потоку даних, що представляється сигналами Sx.
4. Ввід поточного сигналу Sx.
- 5-6, 10. Перевірка правильності приймання та формування бітів даних одиниці.
- 7-8, 11. Перевірка правильності приймання бітів даних нулів.
9. Реєстрація числа помилок  $*_i$ .
12. Реєстрація та формування пакету даних.
- 13-14. Цикл перевірки об'єму даних.
15. Перевірка послідовності сигналів “stop”.
16. Перевірка на наявність помилки
- 17-18. Вивід даних та вивід помилок.

Алгоритм оброблення сигналів, які формуються інформаційним потоком у вигляді НРСК представлено на рис. 11.

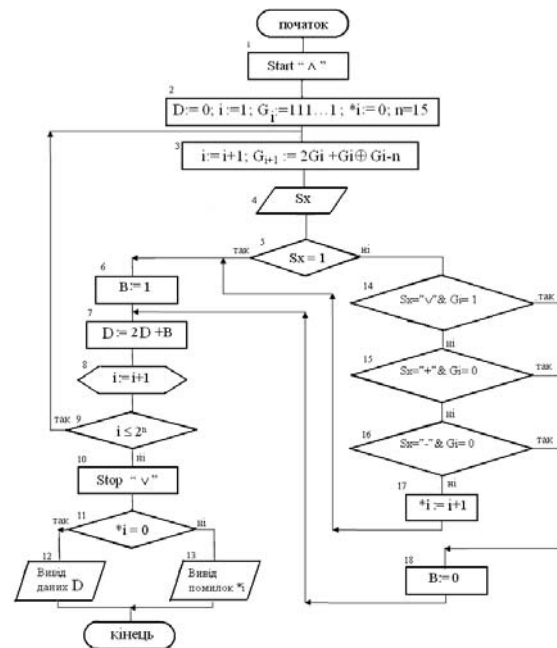


Рис.11 – Алгоритм роботи програмних модулів НРСК

Робота наступних програмних модулів описується наступним чином:

- 1-4. Аналогічні алгоритму на рис.10.
- 5-6. Перевірка наявності сигналу фронту наростання  $Sx = “^”$ , і формування біту даних одиниці.
- 7-13. Аналогічні алгоритму на рис.10.
- 14-16. Перевірка приймання правильних сигналів, які кодують нуль потоку даних.
17. Реєстр помилок.
18. Формування біту даних нуль.

Алгоритм оброблення сигналів, які формуються інформаційним потоком у вигляді РССК, описується наступними програмними модулями, згідно блок-схеми (рис.12):

1. Перевірка послідовності сигналів “start”.
2. В даному програмному модулі вводяться стартові характеристики даних D; регістра стартової позиції генератора Галуа  $G_0$  та лічильника помилок  $*_i = 0$ .
3. Ввід сигналу Sx.
4. Перевірка правильності приймання та формування бітів даних одиниці по фронтах спаду або наростання.
5. Генерування коду поля Галуа, який використовується для перевірки правильності інформаційного потоку даних, що представляється сигналами Sx.
- 6-8. Формування біта одиниці.
9. Підрахунок відповідного числа одиниць  $N_1$ .
10. Перевірка правильності приймання та формування бітів даних нуля по верхніх та нижніх потенціалах.
11. Генерування коду поля Галуа, який використовується для перевірки правильності

інформаційного потоку даних, що представляється сигналами  $Sx$ .

- 12-14. Формування біта нуля.
- 15. Підрахунок відповідного числа нулів  $N_0$ .
- 16. Формування та реєстрація потоку даних.
- 17-18. Цикл перевірки об'єму даних.
- 19. Перевірка послідовності сигналів "stop".
- 20. Перевірка комплектності прийнятого пакету даних.
- 21. Перевірка на наявність помилки в сигналах "stop".
- 22-23. Вивід даних та вивід помилок.

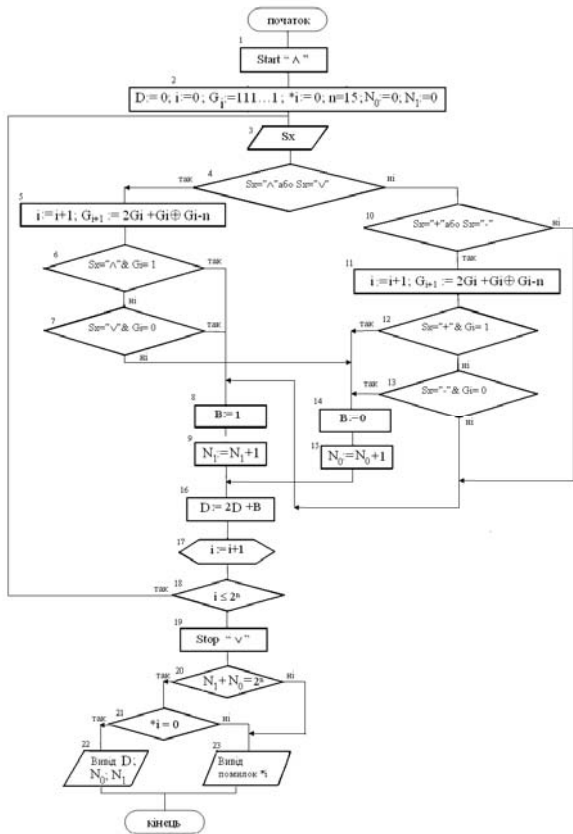


Рис.12 – Алгоритм роботи програмних модулів РССК

Алгоритм роботи програмних модулів методу КССК (рис.13) такий, як і в РССК, з відмінністю в тім, що відбувається додаткова перевірка на наявність повторення символів.

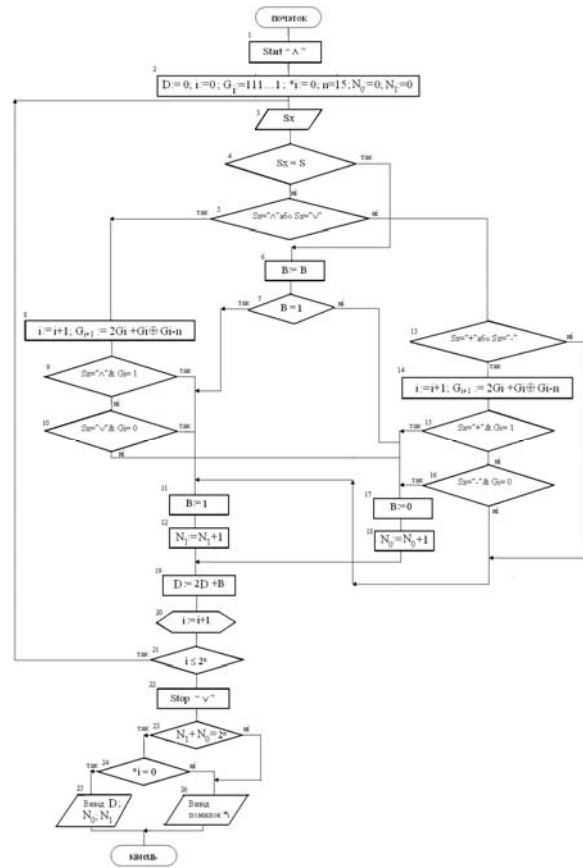


Рис.13 – Алгоритм роботи програмних модулів КССК

У блоці 4 відбувається перевірка наявності вхідного сигналу "S" ( синхро), при цьому в операторі 5 присвоюється значення попереднього біту даних. Сигнал "S" кодує повтор попереднього біту даних незалежно від біту Галуа.

Оператори 6,7,12,18 – виконують формування відповідних прийнятих бітів даних та підрахунок відповідного числа одиниць  $N_1$  та числа нулів  $N_0$ .

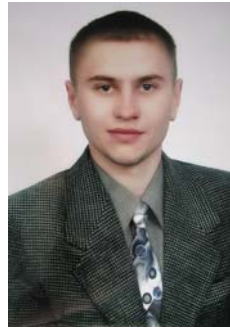
#### 4. ВИСНОВКИ

На основі аналізу методів маніпуляції сигнальних просторів та теоретико-числових базисів запропоновані нові методи безнадлишкового сигнального кодування біт-орієнтованих інформаційних потоків з використанням кодів поля Галуа, які забезпечують можливість, без введення надлишкової інформації потоків даних, що передаються в оптичному каналі, виявити та коректувати однократні помилки.

Виконана формалізація функціональних структур модулів процесорів формування безнадлишкових кодів, а також розроблені структури спецпроцесорів та їх компонентів, які виконують формування сигнальних коректуючих кодів Галуа та реалізовано їх алгоритмічне моделювання.

## 5. СПИСОК ЛІТЕРАТУРИ

- [1] Grynchyshyn T, Methods of digital processing of optical signals based on the randomization procedure, *Proceedings of International Conference CADSM'2005*, Lviv-Polyana, (2005), pp. 140-142.
- [2] Nykolaychuk Y. M., Methodology of forming, transmission and processing of discrete data, *Proceedings of VI All-Union School-Seminar POI'67*, Lviv, FMI, 1967, pp. 127-129. (in Russian)
- [3] Kasami T., *Theory of Encoding*, Moscow, Mir, 1978, 500 p. (in Russian)
- [4] Grynchyshyn T, Software simulation of digital treatment of signals in computer networks with the opened optical channel, *Proceedings of International Conference TCSET'2006*, Lviv-Slavske, (2006), pp. 412-413.
- [5] Nykolaychuk Y. M., Yatskiv N. G., Methods of compression of data are in the multichannel systems on the basis of codes of Galois, *Announcer of National University "Lviv Politechnical"*, *Radio electronics and telecommunications*, Lviv, (443) (2002), pp 135-138. (in Ukrainian)
- [6] John G. Proakis and Dimitris G. Manolakis, *Introduction to Digital Signal Processing*, MacMillan, 1998.
- [7] Clark J., *Encoding with the Correction of Errors in Digital Communication Networks*, Harkiv, Radio and Connection, 1987, 468 p. (in Russian)
- [8] Grynchyshyn T. M., Code of data in the computer distributed systems with an open optical communication channel on the basis of recurrent GK-codes, *Announcer of the Technological university of Podillya, Khmelnytskyi*, (1) 2 (2007), pp.74-77. (in Ukrainian)



**Тарас Гринчишин**, закінчив Івано-Франківський Національний університет нафти і газу за спеціальністю "системи управління та автоматики" у 2002 році. К.т.н за спеціальністю "комп'ютерні системи та компоненти" 2010 р. Доцент кафедри інформаційних технологій та програмування "Відкритого міжнародного університету розвитку людини "Україна", Івано-Франківська філія, м.Івано-Франківськ, Україна.  
Наукові інтереси: методи кодування даних, спеціалізовані комп'ютерні системи.



**Ярослав Николайчук**, д.т.н, професор, закінчив Івано-Франківський Національний університет нафти і газу. Спеціаліст (1967) – електрифікація та автоматизація видобутку, транспортування та зберігання нафти і газу, Львівський політехнічний інститут, к.т.н. (1980) – елементи та пристрої обчислювальної техніки та систем керування, д.т.н. (1989) – елементи та пристрої обчислювальної техніки та систем керування, директор Карпатського державного центру інформаційних засобів і технологій Національної академії наук України (1994), дійсний член Української академії національного прогресу (1995), завідувач кафедри спеціалізованих комп'ютерних систем (1999) Тернопільського Національного університету, професор кафедри інформаційних технологій та програмування "Відкритого міжнародного університету розвитку людини "Україна", Івано-Франківська філія, м.Івано-Франківськ.  
Наукові інтереси: спеціалізовані комп'ютерні системи, системи передавання даних, низові обчислювальні мережі.





## SIMULATIONS OF PROCESSORS FOR FORMING AND DIGITAL SIGNAL PROCESSING IN COMPUTER SYSTEMS WITH OPEN OPTICAL CHANNELS

**Taras Grynchyshyn, Yaroslav Nykolaychuk**

An open international university of development of human is "Ukraine", Ivano-Frankivsk branch,  
Nabereghna str. 42a, Ivano-Frankivsk, 76000 Ukraine  
e-mail: gtarasm@rambler.ru

**Abstract:** *In this article new methodology of unsurplus signals code of bit-oriented informative streams is offered with the use of codes of the field of Galois, that considerably optimizes and improves the known methods of the digital working of data with an exposure and correction of errors, and effectively realized on the basis of the offered structures of the special processors of digital treatment of signals.*

**Keywords:** *unsurplus code, special processor, correcting code, programmatic module, algorithm.*

### 1. INTRODUCTION

In the modern informative systems for transferrableness of data of the widest application got the methods of impulsive, and on occasion potential manipulation [1].

The impulsive methods of manipulation of signals mostly use on the basilar levels of computer networks, in digital telephony, and also computer systems with optical channels. As these methods use the limited part of energy on the interval of duration of signal, and also need the wide stripe of frequencies communication channel, efficiency them high not enough [2].

Surplus of existent protocols sharply grows at the small volumes of data, that is passed, that characteristically only for the basilar levels of computer networks. Therefore their application in the computer systems is effective not enough and needs perfection both theoretical and in practical plans [4].

### 2. METHODS OF UNSURPLUS SIGNALS CODE ARE ON BASIS OF CODES OF GALOIS

The concept of unsurplus signals code is based on principle of creation of codes with possibility of exposure and corrections of errors, that does not result in the increase of number of signals at transferrableness of bit-oriented flows of data [5-7].

Essence of methods of unsurplus signals code with possibility of exposure and correction of errors

consists in that for forming of such class of codes to five signals signs are used.

Four possible methods of forming of such class of codes are offered [2,3]: position signals code (PSC); asymmetrical recurrent signals code (ARSC); recurrent symmetric signals code (RSSC); multi symbols signals code (MSSC) [8].

**Table 1. Correcting properties of PSC**

$N_2$	код данных	start	$G_1$	$G_1$	$G_0$	$G_0$	stop	Кодове представления данных
0	0000							--- ++ -- +++
1	0001					↓		--- ++ -v +++
2	0010					↓		--- ++ v- +++
3	0011					↓		--- ++ vv +++
4	0100			↑				--- +^ -- +++
5	0101			↑		↓		--- +^ -v +++
6	0110			↑	↓			--- +^ v- +++
7	0111			↑	↓	↓		--- +^ vv +++
8	1000		↑					--- ^+ -- +++
9	1001		↑			↓		--- ^+ -v +++
10	1010		↑		↓			--- ^+ v- +++
11	1011		↑		↓	↓		--- ^+ vv +++
12	1100		↑	↑				--- ^^ -- +++
13	1101		↑	↑		↓		--- ^^ -v +++
14	1110		↑	↑	↓			--- ^^ v- +++
15	1111		↑	↑	↓	↓		--- ^^ vv +++

Functional limitation is absence of possibility of determination of number of zeros and units in the block of data.

Principle of forming of ARSC consists in that the sequence of zeros that is passed in the package of data is numbered by the recurrent code of Galois  $G_2^k$ .

Functional limitation of such code is absence of possibility of determination of incurrence of zeros in the block of data.

**Table 2. Realization of method alarm a code of data, is with the use of code sequence of Galois  $G_2^3$  of ARSC methods**

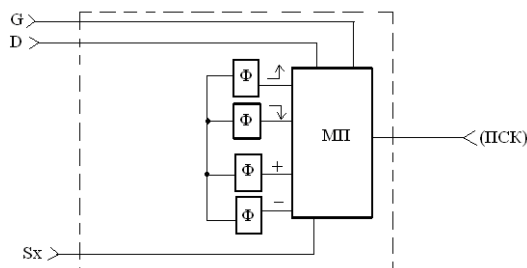
D	0	0	0	1	0	1	1	0	1	1	1	0	1	0	0	1	1	
SK	10	10	10	01	10	01	01	10	01	01	01	10	01	10	10	01	01	
SK1	[Timing diagram showing signal transitions]																	
G0	1	1	1	0				1				0				0	0	
SK01	[Timing diagram showing signal transitions]																	
SK02	[Timing diagram showing signal transitions]																	
GK01	[Timing diagram showing signal transitions]																	
GK02	[Timing diagram showing signal transitions]																	

### 3. STRUCTURE OF THE SPECIAL PROCESSORS OF FORMING OF SIGNALS, CORRECTING CODES

A functional that characterizes forming of signals code (PSC) is described by expression:

$$S_X = F(OI, G, M, MP),$$

G – generator of code of the field of Galois that forms the sequence of 2n-bits for manipulation of databits and forming of PSC; M – is a keyer, that will realize forming of manipulated signals, signs of PSC; MP – is a multiplexer (see fig.4).

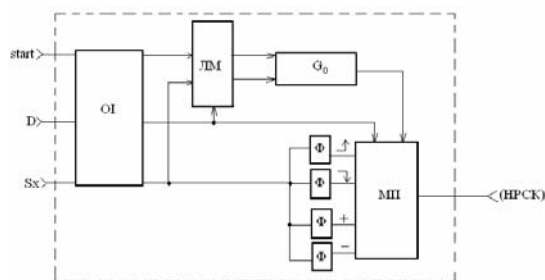


**Fig. 4 – Functional structure of keyer PSC: Φ – reshaper of corresponding manipulation of signal**

Functional in obedience to that ARSC is formed looks like:  $S_X = F(OI, LM, G_0, MP)$ ,

LM – logical module;  $G_0$  – generator of Galois of manipulation signals of offbits of data.

The functional structure of the special processor of forming of ARSC is on fig.5.

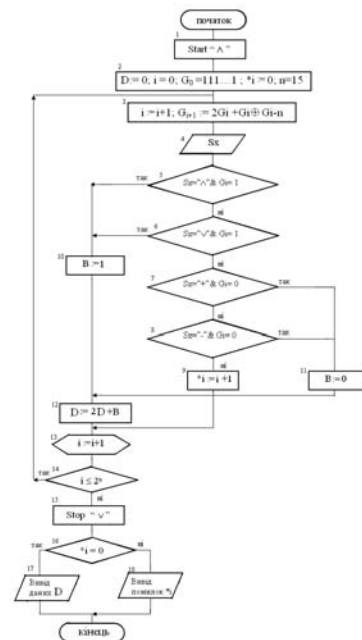


**Fig. 5 – Functional structure of the special processor forming of ARSC**

In this special processor the logical module executes the functions of synchronization of starting start of generator of Galois, in obedience to the bits of zeros in the flow of data of "D". Thus the single bits of flow of data without the additional working through a multiplexer act on the exit of the special processor, and bits of zeros additionally by the manipulations bits of generator of Galois.

### 4. DESIGN OF WORK OF DIGITAL TRANSCEIVERS OF THE OFFERED SIGNALS CORRECTING CODES

An algorithm is treatments of signals, that is formed by an informative stream as PSC, described by work of the next programmatic modules, in obedience to a flow-chart (fig.10).



**Fig. 10 – Algorithm of work of the programmatic modules of PSC**

1. Verification of sequence of signals of "start".
2. Starting descriptions of data of D are entered in this programmatic module; register of starting position of generator of Galois  $G_0$  and meter of errors \*and = 0.
3. Describes the algorithm of generating of code of the field of Galois, that is used for verification of rightness of informative flow of data, that appears the signals of  $S_x$ .
4. Input of current signal of  $S_x$ .
- 5-6, 10. Verification of rightness of acceptance and forming of bits given of unit.
- 7-8, 11. Verification of rightness of acceptance of bits of these zeros.
9. Registration of number of errors \*and .
12. Registration and packet of data assembly.

- 13-14. Cycle of verification of volume of data.  
 15. Verification of sequence of signals of "stop".  
 16. Verification is in the presence of error  
 17-18. Conclusion of data and conclusion of errors.

An algorithm is treatments of signals, that is formed by an informative stream as ARSC it is presented on fig.11.

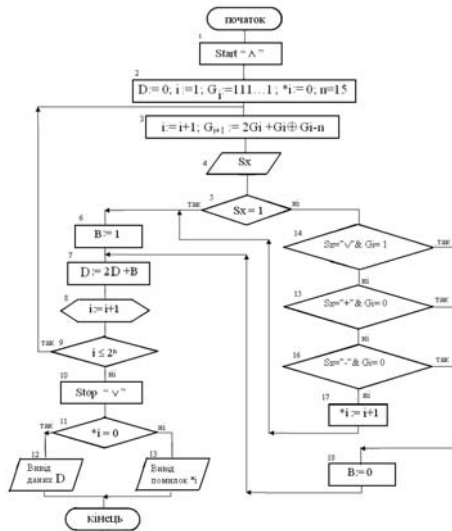


Fig.11 – Algorithm of work of the programmatic modules of ARSC

Work of the next programmatic modules is described as follows:

- 1-4. Analogical to the algorithm on fig.10.  
 5-6. Verification of presence of signal of front of growth of  $Sx = ^\wedge$ , and forming to the databit of unit.  
 7-13. Analogical to the algorithm on fig.10.  
 14-16. Verification is acceptances of correct signals, that encodes the zero of flow of data.  
 17. Register of errors.  
 18. Forming to the databit is a zero.

## 5. CONCLUSIONS

On the basis of analysis of methods of manipulation of signals spaces and theorist – numerical bases the new methods of unsurplus code of bit-oriented informative streams are offered with the use of codes the fields of Galois, that provide possibility, without introduction of redundant information of streams given, that is passed in an optical channel, to educe and correct single errors.

Executed formalization of functional structures of the modules of processors of forming of unsurplus codes, and also worked out structures of the special processors and their components that execute forming of signals of correcting codes of Galois and they are realized algorithmic design.

## 6. REFERENCES

- [1] Grynychyshyn T, Methods of digital processing of optical signals based on the randomization procedure, *Proceedings of International Conference CADSM'2005*, Lviv-Polyana, (2005), pp. 140-142.
- [2] Nykolaychuk Y. M., Methodology of forming, transmission and processing of discrete data, *Proceedings of VI All-Union School-Seminar POI'67*, Lviv, FMI, 1967, pp. 127-129. (in Russian)
- [3] Kasami T., *Theory of Encoding*, Moscow, Mir, 1978, 500 p. (in Russian)
- [4] Grynychyshyn T, Software simulation of digital treatment of signals in computer networks with the opened optical channel, *Proceedings of International Conference TCSET'2006*, Lviv-Slavske, (2006), pp. 412-413.
- [5] Nykolaychuk Y. M., Yatskiv N. G., Methods of compression of data are in the multichannel systems on the basis of codes of Galois, *Announcer of National University "Lviv Politechnical"*, *Radio electronics and telecommunications*, Lviv, (443) (2002), pp 135-138. (in Ukrainian)
- [6] John G. Proakis and Dimitris G. Manolakis, *Introduction to Digital Signal Processing*, MacMillian, 1998.
- [7] Clark J., *Encoding with the Correction of Errors in Digital Communication Networks*, Harkiv, Radio and Connection, 1987, 468 p. (in Russian)
- [8] Grynychyshyn T. M., Code of data in the computer distributed systems with an open optical communication channel on the basis of recurrent GK-codes, *Announcer of the Technological university of Podillya*, Khmelnytskyi, (1) 2 (2007), pp.74-77. (in Ukrainian)



## ЧАСТОТНИЙ СИМВОЛЬНИЙ МЕТОД ОЦІНКИ АСИМПТОТИЧНОЇ СТІЙКОСТІ ЛІНІЙНИХ ПАРАМЕТРИЧНИХ КІЛ

Юрій Шаповалов, Богдан Мандзій, Дарія Смаль

Інститут телекомунікацій, радіоелектроніки та електронної техніки  
 Національний університет "Львівська політехніка"  
 вул. С.Бандери, 12, Львів, 79013  
 shapov@polynet.lviv.ua, bmandziy@mail.ru, dariya.smal@gmail.com

**Резюме:** У статті розглянуто метод оцінки асимптотичної стійкості лінійних параметричних кіл частотним символьним методом. Метод полягає у заміні у критерії стійкості необхідного формування бічастотної передавальної функції кола на формування нормальної параметричної передавальної функції його інерційної частини. Це приводить до суттєвого спрощення методу оцінки стійкості.

**Ключові слова:** лінійні параметричні кола, оцінка асимптотичної стійкості, символьний аналіз.

## FREQUENCY SYMBOLIC METHOD OF ASSESSMENT OF ASYMPTOTIC STABILITY OF LINEAR TIME-VARIABLE CIRCUITS

Yuriy Shapovalov, Bohdan Mandziy, Dariya Smal

Institute of Telecommunications, Radioelectronics and Electronic Engineering  
 Lviv Polytechnic National University  
 12, Stepana Bandery Street, Lviv, 79013, Ukraine  
 shapov@polynet.lviv.ua, bmandziy@mail.ru, dariya.smal@gmail.com

**Abstract:** The method of assessment of asymptotic stability of linear time-variable circuits by frequency symbolic approach is considered in this paper. The method consists of the replacing in criteria of stability the necessity of formation of bifrequency transfer function of circuit on the formation of a normal parametric transfer function in its inertial part. This leads to significant simplification of the method of assessment of a stability.

**Keywords:** linear time-variable circuits, assessment of asymptotic stability, symbolic analysis.

### ВСТУП

У [1] розглянуто частотний символьний метод (ЧС-метод) аналізу лінійних параметричних кіл з періодично змінними параметрами, який оснований на диференціальному рівнянні, що пов'язує вхідний  $x$  та вихідний  $y$  сигнали:

$$\begin{aligned} a_n(t)y^{(n)} + \dots + a_1(t)y^{(1)} + a_0(t)y = \\ = b_m(t)x^{(m)} + \dots + b_1(t)x^{(1)} + b_0(t)x \end{aligned} \quad (1)$$

де  $a_i(t)$ ,  $b_j(t)$  –відомі дійсні функції часу, що визначені за заданим колом. Рівняння (1) визначає диференціальне рівняння, що описує

параметричне коло відносно спряженої передавальної функції  $W(s,t)$  у частотній області [3]:

$$\frac{1}{n!} \frac{d^n A(s,t)}{ds^n} \frac{d^n W(s,t)}{dt^n} + \dots + \frac{dA(s,t)}{ds} \frac{dW(s,t)}{dt} + A(s,t)W(s,t) = B(s,t) \quad (2)$$

де  $s = j\omega$  – комплексна змінна,

$$A(s,t) = a_n(t)s^n + \dots + a_1(t)s + a_0(t),$$

$$B(s,t) = b_m(t)s^m + \dots + b_1(t)s + b_0(t). \quad \text{У виразі}$$

(3) апроксимація  $\hat{W}(s,t)$  параметричної

передавальної функції  $W(s, t)$  у вигляді тригонометричного комплексного полінома визначається згідно ЧС-методу:

$$\hat{W}(s, t) = W_0(s) + \sum_{i=1}^k \left[ W_{-i}(s) \exp(-ji\Omega t) + W_{+i}(s) \exp(+ji\Omega t) \right], \quad (3)$$

яка містить  $k$  гармонічних складових і зв'язує вхідний  $X(s)$  та вихідний  $Y(s, t)$  сигнали заданого кола у частотній області:

$$Y(s, t) = \hat{W}(s, t) \cdot X(s), \quad (4)$$

де  $\Omega$  - основна частота зміни параметра параметричного елемента (вважається, що у колі один параметричний елемент). ЧС-метод є символічний, оскільки змінні  $s$ ,  $t$  та деякі параметри кола можуть бути задані символами.

Як витікає з [2], частотний символічний метод аналізу лінійних параметричних кіл може бути достатньо просто застосований для оцінки асимптотичної стійкості таких кіл. При цьому зручно користуватись критерієм стійкості, який за наступних позначень

а)  $w(t, \xi)$  - відгук у часі  $t$  лінійного параметричного кола при дії на його вході дельта-імпульсу, поданого у момент часу  $\xi$  (імпульсна передавальна функція кола);

б)  $W(s, r)$  - бічастотна параметрична передавальна функція [3] кола з двома комплексними змінними  $s = \sigma + j\omega$  та  $r = \mu + j\rho$ , що визначена подвійним перетворенням Лапласа функції  $w(t, \xi)$ ,

формулюється наступним чином[3]: лінійне параметричне коло є стійке асимптотично ( $0 < \xi < \infty$ ), якщо інтеграл

$$\int_0^{\infty} \int_0^{\infty} |w(t, \xi)| dt d\xi \quad (5)$$

абсолютно збігається. Це вимагає визначення всіх порушень аналітичності бічастотної передавальної функції  $W(s, r)$  на площині  $\rho\sigma$  та побудови на цій основі так званої характеристики збіжності  $\rho = \chi(\sigma)$  та області  $D_1$  [3,4]. Якщо область  $D_1$  містить всередині себе точки  $\sigma < 0$ , то коло з такою характеристикою  $\rho = \chi(\sigma)$  є асимптотично стійким.

## 1. ЗАМІНА У КРИТЕРІЇ СТІЙКОСТІ БІЧАСТОТНОЇ ПЕРЕДАВАЛЬНОЇ ФУНКЦІЇ НОРМАЛЬНОЮ ПАРАМЕТРИЧНОЮ ПЕРЕДАВАЛЬНОЮ ФУНКЦІЄЮ

У [2] згадано, що у критерії стійкості визначення характеристики збіжності  $\rho = \chi(\sigma)$  функції  $W(s, r)$  може бути замінене визначенням коренів так званої нормальної параметричної передавальної функції кола  $W(s, \xi)$ . Вважаємо цей факт достатньо важливим і корисним, оскільки визначення функції  $W(s, \xi)$  та її коренів є суттєво простішими, ніж пошук бічастотної функції  $W(s, r)$  кола та формування для неї характеристики збіжності  $\rho = \chi(\sigma)$ . Факт такої заміни для побудови методу оцінки стійкості є принципово суттєвим, тому, на нашу думку, вимагає доведення, яке й подаємо далі.

За аналогією з (3) функція  $W(s, \xi)$  частотним символічним методом визначається у вигляді апроксимації тригонометричним поліномом:

$$\hat{W}(s, \xi) = W_0(s) + \sum_{i=1}^k \left[ W_{ci}(s) \cos(i\Omega\xi) + W_{si}(s) \sin(i\Omega\xi) \right], \quad (6)$$

де  $W_0(s), W_{ci}(s), W_{si}(s)$  - дробово-раціональні функції комплексної змінної  $s$  з однокровим знаменником  $\Delta(s)$  згідно ЧС-методу. Апроксимація (6) може бути використана для визначення функції  $W(s, r)$  до якої може бути застосований критерій. Для цього використаємо подану у [3] залежність:

$$W(s, r) = \int_0^{\infty} W(s, \xi) e^{-r\xi} d\xi. \quad (7)$$

Такий підхід до визначення стабільності відповідно до критерію є обґрунтованим, оскільки він оснований на тому, що апроксимація (6) функції  $W(s, \xi)$  дає досить простий розрахунок (7), не маючи знаменників залежних від  $\xi$  на відміну від інших відомих методів визначення  $W(s, r)$ . Так, у випадку апроксимації функції  $W(s, \xi)$  виразом (6) визначення інтеграла (7) зводиться до наступного виразу :

$$W(s, r) = W_0(s) \int_0^\infty e^{-r\xi} d\xi + \sum_{i=1}^k [W_{ci}(s) \int_0^\infty \cos(\Omega\xi) e^{-r\xi} d\xi + W_{si}(s) \int_0^\infty \sin(\Omega\xi) e^{-r\xi} d\xi] \quad (8)$$

Враховуючи, що інтеграли з виразу (8):

$$\int_0^\infty e^{-r\xi} d\xi = \frac{1}{r}, \int_0^\infty \cos(i\Omega\xi) e^{-r\xi} d\xi = \frac{r}{r^2 + (i\Omega)^2}, \int_0^\infty \sin(i\Omega\xi) e^{-r\xi} d\xi = \frac{i\Omega}{r^2 + (i\Omega)^2},$$

отримуємо вираз для бічастотної передавальної функції кола у вигляді:

$$W(s, r) = W_0(s) \frac{1}{r} + \sum_{i=1}^k [W_{ci}(s) \frac{r}{r^2 + (i\Omega)^2} + W_{si}(s) \frac{i\Omega}{r^2 + (i\Omega)^2}] \quad (9)$$

У виразі (9), згідно критерію асимптотичної стійкості, необхідно визначити всі порушення аналітичності, які визначаються коренями знаменника цього виразу. З цього ж виразу (9) витікає, що його знаменник, який позначимо через  $\Delta(s, r)$  можемо записати у вигляді:

$$\Delta(s, r) = \Delta(s) \cdot r \cdot \prod_{i=1}^k (r^2 + (i\Omega)^2) \quad (10)$$

Вигляд виразу (10) переконає, що множина коренів виразу  $\Delta(s, r)$  складається з множини коренів полінома  $\Delta(s)$  функції  $W(s, \xi)$  та коренів:

$$r_0 = 0, r_{1,2} = \pm j\Omega, r_{3,4} = \pm j2\Omega, \dots, r_{2k-1,2k} = \pm jk\Omega. \quad (11)$$

Оскільки дійсні частини всіх коренів у (11) є нульові, то на площині  $\rho\sigma$  вони будуть представлені накладеними одна на одну прямими лініями, що зливаються з віссю  $\sigma$ . Дійсні частини коренів поліному  $\Delta(s)$  з (6) у площині  $\rho\sigma$  будуть представлені прямими лініями, паралельними осі  $\rho$  які перетинають вісь  $\sigma$  через значення дійсної частини кореня. Характеристика збіжності  $\rho = \chi(\sigma)$  у цьому

випадку буде мати вигляд прямого кута, одна сторона якого лежить на осі  $\sigma$  інша – на вертикальній лінії, що відповідає кореню  $\Delta(s)$  з найбільшою дійсною частиною, та вершина розташована у точці, де ця лінія перетинає вісь  $\sigma$ . Побудований таким чином прямий кут максимально включає верхній правий квадрант площини  $\rho\sigma$  чим і утворює область  $D_1$ . Очевидно, що у такому випадку область  $D_1$  не включає точки з  $\rho < 0$  та: а) включає точки з  $\sigma < 0$ , якщо найбільша дійсна частина серед дійсних частин усіх коренів  $\Delta(s)$  від’ємна, або б) не включає точки з  $\sigma < 0$ , якщо найбільша дійсна частина серед дійсних частин усіх коренів  $\Delta(s)$  рівна нулю чи додатна. Очевидно, що у випадку (а) коло стійке, у випадку (б) – нестійке. Виходячи з способу побудови області  $D_1$  і попередніх міркувань можна зробити висновок: апроксимація  $\hat{W}(s, t)$  у вигляді (6) зводить проблему оцінки асимптотичної стійкості кола з аналізу характеристики збіжності  $\rho = \chi(\sigma)$  функції  $W(s, r)$  до звичайного знаходження найбільшої дійсної частини серед дійсних частин усіх коренів знаменника  $\Delta(s)$  нормальної функції передачі кола  $W(s, \xi)$  [5].

Наведений висновок отриманий для випадку апроксимації нормальної передавальної функції  $W(s, \xi)$  тригонометричним поліномом (6). З іншого боку як показано у [6], що з точки зору ефективності частотного символічного методу апроксимація функції  $W(s, \xi)$  тригонометричним експоненціальним поліномом

$$\hat{W}(s, \xi) = W_{\pm 0}(s) + \sum_{i=1}^k [W_{-i}(s) \cdot \exp(-ji\Omega\xi) + W_{+i}(s) \cdot \exp(+ji\Omega\xi)] \quad (12)$$

у порівнянні з тригонометричним рядом (6) є набагато привабливіша і дозволяє розв’язувати задачі суттєво вищих порядків складності. У виразі (12)  $W_{\pm 0}(s), W_{-i}(s), W_{+i}(s)$  незалежні від часу  $t$  дробово-раціональні функції комплексної змінної  $s$  що згідно частотного символічного методу мають однаковий знаменник, який далі позначатимемо через  $\Delta(s)$ . Такий факт, дійсно, має місце, хоча, здавалось би, що форма полінома не має суттєво впливати на хід і особливості обчислювального процесу. Таким чином, якщо обчислення  $W(s, \xi)$  доцільніше проводити за апроксимацією (12) то й виникає необхідність перевірити можливості цієї

апроксимації у задачах оцінки асимптотичної стійкості лінійних параметричних кіл при їх аналізі частотним символьним методом.

Перевіримо це на підставі наведених міркувань. Також можемо спостерігати, що зв'язок дробово-раціональних функцій (6) та (12) має вигляд :

$$W_0(s) = 2W_{\pm 0}(s), W_{ci}(s) = W_{-i}(s) + W_{+i}(s), W_{si}(s) \Rightarrow \text{вигляді тригонометричного (6) чи тригонометричного комплексного (12) полінома зводить проблему оцінки асимптотичної стійкості кола від аналізу характеристики збіжності } \rho = \chi(\sigma) \text{ функції } W(s, r) \text{ до звичайного знаходження найбільшої дійсної частини серед усіх дійсних всіх коренів знаменника } \Delta(s) \text{ нормальної функції передачі кола } W(s, \xi). \text{ На додаток до цього для оцінки асимптотичної стійкості лінійного параметричного кола, згідно критерію 2 буде достатньо: а) знайти нормальну передавальну функцію } \hat{W}(s, \xi) \text{ цього кола ЧС-методом у вигляді тригонометричного полінома (6) чи (12); б) знайти корені знаменника } \Delta(s) \text{ функції } \hat{W}(s, \xi); \text{ в) визначити серед коренів поліному } \Delta(s) \text{ наявність коренів з нульовою або додатною дійсними частинами. Якщо такі корені існують, то коло нестійке, якщо ні – то коло стійке асимптотично.}$$

$$= j[W_{-i}(s) - W_{+i}(s)]$$

то, очевидно, що при однакових  $k$  їх відповідні знаменники  $\Delta_t(s)$  та  $\Delta_e(s)$  рівні. Позначимо їх через  $\Delta(s)$ .

Функція  $W(s, r)$  може бути знайдена з виразу (7) при апроксимації функції  $W(s, \xi)$  рядом (12).

$$W(s, r) = W_{\pm 0}(s) \int_0^{\infty} e^{-r\xi} d\xi + \sum_{i=1}^k [W_{-i}(s) \int_0^{\infty} e^{-j\Omega\xi} e^{-r\xi} d\xi + W_{+i}(s) \int_0^{\infty} e^{+j\Omega\xi} e^{-r\xi} d\xi] \quad (13)$$

Враховуючи, що:

$$\int_0^{\infty} e^{-r\xi} d\xi = \frac{1}{r}, \int_0^{\infty} e^{-j\Omega\xi} e^{-r\xi} d\xi = \frac{1}{r + j\Omega}, \int_0^{\infty} e^{+j\Omega\xi} e^{-r\xi} d\xi = \frac{1}{r - j\Omega}$$

отримуємо вираз для бічастотної передавальної функції кола у вигляді:

$$W(s, r) = W_{\pm 0}(s) \frac{1}{r} + \sum_{i=1}^k [W_{-i}(s) \frac{1}{r + j\Omega} + W_{+i}(s) \frac{1}{r - j\Omega}] \quad (14)$$

У виразі (14), згідно критерію асимптотичної стійкості [4], необхідно визначити всі порушення аналітичності, які визначаються коренями його знаменника. З цього ж виразу (14) витікає, що його знаменник, можемо записати у вигляді:

$$\Delta(s, r) = \Delta(s) \cdot r \cdot \prod_{i=1}^k [(r - j\Omega) \cdot (r + j\Omega)] \quad (15)$$

що рівне виразу для  $\Delta(s, r)$  у (8). Рівність виразів (10) та (15) показує рівність їхніх коренів. Рівність коренів оцінюється для знаменників

$\Delta(s, r)$  бічастотних передавальних функцій  $W(s, r)$  які визначені при апроксимації (6) та (12) означає, що всі висновки, зроблені в першому випадку також підходить для другого. Нарешті, ми можемо зробити дуже важливий висновок, який підходить для обох апроксимацій функції  $W(s, \xi)$ : апроксимація функції  $\hat{W}(s, \xi)$

## 2. ЗАМІНА У КРИТЕРІЇ СТІЙКОСТІ НОРМАЛЬНОЇ ПЕРЕДАВАЛЬНОЇ ФУНКЦІЇ КОЛА НОРМАЛЬНОЮ ПЕРЕДАВАЛЬНОЮ ФУНКЦІЄЮ ЙОГО ІНЕРЦІЙНОЇ ЧАСТИНИ

Нормальна параметрична передавальна функція лінійного параметричного кола  $W(s, \xi)$  зазвичай визначається з диференціального рівняння (1), що описує коло, за наступною залежністю [3]:

$$W(s, \xi) = \sum_{i=0}^m (-1)^i \frac{1}{i!} \frac{d^i B(s, \xi)}{ds^i} \cdot \frac{d^i G(s, \xi)}{d\xi^i}, \quad (16)$$

у якій  $G(s, \xi)$  – нормальна параметрична передавальна функція інерційної [3] частини кола;  $B(s, \xi)$  є поліном

$$B(s, \xi) = B_0(\xi) + B_1(\xi)s + B_2(\xi)s^2 + \dots + B_m(\xi)s^m \quad (17)$$

з коефіцієнтами  $B_0(\xi) = B_0(\xi, q)$ ,

$B_i(\xi) = B_i(\xi, q)$ , що визначені за формулами

$$B_0(\xi, q) = B_0(\xi) = \sum_{k=0}^m (-1)^k \frac{d^k b_k(\xi)}{d\xi^k}, \quad (18)$$

$$B_i(\xi, q) = (-1)^i \frac{1}{i!} \frac{d^i [B_0(\xi, q)]}{dq^i}, q = \frac{d}{d\xi}. \quad (19)$$

При чому присутня у (16) функція  $G(s, \xi)$  визначається з рівняння [3]:

$$\sum_{k=0}^n (-1)^k \frac{1}{k!} \frac{d^k A(s, \xi)}{ds^k} \cdot \frac{d^k G(s, \xi)}{d\xi^k} = 1, \quad (20)$$

у якому  $A(s, \xi)$  своєю чергою, є поліном

$$A(s, \xi) = A_0(\xi) + A_1(\xi)s + A_2(\xi)s^2 + \dots + A_m(\xi)s^m \quad (21)$$

з коефіцієнтами  $A_0(\xi) = A_0(\xi, q)$ ,  $A_i(\xi) = A_i(\xi, q)$ , що визначаються за формулами

$$A_0(\xi, q) = A_0(\xi) = \sum_{k=0}^n (-1)^k \frac{d^k a_k(\xi)}{d\xi^k}, \quad (22)$$

$$A_i(\xi, q) = (-1)^i \frac{1}{i!} \frac{d^i [A_0(\xi, q)]}{dq^i}, q = \frac{d}{d\xi}. \quad (23)$$

З формул (20) – (23) витікає, що функція  $G(s, \xi)$  визначається коефіцієнтами лівої частини рівняння (1), що описує лінійне параметричне коло, а з формул (16) – (19) витікає, що функція  $W(s, \xi)$  перераховується з функції  $G(s, \xi)$  за допомогою коефіцієнтів правої частини рівняння (1). Як функція  $G(s, \xi)$ , так і функція  $W(s, \xi)$ , за частотним символьним методом їх визначення є дробово-раціональними функціями комплексної змінної  $s$ .

Проілюструємо використання формул (16) – (19) на прикладі деякого параметричного кола, яке за аналогією з (1) описане диференціальним рівнянням, нехай, третього порядку:

$$a_3(t)y''' + a_2(t)y'' + a_1(t)y' + a_0(t)y = b_2(t)x'' + b_1(t)x' + b_0(t)x. \quad (24)$$

Замінюючи у рівнянні (24)  $t$  на  $\xi$  та застосовуючи до нього вирази (18), (19) отримуємо:

$$B_0(\xi, q) = B_0(\xi) = \sum_{k=0}^2 (-1)^k \frac{d^k b_k(\xi)}{d\xi^k} = b_0(\xi) - \frac{db_1(\xi)}{d\xi} + \frac{d^2 b_2(\xi)}{d\xi^2} = b_0(\xi) - b_1(\xi)q + b_2(\xi)q^2$$

де

$$B_1(\xi, q) = (-1)^1 \frac{1}{1!} \frac{dB_0(\xi, q)}{dq} = b_1(\xi) - 2b_2(\xi)q,$$

$$B_2(\xi, q) = (-1)^2 \frac{1}{2!} \frac{d^2 B_0(\xi, q)}{dq^2} = b_2(\xi).$$

З виразів (17), (25) маємо:

$$B(s, \xi) = [b_0(\xi) - \frac{db_1(\xi)}{d\xi} + \frac{d^2 b_2(\xi)}{d\xi^2}] + [b_1(\xi) - 2\frac{b_2(\xi)}{d\xi}]s + b_2(\xi)s^2 \quad (26)$$

З виразів (16) та (26) остаточно отримаємо:

$$W(s, \xi) = B(s, \xi) \cdot G(s, \xi) - \frac{d[B(s, \xi)]}{ds} \cdot \frac{dG(s, \xi)}{d\xi} + \frac{1}{2} \frac{d^2 [B(s, \xi)]}{ds^2} \cdot \frac{d^2 G(s, \xi)}{d\xi^2} = [[b_0(\xi) - \frac{db_1(\xi)}{d\xi} + \frac{d^2 b_2(\xi)}{d\xi^2}] + [b_1(\xi) - 2\frac{b_2(\xi)}{d\xi}]s + b_2(\xi)s^2] \cdot G(s, \xi) - [[b_1(\xi) - 2\frac{b_2(\xi)}{d\xi}] + 2b_2(\xi)s] \cdot \frac{dG(s, \xi)}{d\xi} + b_2(\xi) \cdot \frac{d^2 G(s, \xi)}{d\xi^2}.$$

Звернувши увагу на вираз (27) з точки зору полюсів дробово-раціональних функцій  $W(s, \xi)$  та  $G(s, \xi)$  робимо наступні зауваження:

- як відомо, полюси дробово-раціональної функції визначаються тільки коренями її знаменника;
- у рівнянні (27) знаменники присутні тільки у виразах  $W(s, \xi)$ ,  $G(s, \xi)$  та  $\frac{d^i G(s, \xi)}{d\xi^i}$  і відсутні у інших членах цього рівняння;
- диференціювання дробово-раціональної функції  $G(s, \xi)$  у членах  $\frac{d^i G(s, \xi)}{d\xi^i}$



відбувається тільки по змінній  $\xi$ , тому за апроксимацією  $\ddot{\xi}$ , наприклад, тригонометричним поліномом

$$G(s, \xi) = G_0(s) + \sum_{i=1}^k \left[ G_{ci}(s) \cos(i\Omega\xi) + G_{si}(s) \sin(i\Omega\xi) \right], \quad (28)$$

де  $\Omega = \frac{2\pi}{T}$ ,  $T$  - період зміни параметричного

елемента кола, похідні  $\frac{d^i G(s, \xi)}{d\xi^i}$  мають вигляд

$$\frac{d^i G(s, \xi)}{d\xi^i} = \sum_{j=1}^k \left[ G_{cj}(s) [\cos(i\Omega\xi)]^{(i)} + G_{sj}(s) [\sin(i\Omega\xi)]^{(i)} \right] \quad (29)$$

і тому мають такий же знаменник, що і функція  $G(s, \xi)$  (можна показати, що дане твердження справедливе і для загального вигляду диференціального рівняння (1), а також за апроксимацією функції  $G(s, \xi)$  і тригонометричним комплексним поліномом);

- таким чином знаменник у функціях  $G(s, \xi)$ ,

$$\frac{d^i G(s, \xi)}{d\xi^i} \text{ та } W(s, \xi) \text{ у виразах (27) та (16)}$$

однаковий.

Згідно наведених зауважень можемо зробити наступні три важливі висновки.

- Оскільки знаменники функцій  $G(s, \xi)$  та  $W(s, \xi)$  у виразі (16) однакові, то й корені цих знаменників однакові.
- Оцінку стійкості параметричного кола правомірно проводити за коренями знаменника функції  $G(s, \xi)$ , без обчислення функції  $W(s, \xi)$ .
- Оскільки функція  $G(s, \xi)$  визначається коефіцієнтами тільки лівої частини рівняння (1), то й на оцінку стійкості кола впливають коефіцієнти тільки лівої частини рівняння (1) (інерційної частини параметричного кола), і не впливають коефіцієнти правої частини рівняння (1) (форсованої частини параметричного кола) [3].

### 3. ПРИКЛАД

Провести оцінку стійкості одноконтурного параметричного підсилювача з параметричною індуктивністю, який показано на рис. 1.

Нормальна параметрична передавальна

функція  $W(s, \xi)$  від струму сигналу  $i_1(t)$  у напругу  $u_1(t)$  для кола з рис.1, визначена частотним символьним методом [2] у вигляді тригонометричного

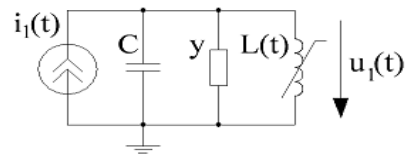


Рис. 1 – Одноконтурний параметричний підсилювач

$$i_1(t) = I_m \cos(\omega t + \phi); I_m = 0.0001A; \omega = 2 \cdot \pi \cdot 10^8 \text{ рад/с}; \\ L(t) = L_0 \cdot (1 + m \cos(\Omega t)); L_0 = 0.2533 \cdot 10^{-6} \text{ Гн}; \Omega = 2 \cdot \omega; \\ \phi = \pi/4; y = 0.0004 \text{ См}; C = 10 \cdot 10^{-12} \text{ Ф};$$

полінома, наприклад при  $k=1$ , має вигляд:

$$\hat{W}(s, \xi) = \frac{w_{-1}(s)}{\Delta(s)} \cdot \exp(-j\Omega\xi) + \frac{w_0(s)}{\Delta(s)} + \frac{w_{+1}(s)}{\Delta(s)} \cdot \exp(j\Omega\xi), \quad (30)$$

де

$$w_{-1}(s) = w_{-1}(s, m) = 0.40 \cdot 10^{-60} s^4 \cdot m + (0.32 \cdot 10^{-52} - 0.50 \cdot 10^{-51} i) \cdot m \cdot s^3 + (0.79 \cdot 10^{-42} - 0.40 \cdot 10^{-43} i) \cdot m \cdot s^2 + (0.63 \cdot 10^{-35} - 0.60 \cdot 10^{-33} i) \cdot m \cdot s;$$

$$w_0(s) = w_0(s, m) = -0.11 \cdot 10^{-23} - 0.80 \cdot 10^{-60} s^4 - 0.64 \cdot 10^{-52} s^3 + (-0.32 \cdot 10^{-41} + 0.16 \cdot 10^{-50} i) \cdot s^2 + (-0.13 \cdot 10^{-33} + 0.32 \cdot 10^{-43} i) \cdot s;$$

$$w_{+1}(s) = w_{+1}(s, m) = 0.40 \cdot 10^{-60} s^4 \cdot m + ((0.16 \cdot 10^{-52} + 0.50 \cdot 10^{-51} j) \cdot m + 0.16 \cdot 10^{-52} m) \cdot s^3 + ((-0.47 \cdot 10^{-42} + 0.20 \cdot 10^{-43} j) \cdot m + (0.51 \cdot 10^{-18} + 0.32 \cdot 10^{-16} j) \cdot$$

$$\cdot (0.13 \cdot 10^{-26} m - 0.40 \cdot 10^{-25} j \cdot m) \cdot s^2 + (-0.15 \cdot 10^{-7} + 0.64 \cdot 10^{-9} j)(0.13 \cdot 10^{-26} m - 0.40 \cdot 10^{-25} j \cdot m) \cdot s;$$

$$\Delta(s) = \Delta(s, m) = (-0.16 \cdot 10^{-52} + 0.81 \cdot 10^{-53} m^2) \cdot s^6 + (-0.20 \cdot 10^{-44} + 0.98 \cdot 10^{-45} m^2) \cdot s^5 + (-0.71 \cdot 10^{-34} + 0.29 \cdot 10^{-34} m^2) \cdot s^4 + (-0.56 \cdot 10^{-26} + 0.23 \cdot 10^{-26} \cdot$$

$$\cdot m^2) \cdot s^3 + (-0.48 \cdot 10^{-16} + 0.15 \cdot 10^{-16} m^2) \cdot s^2 +$$

$$+ (-0.19 \cdot 10^{-8} + 0.61 \cdot 10^{-9} m^2) \cdot s - 9.$$

$m$  - глибина модуляції індуктивності  $L(t)$ .

Вираз (30) є розв'язком наступного диференціального рівняння [1]:

$$\begin{aligned}
 & [1 + (-CL'(\xi) + L(\xi)Y)s + CL(\xi)s^2] \cdot W(s, \xi) + \\
 & + (CL'(\xi) - L(\xi)Y - 2CL(\xi)s) \cdot W'(s, \xi) + \quad (31) \\
 & + CL(\xi) \cdot W''(s, \xi) = 1,
 \end{aligned}$$

яке, своєю чергою [3], витікає з диференціального рівняння, що описує коло рис. 1:

$$\begin{aligned}
 & CL(t) \cdot u_1''(t) + [CL'(t) + yL(t)] \cdot u_1'(t) + \\
 & + (1 + yL'(t)) \cdot u_1(t) = L'(t)i_1(t) + L(t)i_1'(t). \quad (32)
 \end{aligned}$$

На рис. 2 наведено траєкторії коренів у площині  $\sigma j\omega$ , які отримані при зміні  $m$  від 0,05 до 0,14 і при шести гармоніках у апроксимації  $\hat{W}(s, \xi)$ . Початок кожної траєкторії позначений символом "x" та у кінці траєкторії розташований номер кореня, який її утворює.

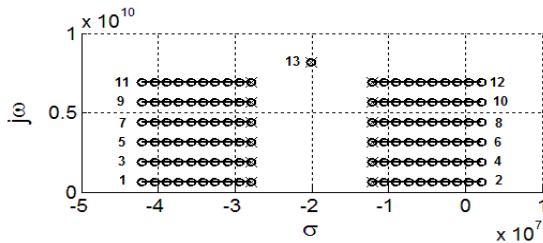


Рис. 2 – Траєкторії коренів знаменника  $\Delta(s, m)$  функції  $\hat{W}(s, \xi)$  кола з рис. 1 при зміні  $m$  від 0.05 до 0.14 і для шести гармонік у апроксимації

Кожному кореню з рис. 2 відповідає комплексно спряжений корінь. Траєкторії цих спряжених коренів є симетричні відносно осі  $\sigma$  і на рис. 2 не наведені.

Фрагмент траєкторії кореня 2 для значень  $m$  від 0,124 до 0,130 з кроком 0,002 представлений на рис. 3 у збільшеному масштабі і, як видно з рисунку, перетинає вісь  $j\omega$  коли  $m = 0.127 \pm 0.0005$ . Це означає, що при  $m < 0.127$  коло з рис.1 асимптотично стійке, а при  $m \geq 0.127$  – нестійке. Цей результат повністю збігається з результатом, наведеним на рис. 4, який отримано для кола з рис.1 числовим методом за програмою аналізу електричних кіл Micro-Cap 7.

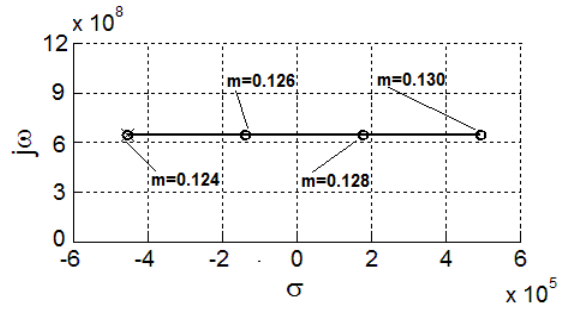


Рис. 3 – Траєкторія кореня 2 при зміні  $m$  від 0.124 до 0.130 з кроком 0.002. Початок траєкторії позначено символом "x"

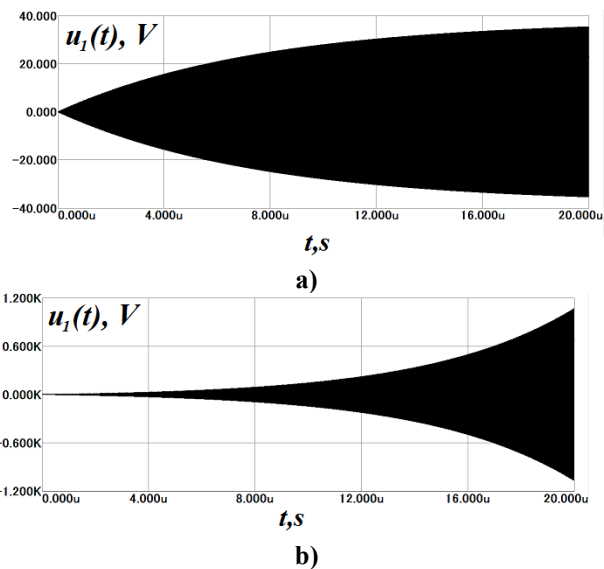


Рис. 4 – Часові залежності напруги  $u_1(t)$  для кола з рис. 1, отримані за програмою Micro-Cap: а) –  $m = 0.126$ , коло стійке; б) –  $m = 0.128$ , коло нестійке

## ВИСНОВКИ

Як витікає з наведеного вище, запропонований у статті метод оцінки асимптотичної стійкості лінійних параметричних кіл, на відміну від описаних у літературі [3], полягає у перенесенні цієї оцінки з аналізу коренів знаменника бічастотної функції  $W(s, r)$  обраного критерію, оминаючи обчислення функції  $W(s, \xi)$ , у аналіз коренів знаменника функції  $G(s, \xi)$  заданого параметричного кола. Оскільки функція  $G(s, \xi)$  визначається тільки лівою частиною рівняння (1), то на відміну від описаного, наприклад, у [3], можемо говорити про аналогію з колами з постійними параметрами, для яких відомо, що стійкість кола визначається тільки лівою частиною диференціального рівняння (іншими словами, характеристичним поліномом), що описує коло з постійними параметрами.

Зауважимо, що перенесення визначення оцінки асимптотичної стійкості лінійного параметричного кола з аналізу коренів знаменника бічастотної функції  $W(s, r)$  у аналіз коренів знаменника функції  $G(s, \xi)$  за обчислювальним сенсом суттєво спрощує та прискорює розв'язування задачі оцінки стійкості кола, оскільки робить непотрібним формування функцій  $W(s, r)$  та  $W(s, \xi)$ , а передбачає визначення тільки знаменника функції  $G(s, \xi)$ .

У [1] наведені результати оцінки стійкості одноконтурного та двоконтурного параметричних підсилювачів за описаним методом. Результати оцінки повністю збігаються з результатами, отриманими за широковідомою програмою аналізу кіл Micro-Cap 7.

## СПИСОК ЛІТЕРАТУРИ

- [1] Shapovalov Yu., Mandziy B., Mankovsky S., The peculiarities of analysis of linear parametric circuit performed by frequency-symbolic method, *Przegląd Elektrotechniczny (Electrical Review)*, (86) 1 (2010), pp. 158-160.
- [2] Shapovalov Yu., Mandziy B., Mankovsky S., Peculiarities of frequency-symbolic method applied to parametric circuit analysis, *Przegląd Elektrotechniczny (Electrical Review)*, (86) 5 (2010), pp. 155-159.
- [3] Solodov A. V., Petrov F. S., *Linear Automatic Systems with Variable Parameters*, Moscow, Nauka, 1971, 620 p. (in Russian)
- [4] Brikker I. N., About frequency analysis of linear systems with variable parameters, *Automatics and telemechanics*, (8) (1966), pp. 43-54. (in Russian)
- [5] Shapovalov Yu. I., The peculiarities of assessment of asymptotic stability of linear parametric circuits performed by frequency symbolic method, *Simulation and information technology. Collection of scientific papers IPME NAS of Ukraine*, Kyiv, (55) (2010), pp. 126-133. (in Ukrainian)
- [6] Shapovalov Yu. I., Mankowsky S. V., Application of topological methods to frequency symbolic analysis of linear parametric circuits, *Bulletin of Lviv Polytechnic National*

*University "Radio electronics and telecommunications"*, (618) (2008), pp. 76-81. (in Ukrainian)



**Шаповалов Юрій Іванович**, доцент, кандидат технічних наук, доцент кафедри "Радіоелектронних пристроїв і систем" Національного університету "Львівська політехніка". Автор понад 30 наукових праць.

Наукові інтереси – частотний символічний метод аналізу лінійних параметричних кіл.



**Мандзій Богдан Андрійович**, професор, доктор технічних наук, професор кафедри "Теоретична радіотехніка і радіовимірювання" Національного університету "Львівська політехніка". Стаж педагогічної діяльності у вищій школі близько 40 років.

Автор понад 250 наукових та науково-педагогічних праць, в тому числі 2 монографій та 6 навчальних посібників з грифом Міністерства освіти України.

Наукові інтереси – методи автоматизованого аналізу нелінійних електронних кіл і забезпечення надійності радіоелектронних пристроїв і засобів телекомунікацій.



**Смаль Дарія Романівна**, аспірант кафедри "Радіоелектронних пристроїв і систем" Національного університету "Львівська політехніка".

Наукові інтереси – дослідження стійкості лінійних параметричних кіл частотним символічним методом та частотні символічні моделі.



## FREQUENCY SYMBOLIC METHOD OF ASSESSMENT OF ASYMPTOTIC STABILITY OF LINEAR TIME-VARIABLE CIRCUITS

Yuriy Shapovalov, Bohdan Mandziy, Dariya Smal

Institute of Telecommunications, Radioelectronics and Electronic Engineering  
 Lviv Polytechnic National University  
 12, Stepana Bandery Street, Lviv, 79013, Ukraine  
 shapov@polynet.lviv.ua, bmandziy@mail.ru, dariya.smal@gmail.com

**Abstract:** *The method of assessment of asymptotic stability of linear time-variable circuits by frequency symbolic approach is considered in this paper. The method consists of the replacing in criteria of stability the necessity of formation of bifrequency transfer function of circuit on the formation of a normal parametric transfer function in its inertial part. This leads to significant simplification of the method of assessment of a stability.*

**Keywords:** *linear time-variable circuits, assessment of asymptotic stability, symbolic analysis.*

### 1. INTRODUCTION

Frequency symbolic method of analysis of linear parametric circuits with periodically variable parameters which allows for a known input signal  $X(s)$  using the parametric transfer function  $W(s, t)$  to determine the output signal  $Y(s, t)$  in frequency domain is considered in [1]:

$$y(s, t) = \hat{W}(s, t) \cdot x(s), \quad (1)$$

where  $s, t$  – complex variable and time variable, respectively. The approximation  $\hat{W}(s, t)$  of parametric transfer function  $W(s, t)$  is determined in the form of trigonometric polynomial which contains  $k$  harmonic components. Frequency symbolic method is symbolic as variables  $s, t$  and some parameters of the circuit can be in the form of symbols.

As follows from [2], frequency symbolic method of analysis of LPTV circuits can be simply applied to evaluate the asymptotic stability of such circuits. It is convenient to use the criterion of stability, which is given in [3].

### 2. CHANGING BIFREQUENCY TRANSFER FUNCTION BY NORMAL TRANSFER FUNCTION IN THE CRITERIA OF STABILITY

In [2] mentioned that in criteria of stability [3] determining of coincidence characteristics

$\rho = \chi(\sigma)$  of function  $W(s, r)$  may be replaced by determining the roots of normal parametric transfer function of circuit  $W(s, \xi)$ . We consider this fact quite important and useful because determining the function  $W(s, \xi)$  and its roots are much easier than searching bifrequency function  $W(s, r)$  and forming coincidence characteristics  $\rho = \chi(\sigma)$  for it.

By analogy with parametric transfer function  $W(s, t)$  [1], function  $W(s, \xi)$  by frequency symbolic method is defined as an approximation by trigonometric polynomial:

$$\hat{W}(s, \xi) = W_0(s) + \sum_{i=1}^k \left[ \begin{array}{l} W_{ci}(s) \cos(i\Omega\xi) + \\ + W_{si}(s) \sin(i\Omega\xi) \end{array} \right], \quad (2)$$

or by complex trigonometric polynomial:

$$\hat{W}(s, \xi) = W_0(s) + \sum_{i=1}^k \left[ \begin{array}{l} W_{-i}(s) \exp(-ji\Omega\xi) + \\ + W_{+i}(s) \exp(+ji\Omega\xi) \end{array} \right], \quad (3)$$

where  $W_0(s), W_{ci}(s), W_{si}(s)$  and  $W_0(s), W_{+i}(s), W_{-i}(s)$  – fractionally rational functions of  $s$  with the same denominator  $\Delta(s)$  according to frequency symbolic method. The approximation (2) or (3) can be used to determine the function  $W(s, r)$  to which the criterion can be applied [2].

As follows the approximation of the function  $\hat{W}(s, \xi)$  in the form of trigonometric (2) or complex trigonometric (3) polynomial changes the task of assessment of asymptotic stability of the circuit from the analysis of convergence characteristic  $\rho = \chi(\sigma)$  of function  $W(s, r)$  to the ordinary finding of the most real part among real parts of all roots of denominator  $\Delta(s)$  of the normal transfer function of the circuit  $W(s, \xi)$  [4]. In addition to this for the assessment of asymptotic stability of linear time-variable circuit according to criterion it will be enough: a) to find normal transfer function  $\hat{W}(s, \xi)$  of this circuit by frequency symbolic method in the form of trigonometric polynomial (2) or (3); b) to find the roots of denominator  $\Delta(s)$  of the function  $\hat{W}(s, \xi)$ ; c) to determine the roots with null or positive real parts among roots of polynomial  $\Delta(s)$ . If such roots exist the circuit is unstable but if they do not exist the circuit is stable asymptotically.

### 3. CHANGING NORMAL TRANSFER FUNCTION OF CIRCUIT BY TRANSFER FUNCTION OF TS INERTIAL PART IN THE CRITERIA OF STABILITY

Normal parametric transfer function of linear time-variable circuit  $W(s, \xi)$  is usually determined by the differential equation, which describes a circle [1], using the following dependence [3]:

$$W(s, \xi) = \sum_{i=0}^m (-1)^i \frac{1}{i!} \frac{d^i B(s, \xi)}{ds^i} \cdot \frac{d^i G(s, \xi)}{d\xi^i}, \quad (4)$$

Where  $G(s, \xi)$  – the normal parametric transfer function of inertial part [3] of the circuit;  $B(s, \xi)$  is a polynomial  $B(s, \xi) = B_0(\xi) + B_1(\xi)s + \dots + B_m(\xi)s^m$ .

1) The denominators of the functions  $G(s, \xi)$  and  $W(s, \xi)$  in expression (4) are identical, and then the roots of the denominators are equal.

2) Assessment of stability of the linear time-variable circuit is legitimate to carry out by the roots of the denominator of function  $G(s, \xi)$ , without computing function  $W(s, \xi)$ .

3) Since the function  $G(s, \xi)$  is determined by coefficients only of the left part of equation, which connects input  $x(t)$  and output  $y(t)$  signals and there is affect to assessment of the stability of circuit by coefficients only of the left part of this equation (the inertial part of linear time-variable circuit) and no affect by the coefficients of the right side of this equation (forced part of the time-variable range) [3].

## 4. EXAMPLE

To carry out the assessment of stability of single-circuit parametric amplifier, with periodically time-variable inductivity, shown in fig.1.

## 5. CONCLUSIONS

1. Transfer definition of assessment of asymptotic stability of LPTV circuit from the analysis of roots of the denominator of bifrequency function  $W(s, r)$  in analysis of roots of the denominator of function  $G(s, \xi)$  for computing the meaning simplifies and speeds up the solving task of assessment of stability circuit, because it makes unnecessary the formation function  $W(s, r)$  and  $W(s, \xi)$ , but provides identifying only the denominator of function  $G(s, \xi)$ .

2. Function  $G(s, \xi)$  is determined only by the left part of equation, which connects input and output signals in contrast to the described, for example, [3] can talk about the analogy with the circles of constant parameters for which it is known that the stability of circuit is determined only by the left part of the differential equation (in other words, characteristic polynomial), which describes a circle with constant parameters.

In [1] presented results of the assessment of stability single-circuit and double-circuit parametric amplifiers, in which periodically time-variable is capacity, by the described method. They also coincide completely with the results obtained by well known programme MicroCap 7 which analyses electric circuits.

## 6. REFERENCES

- [1] Shapovalov Yu., Mandziy B., Mankovsky S., The peculiarities of analysis of linear parametric circuit performed by frequency-symbolic method, *Przegląd Elektrotechniczny (Electrical Review)*, (86) 1 (2010), pp. 158-160.
- [2] Shapovalov Yu., Mandziy B., Mankovsky S., Peculiarities of frequency-symbolic method applied to parametric circuit analysis, *Przegląd Elektrotechniczny (Electrical Review)*, (86) 5 (2010), pp. 155-159.
- [3] Solodov A. V., Petrov F. S., *Linear Automatic Systems with Variable Parameters*, Moscow, Nauka, 1971, 620 p. (in Russian)
- [4] Shapovalov Yu. I., The peculiarities of assessment of asymptotic stability of linear parametric circuits performed by frequency symbolic method, *Simulation and information technology. Collection of scientific papers IPME NAS of Ukraine*, Kyiv, (55) (2010), pp. 126-133. (in Ukrainian)

**Miki Sirola, Jaakko Talonen**

#### SELF-ORGANIZING MAP BASED VISUALIZATION TECHNIQUES AND THEIR ASSESSMENT

Our research group has been studying data-analysis based techniques in decision support and visualization. We had a long industrial research project in co-operation with a Finnish nuclear power plant Olkiluoto. We developed many decision support schemes based on Self-Organizing Map (SOM) method combined with other methodologies. Also several visualizations based on various data-analysis methods were developed. Data from the Olkiluoto plant and training simulator was used in the analysis. In this paper some of these visualizations are presented, analyzed, and assessed with a psychological framework. Measuring the information value of the visualizations is a real challenge. The developed visualizations and visualization techniques are also compared with some existing visualizations and techniques in current plants and research laboratories. The visualizations and the visualization techniques are developed further, and completely new visualizations and techniques are developed. We point out what additional value the new visualization techniques can produce. A detailed test case of using Self-Organizing Map (SOM) method with Olkiluoto plant data is presented. With this practical example the information value of this method is shown, and it is also pointed out how it can be assessed, and what are the most reliable criteria in this assessment.

**Miki Sirola, Jaakko Talonen**

#### МЕТОДИ ВІЗУАЛІЗАЦІЇ НА ОСНОВІ САМООРГАНІЗОВУВАНИХ КАРТ ТА ЇХ ОЦІНКА

Наша дослідницька група займається вивченням технологій аналізу даних для задач підтримки прийняття рішень і візуалізації. Ми маємо довготерміновий промисловий науково-дослідний проект спільно з фінською атомною електростанцією Олкілуото. Ми розробили багато схем підтримки прийняття рішень на основі методу самоорганізовуваних карт (SOM) у поєднанні з іншими технологіями. Крім того, розроблено кілька візуалізацій на основі різних методів аналізу даних. Для проведення аналізу використано дані з станції Олкілуото та навчальних тренажерів. У даній статті представлено деякі з цих візуалізацій, проаналізовано та оцінено з точки зору психологічної структури. Процес вимірювання даних для візуалізації є справжньою проблемою. Розроблені методи візуалізації також було порівняно з існуючими методами, що використовуються на заводах і в науково-дослідних лабораторіях. В даній статті розроблено абсолютно нові методи візуалізації. Зазначимо, що можна визначити додаткові значення для нових методів візуалізації. Представлено детальний тест використання самоорганізовуваних карт з даними станції Олкілуото. За допомогою цього практичного прикладу показано інформаційну цінність цього методу, визначено, яким чином він може бути оцінений, і які є найбільш надійні критерії цієї оцінки.

**Miki Sirola, Jaakko Talonen**

#### МЕТОДЫ ВИЗУАЛИЗАЦИИ НА ОСНОВЕ САМООРГАНИЗУЮЩИХСЯ КАРТ И ИХ ОЦЕНКА

Наша исследовательская группа занимается изучением технологий анализа данных для задач поддержки принятия решений и визуализации. Мы имеем долгосрочный промышленный научно-исследовательский проект совместно с финской атомной электростанцией Олкилуото. Мы разработали много схем поддержки принятия решений на основе метода самоорганизующихся карт (SOM) в сочетании с другими технологиями. Кроме того, разработано несколько визуализаций на основе различных методов анализа данных. Для проведения анализа использованы данные станции Олкилуото и учебных тренажеров. В данной статье некоторые из этих визуализаций представлены, проанализированы и оценены с точки зрения психологической структуры. Процесс измерения данных для визуализации является настоящей проблемой. Разработанные методы визуализации также были сравнены с существующими методами, используемыми на заводах и научно-исследовательских лабораториях. В данной статье были разработаны совершенно новые методы визуализации. Отметим, что можно определить дополнительные значения для новых методов визуализации. Представлен подробный тест метода использования самоорганизующихся карт с данными станции Олкилуото. С помощью этого практического примера показано информационную ценность этого метода, определено, каким образом он также может быть оценен, и какие наиболее надежные критерии оценки.

**Marina Polyakova**

**EXTRACTION OF LEFT VENTRICULAR CONTOURS FROM VENTRICULOGRAMS WITH LABELING OF IMAGE PIXELS BY ACTIVE CONTOURS**

The method of the extraction of left ventricular contours is developed for ventriculograms which obtained by radiological research of heart with the angiographic system. The proposed method includes the underlining of left ventricular contours through the repagular wavelet transform and labeling the pixels of image by active contours that reduced the error of detection of the edge and the area of left ventricle.

**Марина Полякова**

**ВИДІЛЕННЯ КОНТУРІВ ЛІВОГО ШЛУНОЧКА НА ВЕНТРИКУЛОГРАМІ З РОЗМІТКОЮ ТОЧОК ЗОБРАЖЕННЯ МЕТОДОМ АКТИВНИХ КОНТУРІВ**

Розроблено метод виділення контурів лівого шлуночка серця на вентрикулограмах, отриманих шляхом рентгеноконтрастного дослідження серця ангиографічною системою. Запропонований метод включає підкреслення контурів лівого шлуночка за допомогою репагулярного вейвлет-перетворення і розмітку точок зображення з використанням активних контурів. Це дає змогу знизити помилку виділення контура і області лівого шлуночка.

**Марина Полякова**

**ВЫДЕЛЕНИЕ КОНТУРОВ ЛЕВОГО ЖЕЛУДОЧКА НА ВЕНТРИКУЛОГРАММЕ С РАЗМЕТКОЙ ТОЧЕК ИЗОБРАЖЕНИЯ МЕТОДОМ АКТИВНЫХ КОНТУРОВ**

Разработан метод выделения контуров левого желудочка сердца на вентрикулограммах, полученных путем рентгеноконтрастного исследования сердца ангиографической системой. Предложенный метод включает подчеркивание контуров левого желудочка при помощи репагулярного вейвлет-преобразования и разметку точек изображения с использованием активных контуров. Это позволяет снизить ошибку выделения контура и области левого желудочка.

**Mohammed Amoon**

**FAULT TOLERANCE IN GRIDS USING JOB REPLICATION**

As grids consist of a large number of resources, fault tolerance forms an important aspect of the scheduling process. In this paper, we address the problem of scheduling user jobs in grids so that failures can be avoided in the presence of resources faults. We employ job replication as an effective mechanism to achieve efficient and fault-tolerant scheduling system. Most of the existing replication-based algorithms use a fixed number of replications for each job which consumes more grid resources. We first propose an algorithm to determine adaptively the number of job replicas according to the grid failure history. Then we propose an algorithm to schedule these replicas. The proposed algorithms have been evaluated through simulation and have shown better performance in terms of grid load, throughput and failure tendency.

**Mohammed Amoon**

**ВІДМОВСТІЙКІСТЬ В ГРІД З ВИКОРИСТАННЯМ РЕПЛІКАЦІЇ РОБІТ**

Оскільки Грід-системи складаються з великої кількості ресурсів, відмовостійкість є важливим аспектом процесу планування. У даній статті ми звертаємося до проблеми планування роботи користувачів у Грід коли можна уникнути збоїв при наявності помилок у ресурсах. Ми використовуємо реплікацію робіт, як ефективний механізм для досягнення ефективної та відмовостійкої системи планування. Більшість існуючих алгоритмів реплікації, на основі використання фіксованої кількості повторень для кожної роботи, споживають більше Грід-ресурсів. Спочатку ми пропонуємо алгоритм адаптивного визначення кількості реплікацій для кожної роботи з історії збоїв Грід. Тоді ми пропонуємо алгоритм планування цих реплікацій. Запропоновані алгоритми були оцінені за допомогою моделювання і показали більш високу продуктивність з точки зору навантаження Грід, пропускну здатності та тенденції помилок.

**Mohammed Amoon**

**ОТКАЗОУСТОЙЧИВОСТЬ В ГРИД С ИСПОЛЬЗОВАНИЕМ РЕПЛИКАЦИИ РАБОТ**

Поскольку Грід-системы состоят из большого количества ресурсов, отказоустойчивость является важным аспектом процесса планирования. В данной статье мы обращаемся к проблеме планирования работы пользователей в Грід, когда можно избежать сбоя при наличии ошибок в ресурсах. Мы используем репликацию работ, как эффективный механизм для достижения эффективной и

отказоустойчивой системы планирования. Большинство существующих алгоритмов репликации, на основе использования фиксированного количества повторений для каждой работы, которая потребляет больше Грид-ресурсов. Сначала мы предлагаем алгоритм адаптивного определения количества репликаций для каждой работы по истории сбоев Грид. Тогда мы предлагаем алгоритм планирования этих репликаций. Предложенные алгоритмы были оценены с помощью моделирования и показали более высокую производительность с точки зрения нагрузки Грид, пропускной способности и тенденции ошибок.

**Anatoliy Bilenko, Valeriy Sitnikov**

**RECONFIGURABLE CELL-ARRAY (RCA) BASED COMPUTER SYSTEM WITH CELL SPECIALIZATION**

Reconfigurable system based on cell specialization of reconfigurable cell-array computer system is presented. Analysis of specialized reconfigurable cell-array hardware and methods of specialized cell inclusion are given.

**Анатолій Біленко, Валерій Ситников**

**РЕКОНФІГУРОВАНА СИСТЕМА НА ОСНОВІ ОДНОРІДНОЇ ОБЧИСЛЮВАЛЬНОЇ СИСТЕМИ ІЗ СПЕЦІАЛІЗАЦІЄЮ КОМІРОК**

Розглядається структура реконфігурованої системи на основі однорідної обчислювальної системи із спеціалізацією. Проведено огляд модернізації апаратної частини однорідного обчислювального середовища, а також методи включення спеціалізованих блоків.

**Anatoliy Bilenko, Valeriy Sitnikov**

**РЕКОНФИГУРИРУЕМАЯ СИСТЕМА НА ОСНОВЕ ОДНОРОДНОЙ ВЫЧИСЛИТЕЛЬНОЙ СИСТЕМЫ СО СПЕЦИАЛИЗАЦИЕЙ ЯЧЕЕК**

Рассматривается структура реконфигурируемой системы на основе однородной вычислительной систем со специализацией. Проведен обзор модернизации аппаратной части однородной вычислительной среды, а также методы включения специализированных блоков.

**Srilatha Chepure, Guru Rao C.V., Prabhu G. Benakop**

**ON CHIP MEMORY REDUCTION TECHNIQUE FOR DATA DOMINATED EMBEDDED SYSTEMS**

This paper proposes an approach for optimization of on-chip memory size in data dominated embedded systems. Large amount of array processing is being involved in this category. In order to produce a cost effective system, efficient designing of memory module is quite critical. The memory module configuration being selected by the designer should be well suitable for the application. In this regard, this paper presents a methodology for effective optimization of on-chip memory. For sensitive applications involving large array processing, the entire processing has to be done using embedded modules. While using such modules, care should be taken to meet optimized profile for the design metrics. With help of loop transformation technique, relatively a good amount of memory size requirement is reduced for the arrays. This approach results in a very close memory estimate and an effective optimization. This methodology can be further extended to meet the high level memory optimization applications based on cache characteristics. Speech processing front end mechanism is implemented and shows that this approach gives up to an achievement 61.3% reduction of overall system memory requirement over the estimation approach. Results are provided in terms of comparison of the two approaches of memory estimation and optimization with respect to both of the program and data segments.

**Srilatha Chepure, Guru Rao C.V., Prabhu G. Benakop**

**ТЕХНОЛОГІЯ ЗМЕНШЕННЯ ПАМ'ЯТІ ЧІПА ДЛЯ ВБУДОВУВАНИХ СИСТЕМ З ДОМІНУВАННЯМ ДАНИХ**

У роботі запропоновано новий підхід до оптимізації розміру пам'яті чіпа для вбудованих систем з домінуванням даних. Це означає, що такі системи здійснюють обробку великих обсягів масивів. Для того, щоб розробити економічно ефективну систему, ефективне проектування модулів пам'яті є критичним процесом. Конфігурація модуля пам'яті, що вибирається розробником, повинна добре підходити для додатків. У зв'язку з цим, в даній роботі представлена методика для ефективної оптимізації вбудованої пам'яті. Для додатків, чутливих до обробки великих масивів даних, вся



обробка повинна здійснюватись за допомогою вбудованих модулів. При використанні таких модулів слід подбати про оптимізацію профілів для створення показників. За допомогою методу перетворення циклу, зменшується відповідний обсяг пам'яті для обробки масивів. Такий підхід призводить до дуже точної оцінки пам'яті та ефективної оптимізації. Ця методика може бути розширена, щоб відповідати високому рівню оптимізації пам'яті програм, що базується на характеристиках кеш-пам'яті. Впроваджена клієнтська частина механізму обробки мови, показала, що такий підхід дає зниження на 61,3% необхідної системної пам'яті відносно попередніх оцінок. Результати отримані при порівнянні двох підходів оцінки пам'яті та оптимізації з точки зору як програм, так і сегментів даних.

**Srilatha Chepure, Guru Rao C.V., Prabhu G. Benakop**

#### ТЕХНОЛОГИЯ УМЕНЬШЕНИЯ ПАМЯТИ ЧИПА ДЛЯ ВСТРАИВАЕМЫХ СИСТЕМ С ДОМИНИРОВАНИЕМ ДАННЫХ

В работе предложен новый подход к оптимизации размера памяти чипа для встраиваемых систем с доминированием данных. Это значит, что такие системы осуществляют обработку больших объемов информации. Для того, чтобы разработать экономически эффективную систему, эффективное проектирование модулей памяти является критическим процессом. Конфигурация модуля памяти выбираемая разработчиком должна хорошо подходить для приложений. В связи с этим, в данной работе представлена методика для эффективной оптимизации встроеной памяти. Для приложений, чувствительных к обработке больших массивов данных, вся обработка должна производиться с помощью встроенных модулей. При использовании таких модулей, следует позаботиться об оптимизации профилей для создания показателей. С помощью метода преобразования цикла, уменьшается соответствующий объем памяти для обработки массивов. Такой подход приводит к очень точной оценке памяти и эффективной оптимизации. Эта методика может быть расширена, чтобы соответствовать высокому уровню оптимизации памяти программы, базирующейся на характеристиках кэш-памяти. Внедренная клиентская часть механизма обработки речи, показала, что такой подход дает снижение на 61,3% необходимой системной памяти относительно предыдущих оценок. Результаты получены при сравнении двух подходов оценки памяти и оптимизации с точки зрения как программ, так и сегментов данных.

**Galina Shcherbacova, Victor Krylov, Oleg Logvinov**

#### THE PROBABILISTIC NEURAL NET NEURON'S NUMBER CALCULATIONS

The sub-gradient method of estimation of the number of the hidden layer neurons of a probabilistic neural network is suggested. This method allows evaluating the data compactness violation in  $\lambda$ -space. This evaluation based on the noise stability sub-gradient iterative optimization method. This method allows reducing the number of the hidden layer neurons and classification time.

**Галина Щербакова, Віктор Крилов, Олег Логвинов**

#### ВИЗНАЧЕННЯ КІЛЬКОСТІ НЕЙРОНІВ ЙМОВІРНІСНОЇ НЕЙРОННОЇ МЕРЕЖІ

Розроблено метод визначення кількості нейронів внутрішнього шару для ймовірнісної нейронної мережі на основі визначення кількості груп даних шляхом оцінки порушення локальної щільності розподілу даних в  $\lambda$ -просторі на основі завадостійкого субградієнтного ітеративного методу оптимізації. Розроблений метод дав змогу спростити структуру ймовірнісної нейронної мережі та знизити час класифікації.

**Галина Щербакова, Віктор Крилов, Олег Логвинов**

#### ОПРЕДЕЛЕНИЕ ЧИСЛА НЕЙРОНОВ ВЕРОЯТНОСТНОЙ НЕЙРОННОЙ СЕТИ

Разработан метод определения числа нейронов внутреннего слоя для вероятностной нейронной сети на основе определения количества групп данных путем оценки нарушения локальной плотности распределения данных в  $\lambda$ -пространстве на основе помехоустойчивого субградиентного итеративного метода оптимизации. Разработанный метод позволил упростить структуру вероятностной нейронной сети и снизить время классификации.

**Taras Grynychyshyn, Yaroslav Nikolaychuk**

**SIMULATIONS OF PROCESSORS FOR FORMING AND DIGITAL SIGNAL PROCESSING IN COMPUTER SYSTEMS WITH OPEN OPTICAL CHANNELS**

In this article a new methodology of non-redundant signal coding of bit-oriented information streams is proposed with the use of Galois codes, that considerably optimizes and improves the known methods of the digital data processing with an exposure and correction of errors, and effectively implements by specialized digital signal processors.

**Тарас Гринчишин, Ярослав Николайчук**

**МОДЕЛЮВАННЯ ПРОЦЕСОРІВ ФОРМУВАННЯ ТА ЦИФРОВОГО ОБРОБЛЕННЯ СИГНАЛІВ В КОМП'ЮТЕРНИХ СИСТЕМАХ З ВІДКРИТИМИ ОПТИЧНИМИ КАНАЛАМИ**

У даній статті запропонована нова методика безнадлишкового сигнального кодування біт-орієнтованих інформаційних потоків з використанням кодів поля Галуа, яка значно оптимізує і покращує відомі методи цифрового опрацювання даних з виявленням та виправленням помилок, та ефективно реалізується на основі запропонованих структур спецпроцесорів цифрового оброблення сигналів.

**Тарас Гринчишин, Ярослав Николайчук**

**МОДЕЛИРОВАНИЕ ПРОЦЕССОРОВ ФОРМИРОВАНИЯ И ЦИФРОВОЙ ОБРАБОТКИ СИГНАЛОВ В КОМПЬЮТЕРНЫХ СИСТЕМАХ С ОТКРЫТЫМИ ОПТИЧЕСКИМИ КАНАЛАМИ**

В данной статье предложена новая методика безизбыточного сигнального кодирования бит-ориентированных информационных потоков с использованием кодов поля Галуа, которая значительно оптимизирует и улучшает известные методы цифровой обработки данных с выявлением и исправлением ошибок, и эффективно реализуется на основе предложенных структур спецпроцессоров цифровой обработки сигналов.

**Yuriy Shapovalov, Bohdan Mandziy, Dariya Smal**

**FREQUENCY SYMBOLIC METHOD OF ASSESSMENT OF ASYMPTOTIC STABILITY OF LINEAR TIME-VARIABLE CIRCUITS**

The method of assessment of asymptotic stability of linear time-variable circuits by frequency symbolic approach is considered in this paper. The method consists of the replacing in criteria of stability the necessity of formation of bifrequency transfer function of circuit on the formation of a normal parametric transfer function in its inertial part. This leads to significant simplification of the method of assessment of a stability.

**Юрій Шаповалов, Богдан Мандзій, Дарія Смаль**

**ЧАСТОТНИЙ СИМВОЛЬНИЙ МЕТОД ОЦІНКИ АСИМПТОТИЧНОЇ СТІЙКОСТІ ЛІНІЙНИХ ПАРАМЕТРИЧНИХ КІЛ**

У статті розглянуто метод оцінки асимптотичної стійкості лінійних параметричних кіл частотним символьним методом. Метод полягає у заміні у критерії стійкості необхідного формування бічастотної передавальної функції кола на формування нормальної параметричної передавальної функції його інерційної частини. Це приводить до суттєвого спрощення методу оцінки стійкості.

**Юрий Шаповалов, Богдан Мандзий, Дарья Смаль**

**ЧАСТОТНЫЙ СИМВОЛЬНЫЙ МЕТОД ОЦЕНКИ АССИМПТОТИЧЕСКОЙ УСТОЧИВОСТИ ЛИНЕЙНЫХ ПАРАМЕТРИЧЕСКИХ ЦЕПЕЙ**

В статье рассмотрен метод оценки асимптотической устойчивости линейных параметрических цепей частотным символьным методом. Метод состоит в замене в критерии устойчивости необходимого формирования бичастотной передающей функции цепи на формирование нормальной параметрической функции ее инерционной части. Это приводит к существенному упрощению метода оценки устойчивости.

Prepare your paper according to the following requirements:

**Unconditional requirement - paper should not be published earlier.**

- (i) Suggested composition (frame) of paper:
  - Issue formulation stressing its urgent solving; evaluation of recent publications in the explored issue
  - short formulation of paper's purpose
  - description of proposed method (algorithm)
  - implementation and testing (verification)
  - conclusion.
- (ii) Use A4 (210 x 297 mm) paper. Size of paper has to be extended up to 6-8 pages.
- (iii) Please use main text two column formatting;
- (iv) A paper must have an abstract and some keywords;
- (v) Place a full list of references at the end of the paper. Please place the references according to their order of appearance in the text.
- (vi) An affiliation of each author is wanted.
- (vii) The text should be single-spaced. Use Times New Roman (11 points, regular) typeface throughout the paper.
- (viii) Equations should be placed in separate lines and numbered. The numbers should be within brackets and right aligned.
- (ix) The figures and tables must be numbered, have a self-contained caption. Figure captions should be below the figures; table captions should be above the tables. Also, avoid placing figures and tables before their first mention in the text.
- (x) As soon as you have the complete materials, the final versions should come electronically in MS Word'97 or MS Word 2000 format to the address [computing@computingonline.net](mailto:computing@computingonline.net).
- (xi) A hardcopy of your article is needed to be sent by regular mail for our publishing house.
- (xii) Please send short CVs (up to 20 lines) and photos of every author.
- (xiii) There is no other formatting required. The publishing department makes all rest formatting according to the publisher's rules.

**Journal Topics:**

- Algorithms and Data Structure
- Bio-Informatics
- Cluster and Parallel Computing, Software Tools and Environments
- Computational Intelligence
- Computer Modeling and Simulation
- Cyber and Homeland Security
- Data Communications and Networking
- Data Mining, Knowledge Bases and Ontology
- Digital Signal Processing
- Distributed Systems and Remote Control
- Education in Computing
- Embedded Systems
- High Performance Computing and GRIDS
- Image Processing and Pattern Recognition
- Intelligent Robotics Systems
- Internet of Things
- Standardization of Computer Systems
- Wireless Systems

Основні вимоги до подання і оформлення публікацій наукового журналу "Комп'ютинг":

**Безумовною вимогою є те, щоб стаття не була опублікована раніше!**

- (i) Наукові статті повинні мати такі необхідні елементи:
  - постановка проблеми у загальному вигляді та її зв'язок із важливими науковими чи практичними завданнями;
  - аналіз останніх досліджень і публікацій, в яких започатковано розв'язання даної проблеми і на які спирається автор, виділення невирішених раніше частин загальної проблеми, котрим присвячується означена стаття;
  - формулювання цілей статті (постановка завдання);
  - виклад основного матеріалу дослідження з повним обґрунтуванням отриманих наукових результатів;
  - висновки з даного дослідження і перспективи подальших розвідок у даному напрямку.
- (ii) Використовуйте А4 (210 x 297 mm) формат сторінки. Загальний розмір статті має містити 6-8 сторінок.
- (iii) Використовуйте двоколонкове форматування основного тексту;
- (iv) Стаття повинна обов'язково містити основний текст українською мовою, анотацію (написану на Англійській і Українській мовах) і список ключових слів;
- (v) В кінці статті розмістіть список літератури. Розміщуйте список літератури в порядку її цитування.
- (vi) Необхідною є інформація про наукові звання, титули та посади авторів.
- (vii) Текст повинен бути набраним одинарним інтервалом із використанням шрифту Times New Roman (11 points, regular).
- (viii) Формули повинні відділятися від основного тексту пустими стрічками а також пронумеровані у круглих дужках та відцентровані по правому краю.
- (ix) Таблиці і рисунки повинні бути пронумерованими. Заголовки рисунків розміщують під рисунком по центру. Заголовки таблиць розміщують по центру зверху таблиці.
- (x) Завершені версії статей повинні бути надісланими в електронному MS Word'97 або MS Word 2000 форматі за адресою [computing@computingonline.net](mailto:computing@computingonline.net).
- (xi) Просимо надсилати поштою роздруковані копії статей.
- (xii) В кінці кожної статті потрібно подати її назву, резюме (абстракт) і ключові слова англійською мовою.
- (xiii) Просимо надсилати нам короткі біографічні дані (до 20 рядків) і скановані фотографії кожного із авторів.
- (xiv) Видавництво здійснює остаточне форматування тексту згідно із вимогами друку.
- (xv) У закордонних читачів можуть виникнути проблеми при ознайомленні з працями на російській та українській мовах. В зв'язку з цим редакційна колегія просить авторів додатково прислати розширений реферат (резюме), щоб б містило дві сторінки тексту англійською мовою, і супроводжувалось заголовком, прізвищами та адресами авторів. Авторам рекомендується використовувати у рисунках статті позначення переважно англійською мовою, або давати переклад у дужках. Тоді у розширеному резюме можна буде посилатися на рисунки у основному тексті.

Тематика журналу:

- Алгоритми та структури даних
- Біо-інформатика
- Кластерні та паралельні обчислення, програмні засоби та середовище
- Обчислювальний інтелект
- Комп'ютерне та імітаційне моделювання
- Кібернетична безпека та захист від тероризму
- Обмін даними та організація мереж
- Видобування даних, бази знань та онтології
- Цифрова обробка сигналів
- Розподілені системи та дистанційне управління
- Освіта в комп'ютингу
- Вбудовувані системи
- Високопродуктивні обчислення та ГРІД
- Обробка зображень та розпізнавання шаблонів
- Інтелектуальні робототехнічні системи
- Інтернет речей
- Стандартизація комп'ютерних систем
- Безпроводні системи

Основные требования к подаче и оформлению публикаций научного журнала “Компьютинг”:

**Безусловное требование – чтобы статья не была опубликована ранее!**

- (i) Научные статьи должны иметь такие необходимые элементы:
  - постановка проблемы в общем виде и ее связь с важными научными или практическими задачами;
  - анализ последних исследований и публикаций, в которых начаты решения данной проблемы и на которые опирается автор, выделение нерешенных прежде частей общей проблемы, которым посвящается обозначенная статья;
  - формулирование целей статьи (постановка задачи);
  - изложение основного материала исследования с полным обоснованием полученных научных результатов;
  - выводы из данного исследования и перспективы дальнейших изысканий в данном направлении.
- (ii) Используйте A4 (210 x 297 mm) формат страницы. Общий размер статьи 6-8 страниц.
- (iii) Используйте двухколоночное форматирование основного текста;
- (iv) Статья должна обязательно содержать основной текст на Русском языке, аннотацию (написанную на Английском и Русском языках) и список ключевых слов;
- (v) В конце статьи разместите список литературы. Размещайте список литературы в порядке ее цитирования.
- (vi) Необходима информация о научных званиях, титулах и должностях авторов.
- (vii) Текст должен быть набранным одинарным интервалом с использованием шрифта Times New Roman (11 points, regular).
- (viii) Формулы должны отделяться от основного текста пустыми строками, а также пронумерованные в круглых скобках и отцентрованные по правому краю.
- (ix) Таблицы и рисунки должны быть пронумерованными. Заголовки рисунков размещают под рисунком по центру. Заголовки таблиц размещают по центру сверху таблицы.
- (x) Завершенные версии статей должны быть присланы в электронном MS Word'97 или MS Word 2000 формате по адресу [computing@computingonline.net](mailto:computing@computingonline.net).
- (xi) Просим присылать распечатанные копии статей по почте.
- (xii) В конце каждой статьи необходимо предоставить ее название, резюме (абстракт) и ключевые слова на английском языке.
- (xiii) Просим присылать нам короткие биографические данные (до 20 строчек) и сканированные фотографии каждого из авторов.
- (xiv) Издательство осуществляет окончательное форматирование текста в соответствии с требованиями печати.
- (xv) У зарубежных читателей могут возникнуть проблемы при ознакомлении с трудами на русском и украинском языках. В связи с этим редакционная коллегия просит авторов дополнительно прислать расширенный реферат (резюме), который содержал бы две страницы текста на английском языке, и сопровождался заголовком, фамилиями и адресами авторов. Авторам рекомендуется использовать в рисунках статьи обозначения преимущественно на английском языке, или давать перевод в скобках. Тогда в расширенном резюме можно будет посылаться на рисунки в основном тексте.

Тематика журнала:

- Алгоритмы и структуры данных
- Био-информатика
- Кластерные и параллельные вычисления, программные средства и среды
- Вычислительный интеллект
- Компьютерное и имитационное моделирование
- Кибернетическая безопасность и защита от терроризма
- Обмен данными и организация сетей
- Добыча данных, базы знаний и онтологии
- Цифровая обработка сигналов
- Распределенные системы и дистанционное управление
- Образование в компьютеринге
- Встраиваемые системы
- Высокопроизводительные вычисления и ГРИД
- Обработка изображений и распознавание шаблонов
- Интеллектуальные робототехнические системы
- Интернет вещей
- Стандартизация компьютерных систем
- Беспроводные системы